

User's manual

Roller Stand

30166



Illustration similar, may vary depending on model

Please read and follow the operating instructions and safety information prior to initial operation.

Technical changes reserved!

Illustrations, functional steps, and technical data may deviate insignificantly due to continuous further developments.



The information contained in this document may alter at any time without prior notice. No part of this document may be copied or otherwise duplicated without prior written consent. All rights reserved. WilTec Wildanger Technik GmbH cannot be held liable for any possible mistakes in this operating manual, nor in the diagrams and illustrations shown.

Although WilTec Wildanger Technik GmbH has made every possible effort to ensure that this operating manual is complete, accurate, and up-to-date, errors cannot be ruled out entirely.

If you have found an error or wish to suggest an improvement, we look forward to hearing from you. Send us an e-mail to:

service@wiltec.info

or use our contact form:

<https://www.wiltec.de/contacts/>

The most recent version of this manual in several languages can be found in our online shop:

<https://www.wiltec.de/docsearch>

Our postal address is:

WilTec Wildanger Technik GmbH
Königsbenden 12
52249 Eschweiler Germany

To return your goods for exchange, repair, or other purposes, please use the following address. Attention! To allow for a trouble-free complaint or return, it is important to contact our customer service team before returning your goods.

Retourenabteilung
WilTec Wildanger Technik GmbH
Königsbenden 28
52249 Eschweiler Germany

E-mail: **service@wiltec.info**
Tel: +49 2403 55592-0
Fax: +49 2403 55592-15

Introduction

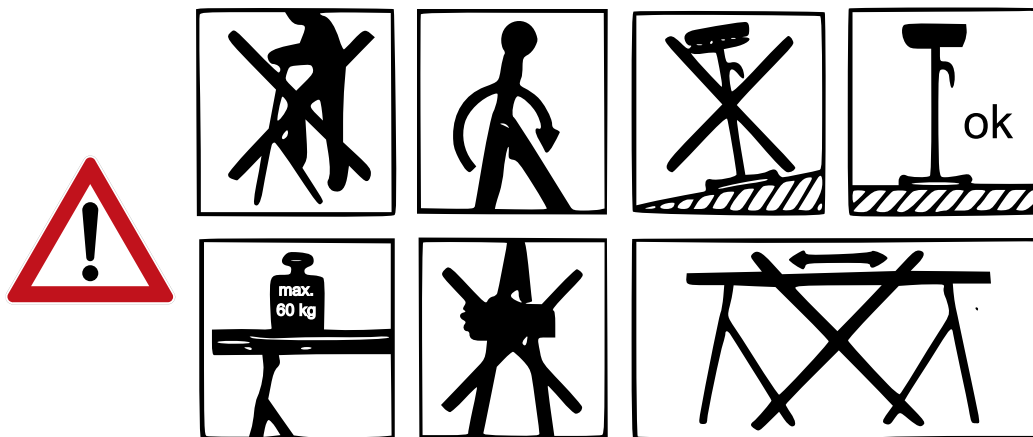
Thank you for choosing to purchase this quality product. To minimise the risk of injury, we ask you to always take some basic safety precautions when using this product. Please read this operating manual carefully and make sure that you understand it.

Keep these operation instructions in a safe place.

Range of application

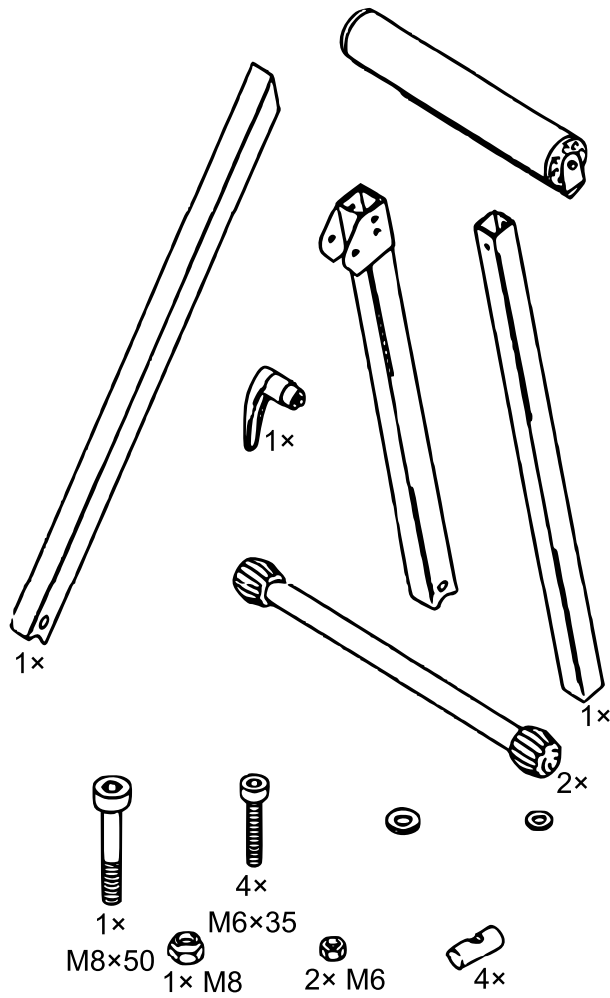
The roller stand is optimally suitable in case you wish to lead in or out long and heavy pieces. Its height, adjusted continuously, is easy to adapt to the work height present. The rubber bases make for a safe stand during work.

Safety instructions

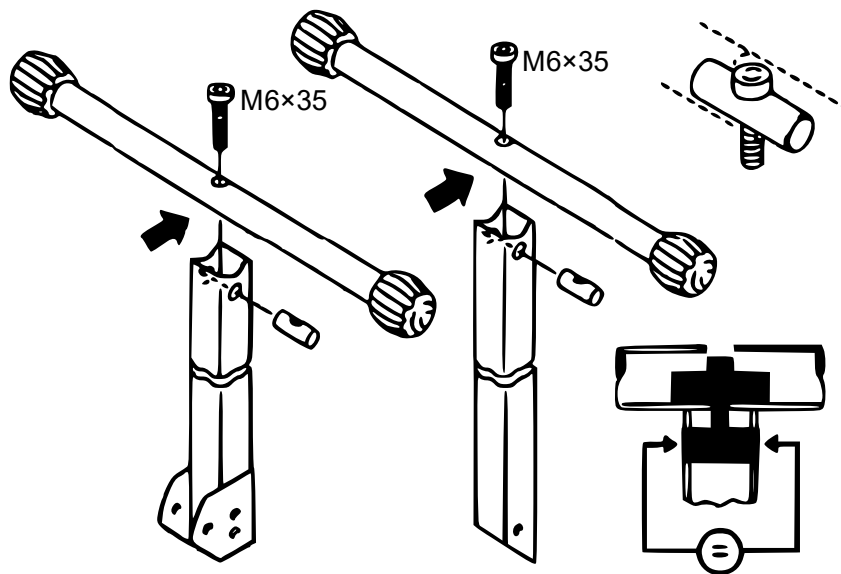


- Only use the stand for its intended use. Never use the roller stand as scaffold, ladder, stool, etc.
- Always concentrate on your work.
- Keep your working area tidy, and well illuminated. A cluttered and poorly lit workplace increases the risk of accidents.
- Never perform working motions towards your body.
- Always obey the manufacturer's specifications.
- Before work, check the device and tools for functionality. Never work using damaged or blunt tools.
- Wear suitable protective clothing (protective glasses, respiratory mask, work gloves, work shoes, etc.).
- Avoid wearing wide clothes and securely tie long hair together.
- Keep unauthorised persons away from your working area.
- Do not exceed the maximum charge capacity of 60 kg.
- Always clamp the piece.
- Never remove the protective installations present.
- Before every use, check the screw connections and handle screws and tighten them if necessary.
- Make sure that the roller stand and you have a safe position.
- Only place the roller stand onto a flat surface.

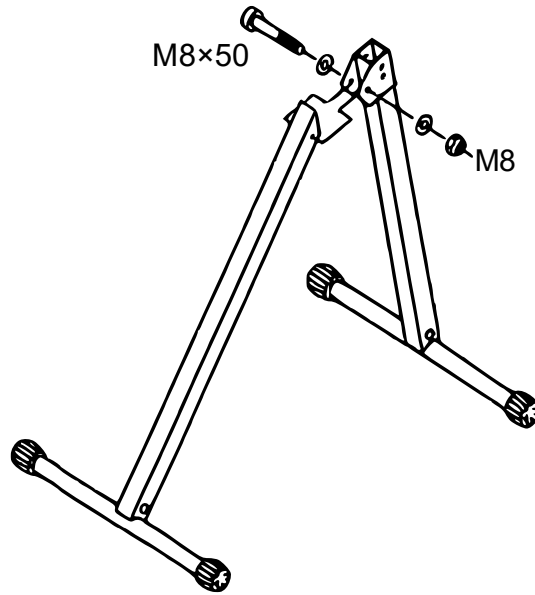
Parts list



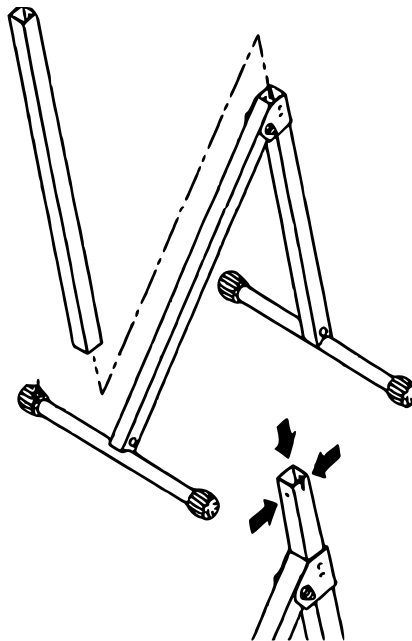
Step 1

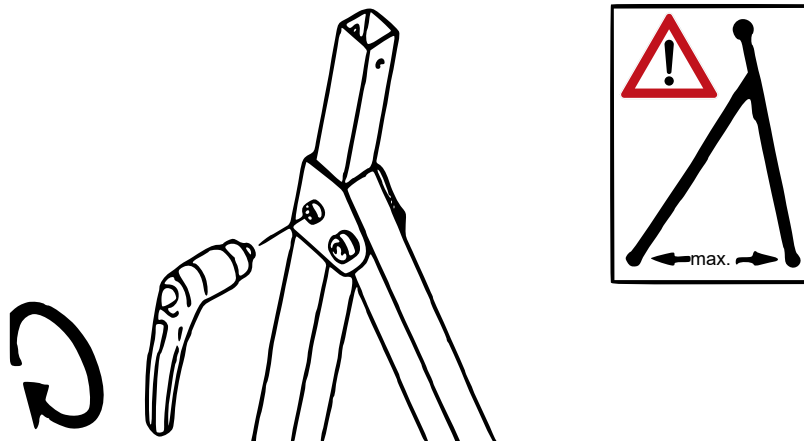


Step 2

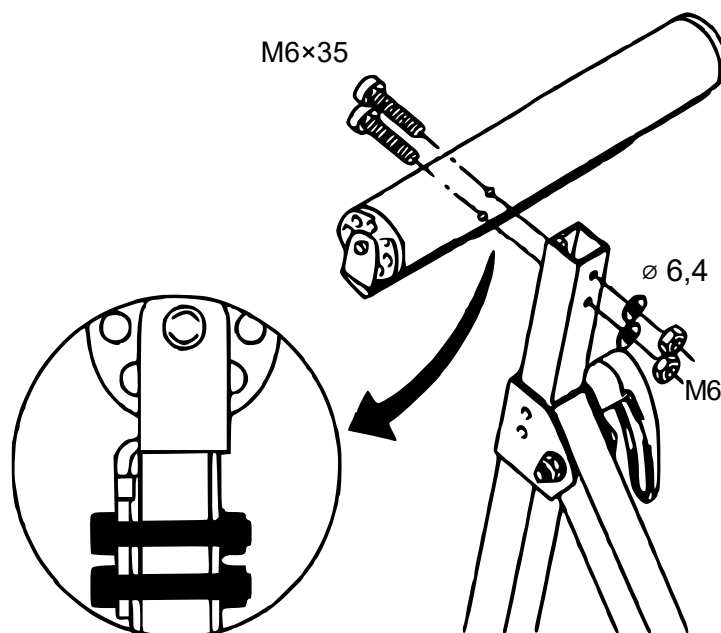


Step 3



Step 4**Attention!**

Before use, completely fold the roller stand apart.

Step 5**After use**

- To fold the stand, push the stand base inwards.
- Keep the stand in a dry spot.
- Do not clean it with aggressive chemicals.

Important Note:

Reproduction and any commercial use (of parts) of this operating manual, requires a written permission of WilTec Wildanger Technik GmbH.