

User's manual

Circular Saw Blade Sharpener

30167

XPO the **tool**
experts



Illustration similar, may vary depending on model

Please read and follow the operating instructions and safety information prior to initial operation.

Technical changes reserved!

Illustrations, functional steps, and technical data may deviate insignificantly due to continuous further developments.



The information contained in this document may alter at any time without prior notice. No part of this document may be copied or otherwise duplicated without prior written consent. All rights reserved. WilTec Wildanger Technik GmbH cannot be held liable for any possible mistakes in this operating manual, nor in the diagrams and illustrations shown.

Although WilTec Wildanger Technik GmbH has made every possible effort to ensure that this operating manual is complete, accurate, and up-to-date, errors cannot be ruled out entirely.

If you have found an error or wish to suggest an improvement, we look forward to hearing from you.

Send us an e-mail to:

service@wiltec.info

or use our contact form:

<https://www.wiltec.de/contacts/>

The most recent version of this manual in several languages can be found in our online shop:

<https://www.wiltec.de/docsearch>

Our postal address is:

WilTec Wildanger Technik GmbH
Königsbenden 12
52249 Eschweiler Germany

To return your goods for exchange, repair, or other purposes, please use the following address. Attention! To allow for a trouble-free complaint or return, it is important to contact our customer service team before returning your goods.

Retourenabteilung
WilTec Wildanger Technik GmbH
Königsbenden 28
52249 Eschweiler Germany

E-mail: **service@wiltec.info**

Tel: +49 2403 55592-0

Fax: +49 2403 55592-15



Introduction

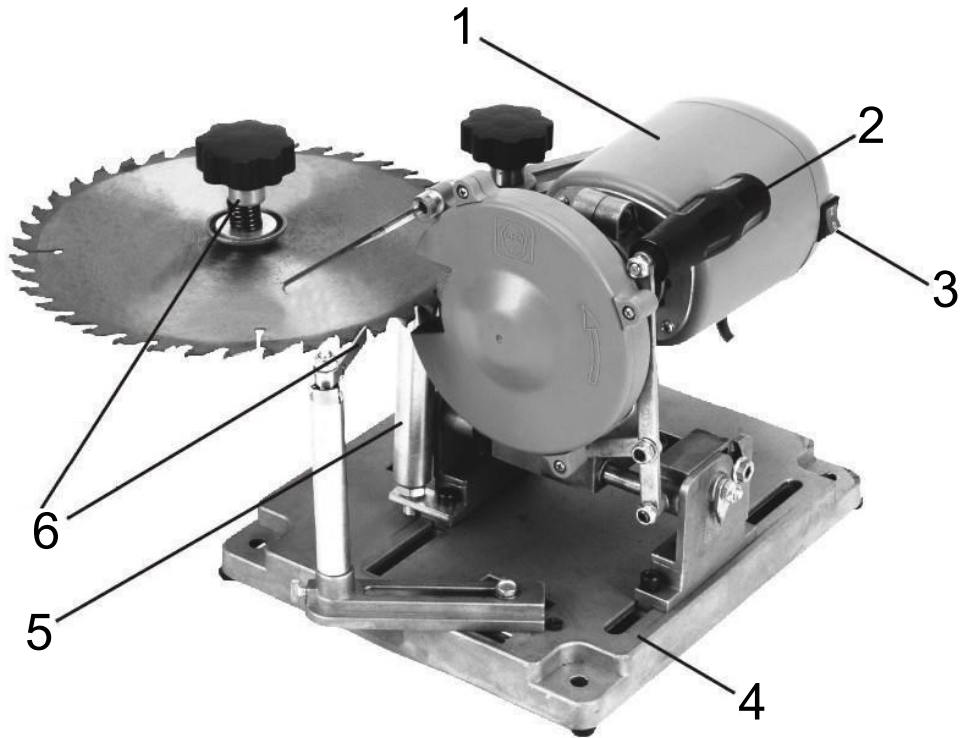
Thank you for choosing to purchase this quality product. To minimise the risk of injury, we ask you to always take some basic safety precautions when using this product. Please read this operating manual carefully and make sure that you understand it.

Keep these operation instructions in a safe place.

Safety instructions

- Before commissioning the device, fix all covers and safety equipment.
- Before commissioning the device, check it for damages.
- Before commissioning the device, make sure that the indications on the nameplate match the specifications of the local mains.
- Before using the device, check the power cord and plug for damage.
- Only use the device with the grinding disc suitable for the individual task.
- When using the device, respect all safety instructions. For your proper safety and for the safety of others, respect these instructions before using the device.
- Never remove deliberately any mounted protective equipment.
- This circular saw blade sharpener is only suitable to sharpen saw blades of the admissible dimensions.
- Never use the device during rain and in damp or wet zones. Refer to the technical specifications.
- Do not remove any protective equipment and do not touch any moving or hot piece.
- Keep children away from the device.
- Only operate the device within the rated power range. Do not overcharge the device.
- Recycle the packaging material.
- Any structural or other modification of the device leads to the manufacturer's responsibility expiring.
- Do not use the device when being tired or under the influence of alcohol, drugs, or medicine.
- Abide by the applicable occupational health and safety regulations and accident prevention regulations.
- After switching off, wait for the engine to come to a standstill.
- Before use, make sure that the protective equipment works properly.
- You should replace defective protective equipment immediately.
- Before use, check that all tools and wrenches have been removed.
- Keep this manual for future reference.
- When leaving your workplace, always switch the device off and pull the plug out.
- In case of an emergency, immediately switch off the device and pull out the plug.
- **Attention!** This sharpener may only be used according to its intended purpose and must be equipped with a grinding disc suiting the material to be sharpened.
- Before any maintenance or cleaning job, pull out the plug.
- When transporting the device, apply the transport equipment.
- Only use authorised extension cords. The length of a cable of a cross section of 1.5 mm² / 2.5 mm² must not exceed 50 m / 100 m.
- Do not use the device in case the power cord is damaged. Never use the power cord to carry the device or to plug the plug out.
- The sharpener must be supplied and protected via a residual current circuit breaker with a tripping residual current of no more than 30 mA.
- Protect the power cord from sharp edges and caustic liquids.
- Always wear a dust mask.
- Do not use the device near flammable liquids or gases. **Fire and explosion hazard!**
- Wear appropriate workwear. When you work outdoors, it is advisable that you wear work gloves, non-skid shoes, tight-fitting clothes, and protective glasses.
- During operation, never reach your hands or other objects into the working range of the device.

Main parts



Nº	Name	Nº	Name
1	Motor	4	Base plate
2	Operation lever	5	Sawblade counterholder
3	On/off switch	6	Sawblade clamping device

Technical specifications

Power (W)	110
Power supply	230 V, 50 Hz
Idle speed (1/min)	5,300
Disc diameter (mm)	100
Sawblade diameter (mm)	90–400
Weight (kg)	5.7

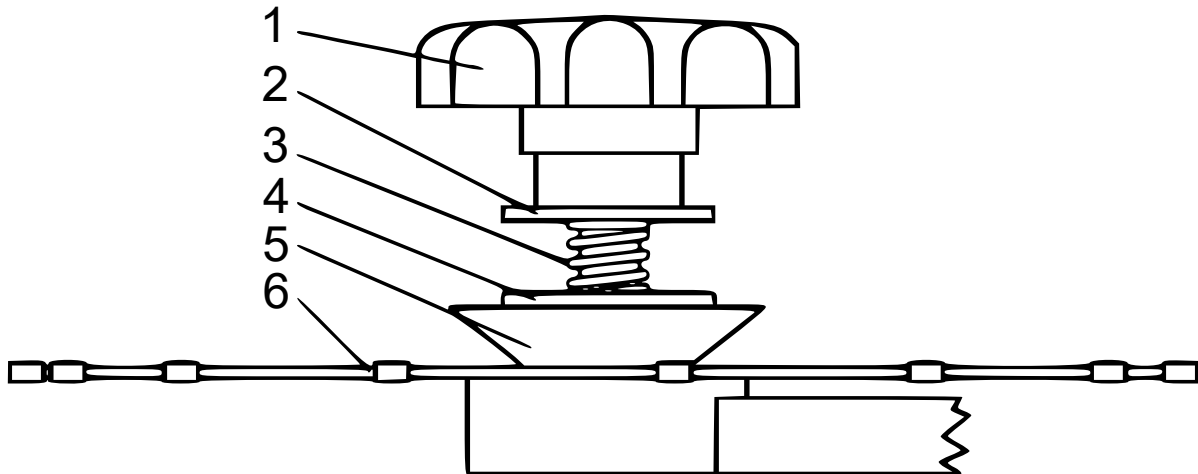
Assembly

The sawblade sharpener is delivered pre-assembled to the greatest possible extent. After attaching the protective screen, the device is immediately operational.

Inserting the sawblade

1. Open the clamping device of the device to remove the washers and centring piece.
2. Insert the sawblade in the desired direction and attach it with the help of the clamping device pieces in reverse order.

The following drawing has some explanations on inserting the sawblade:

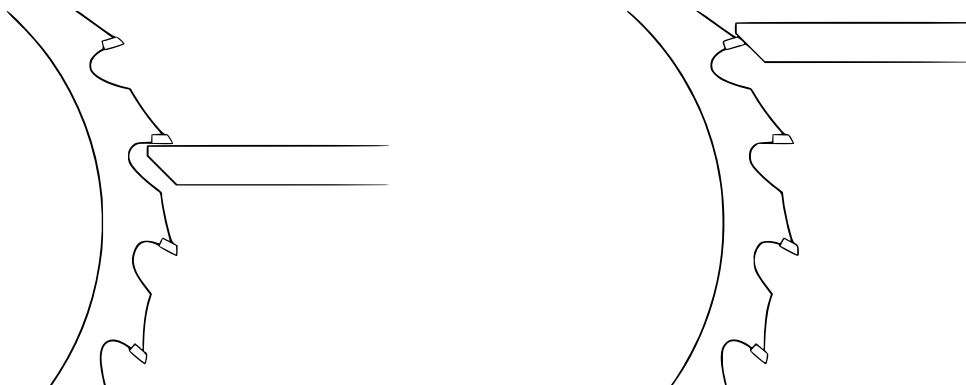


Nº	Name	Nº	Name
1	Clamping screw	4	Washer
2	Washer	5	Centring piece
3	Spring	6	Sawblade

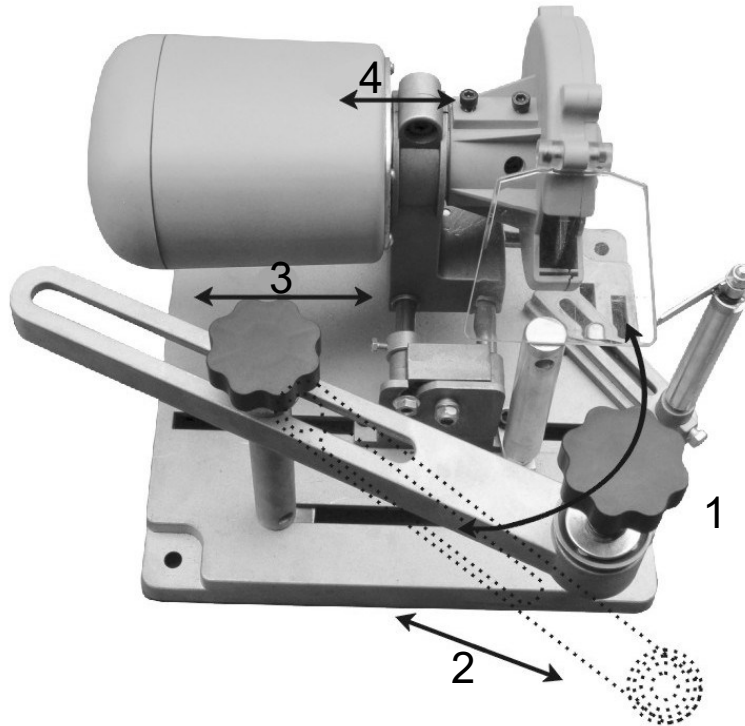
Grinding and adjusting the device

The position of the sawblade must be adjusted accordingly. When doing so, you must distinguish between two applications: sharpening of the front of a tooth, sharpening of the back of a tooth.

Adjusting the device to sharpen the front of a tooth Adjusting the device to sharpen the back of a tooth

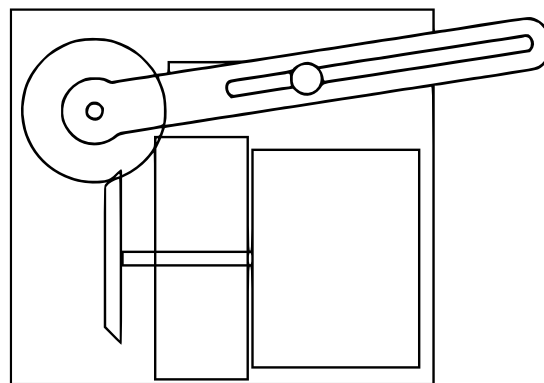


Depending on the size of a sawblade, you will must fine-adjust the device:

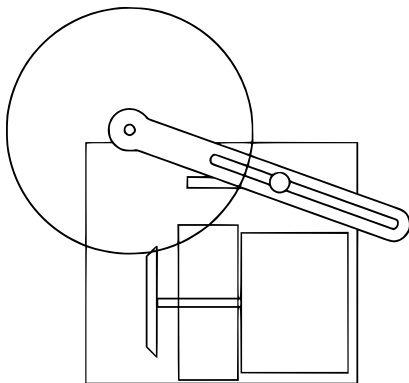


Loose the clamping nut (1) to extend and turn the holding arm. In this way, you will also be able to adjust the base plate and mandril supporting the holding arm. Furthermore, the motor can also be re-positioned if the sawblade is even larger. The large number of adjustments possible ensures the proper position of every sawblade of a diameter between 90 mm and 400 mm.

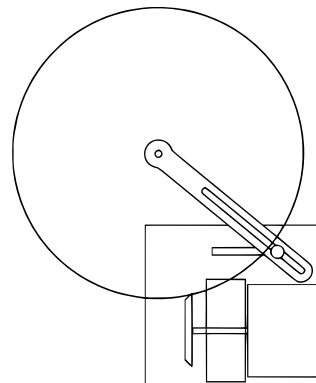
Exemplified adjustments



90 mm sawblade



230 mm sawblade



400 mm sawblade



Commissioning

- Make sure that the device has been positioned safely and fixed properly before using it. Connect the power cord to a 230 V isolated ground receptacle. Always wear protective glasses and work gloves when using the device and make sure that there are no obstacles or similar object within the working range so that the operation will be trouble-free and safe. Insert the sawblade into the sharpener as described above and press the on/off switch to begin work.
- During operation, make sure to know where the extension cord is lying. Before operation, you should lay the cord so that it cannot get into the cutting range during operation. **Improper use causes great danger of injuries!**
- Slowly approach the sawblade to be sharpened with the grinding wheel and do not exert any pressure while grinding, but rather let the grinding wheel slowly run up to the saw blade. Work with caution and care. The grinding device and the teeth of the sawblades represent a hazard and may lead to injuries. Sharpen one tooth after the other.
- It is advisable to begin by sharpening the front of the teeth, then to re-adjust the device to sharpen the back of the teeth.

Maintenance

- After work, pull out the plug, thoroughly clean the device, and check it for damage. Check if the grates are free. Remove contaminations to ensure the correct operation of the device. Only maintain the device after pulling out the plug.
- Only operate the device after checking all components for damage. Components and safety equipment damaged must be replaced before any further operation.
- Regularly and thoroughly clean the device, e.g., with a brush. It is important to regularly clean the device to maintain its performance and service life. If possible, do not use detergents, as those might contain solvents that could damage the plastic parts of the device. Do not use water for cleaning.
- Regularly check the screws and nuts of the device and re-tighten them if necessary. The thread of the motor shaft should be lubricated regularly.
- In case the motor runs irregularly or does not start any longer, contact an expert to have the carbon brushes of the motor checked and replaced, if necessary.

Disposal regulations

EU guidelines regarding the disposal of scrap electric appliances (WEEE, 2012/19/EU) were implemented in the law related to electrical and electronic equipment and appliances.

All WilTec electric devices that fall under the WEEE regulations are labelled with the crossed-out wheeled waste bin logo. This logo indicates that this electric equipment must not be disposed with domestic waste.

The company WilTec Technik GmbH has been registered in the German registry EAR under the WEEE-registration number DE45283704.

Disposal of used electrical and electronic appliances (intended for use in the countries of the European Union and other European countries with a separate collection system for these appliances).

The logo on the item or on its packaging points out that this item must not be treated as normal household waste but must be disposed of at a recycling collection point for electronic and electrical waste equipment. By contributing to the correct disposal of this item you help protect the environment and the health of fellow human beings. The environment and the health of living beings are threatened by inappropriate disposal.



Recycling materials helps reduce the consumption of raw materials.

Additional information on recycling this item can be provided by your local community, municipal waste disposal facilities or the shop where this item was purchased.

Address:
WilTec Wildanger Technik GmbH
Königsbenden 12/ 28
D-52249 Eschweiler

Important note:

The reprint or reproduction, even of excerpts, and any commercial use, even in part of this instruction manual requires the written permission of the WilTec Wildanger Technik GmbH.