

Operation Manual

Manual Cable Winch

30210–30215, 30157

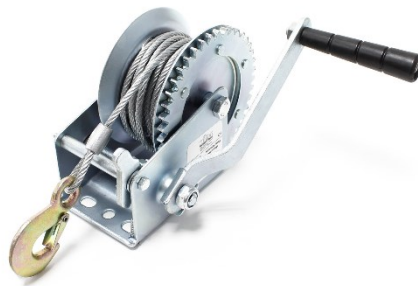


Illustration similar, may vary depending on model

Please read and follow the operating instructions and safety information prior to initial operation.

Technical changes reserved!

Illustrations, functional steps, and technical data may deviate insignificantly due to continuous further developments.



The information contained in this document may alter at any time without prior notice. No part of this document may be copied or otherwise duplicated without prior written consent. All rights reserved. WilTec Wildanger Technik GmbH cannot be held liable for any possible mistakes in this operating manual, nor in the diagrams and illustrations shown.

Although WilTec Wildanger Technik GmbH has made every possible effort to ensure that this operating manual is complete, accurate, and up-to-date, errors cannot be ruled out entirely.

If you have found an error or wish to suggest an improvement, we look forward to hearing from you. Send us an e-mail to:

service@wiltec.info

or use our contact form:

<https://www.wiltec.de/contacts/>

The most recent version of this manual in several languages can be found in our online shop:

<https://www.wiltec.de/docsearch>

Our postal address is:

WilTec Wildanger Technik GmbH
Königsbenden 12
52249 Eschweiler Germany

To return your goods for exchange, repair, or other purposes, please use the following address. Attention! To allow for a trouble-free complaint or return, it is important to contact our customer service team before returning your goods.

Retourenabteilung
WilTec Wildanger Technik GmbH
Königsbenden 28
52249 Eschweiler Germany

E-mail: **service@wiltec.info**
Phone: +49 2403 55592-0
Fax: (+49 2403 55592-15)



Introduction

Thank you for choosing to purchase this quality product. To minimise the risk of injury, we ask you to always take some basic safety precautions when using this product. Please read this operating manual carefully and make sure that you understand it.

Keep these operation instructions in a safe place.

Safety instructions

Read all safety instructions making sure that you understand them before using this device. Not obeying the safety instructions of this user's manual can lead to serious injuries.

- Keep your working area tidy and well illuminated. A cluttered and poorly lit workplace increases the risk of accidents.
- Wear appropriate clothing. Do not wear loose clothing or jewellery that could get caught in moving parts.
- It is recommended to wear non-skid work gloves and shoes. Long hair should be tied securely together.
- Only use the corresponding device or tool to do a job within the range of performance appropriate.
- Only use the device for application that it has been designed for. The manual cable winch will work better and safer if only used for applications that it is intended to.
- Do not use the device when being tired or under the influence of alcohol, drugs, or medicine.
- Do not stoop down too far. Ensure a safe stand and keep your balance.
- Keep a safety distance while using the manual cable winch. Make sure to keep a safe distance to the operation zone of the winch, the winch itself, and the cable when this has been put under tension.
- Keep third party, especially children and animals, away from the work zone.
- Never allow children to use the device. Children should be supervised to ensure that they do not play with the device.
- Never move the winch by pulling the cable.
- Never escalate the device or cable during operation.
- Only transport the winch with both hands.

Before use

- Before using the winch, thoroughly check all parts to make sure that the device will operate correctly and as intended.
- Before operation, check the orientation of the winch. Furthermore, check it for stuck or broken moving parts, damaged fixations, and any other condition that could impair the correct operation.
- Regularly check the cable for sign of damage, tear, and wear. Have a damaged cable replaced by a qualified person.

Instructions on safe use

- **Important!** Never pull charges whose weight exceeds the maximum capacity of the winch.
- Do not try to pull stationary or fixed charges.
- Do not apply lateral force on the charge.
- The manual cable winch is not appropriate for lifting charges.
- Never use the cable winch to transport persons.
- The lock switch should be fully engaged when the winch is not used.
- Using accessories not recommended by the manufacturer or specified by the manual can lead to injuries or damages.

- Keep your hands and any other objects away from the gear or cable drum. Always wear work gloves when using the winch.
- The instructions of this user's manual cannot cover all circumstances or situations that could happen during use of the winch. Therefore, always use the winch foresight and deliberation.
- **Attention!** The user is responsible for any damage or injury caused by improper use of the winch.

Repair, maintenance, and storage

- Repairs can only be made by a qualified person and with original spare parts to avoid any danger for the user.
- Never try to disassemble the winch.
- Make sure that the product is maintained properly and cleaned to ensure better and safer performance.
- Regularly check all moving parts, fixing screws, and nuts before use. Re-tighten them if necessary.
- Regularly lubricate the cable and hook with a light lubricant. Grease the toothed wheels every 6 months. To do so, use a high-quality waterproof lubricant.
- Always keep the handles clean, dry, and free from oil and grease.
- The winch must be stored in a dry location. Always keep the winch out of children's reach.
- Before storing the device for a longer time, lubricate the axes and toothed wheels.

Parts

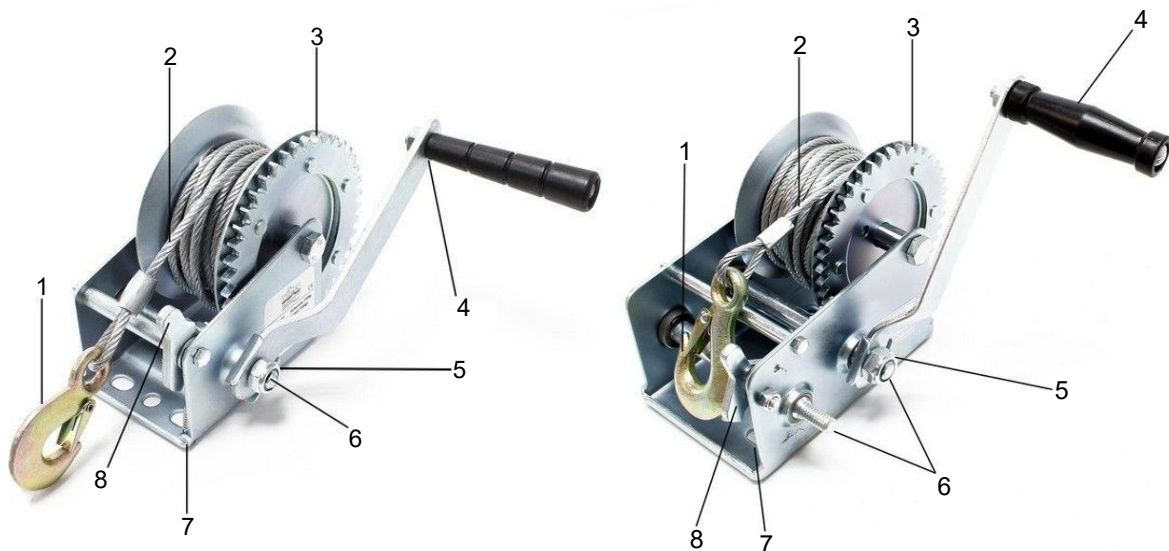


Illustration similar, may vary depending on model

Nº	Name	Nº	Name
1	Hook	5	Nut (M10×1.75)
2	Cable or belt (30215)	6	Axle bolts
3	Cable drum	7	Base
4	Crank	8	Lock switch

Technical specifications

SKU	Max. capacity (kg)	Cable length (m)	Cable diameter (mm)	Transmission
30210	350	10	4	3:2:1
30211	550	10	4	4:1:1
30212	900	10	5	4:1/8:1
30213	1100	10	5.5	4:1/8:1
30214	540	10	4	4:2:1
30215	550	7	5	4:1:1
30157	720	10	5	4:1

Fixing the winch

1. Fix the winch to the corresponding pilot holes of the base with the help of appropriate bolts and washers. Make sure that the surface is safe and resistant.
2. Mount the crank to the winch and secure it with the nuts. When doing so, make sure that there is enough room to turn the crank.
- **Attention!** The winch models 30212 and 30213 have two axle bolts to place the crank. Fix them considering the desired transmission ratio (**see Fig. 1**).

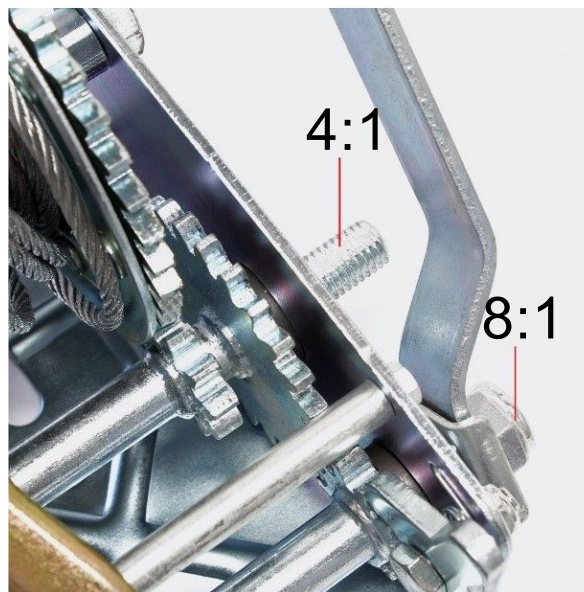


Figure 1

Operation

Attention! When using the winch, wear work gloves.

1. Turn the crank counter-clockwise to unroll the cable from the drum. To unroll the cable, do not only pull it; this would activate the lock. Make sure that 4–6 cable turns remain on the drum to prevent the cable from snapping. Never unroll the cable fully when it has been put under tension.
2. Safely fix the hook to the object to be pulled, making sure that the safety clap is safely hitched.
3. Adjust the lock switch according to the job to do (pulling or unrolling, **see Fig. 2**). The lock must be fully hitched in its respective end position. Never use the winch without the lock being engaged.

4. Turn the crank clockwise to pull the object, turn it counter-clockwise to unroll the cable.
5. Make sure that the cable is rolled up properly onto the drum. The cable must never form knots or nooses when being rolled up.
6. As soon as the object to be pulled has reached its desired spot, secure it from rolling away or sliding away. It is after securing it that you can slightly remove the tension of the cable to remove the hook.



Fig. 2

Rolling the cable up

To roll the cable up correctly, it needs to be put under slight tension. To do so, hold the cable with one hand (do not forget to wear protective gloves) and roll it up with the other hand. Do make sure that the lock switch is engaged.

Important Note:

Reproduction and any commercial use (of parts) of this operating manual, requires a written permission of WilTec Wildanger Technik GmbH.