

User's manual

Dump Cart

30261, 30329



Illustration similar, may vary depending on model

Please read and follow the operating instructions and safety information prior to initial operation.

Technical changes reserved!

Illustrations, functional steps, and technical data may deviate insignificantly due to continuous further developments.



The information contained in this document may alter at any time without prior notice. No part of this document may be copied or otherwise duplicated without prior written consent. All rights reserved. WilTec Wildanger Technik GmbH cannot be held liable for any possible mistakes in this operating manual, nor in the diagrams and illustrations shown.

Although WilTec Wildanger Technik GmbH has made every possible effort to ensure that this operating manual is complete, accurate, and up-to-date, errors cannot be ruled out entirely.

If you have found an error or wish to suggest an improvement, we look forward to hearing from you. Send us an e-mail to:

service@wiltec.info

or use our contact form:

<https://www.wiltec.de/contacts/>

The most recent version of this manual in several languages can be found in our online shop:

<https://www.wiltec.de/docsearch>

Our postal address is:

WilTec Wildanger Technik GmbH
Königsbenden 12
52249 Eschweiler Germany

To return your goods for exchange, repair, or other purposes, please use the following address. Attention! To allow for a trouble-free complaint or return, it is important to contact our customer service team before returning your goods.

Retourenabteilung
WilTec Wildanger Technik GmbH
Königsbenden 28
52249 Eschweiler Germany

E-mail: **service@wiltec.info**
Tel: +49 2403 55592-0
Fax: +49 2403 55592-15



Introduction

Thank you for choosing to purchase this quality product. To minimise the risk of injury, we ask you to always take some basic safety precautions when using this product. Please read this operating manual carefully and make sure that you understand it.
Keep these operation instructions in a safe place.

Safety instructions

- Regularly tighten all nuts properly.
- The cart is not suitable for transporting human beings or animals.
- Using the appropriate means, make sure that the load cannot shift during transport.
- Ensure even distribution of the load.
- Avoid using the trailer in strong winds and storms. **Tipping hazard!**
- Do not use the trailer on too steep slopes. **Tipping hazard!**
- Regularly check the tyre pressure.
- Do not under no circumstances exceed the max. admissible charge.
- Only have the trailer serviced in a specialist workshop and repaired only with original spare parts.

Parts list

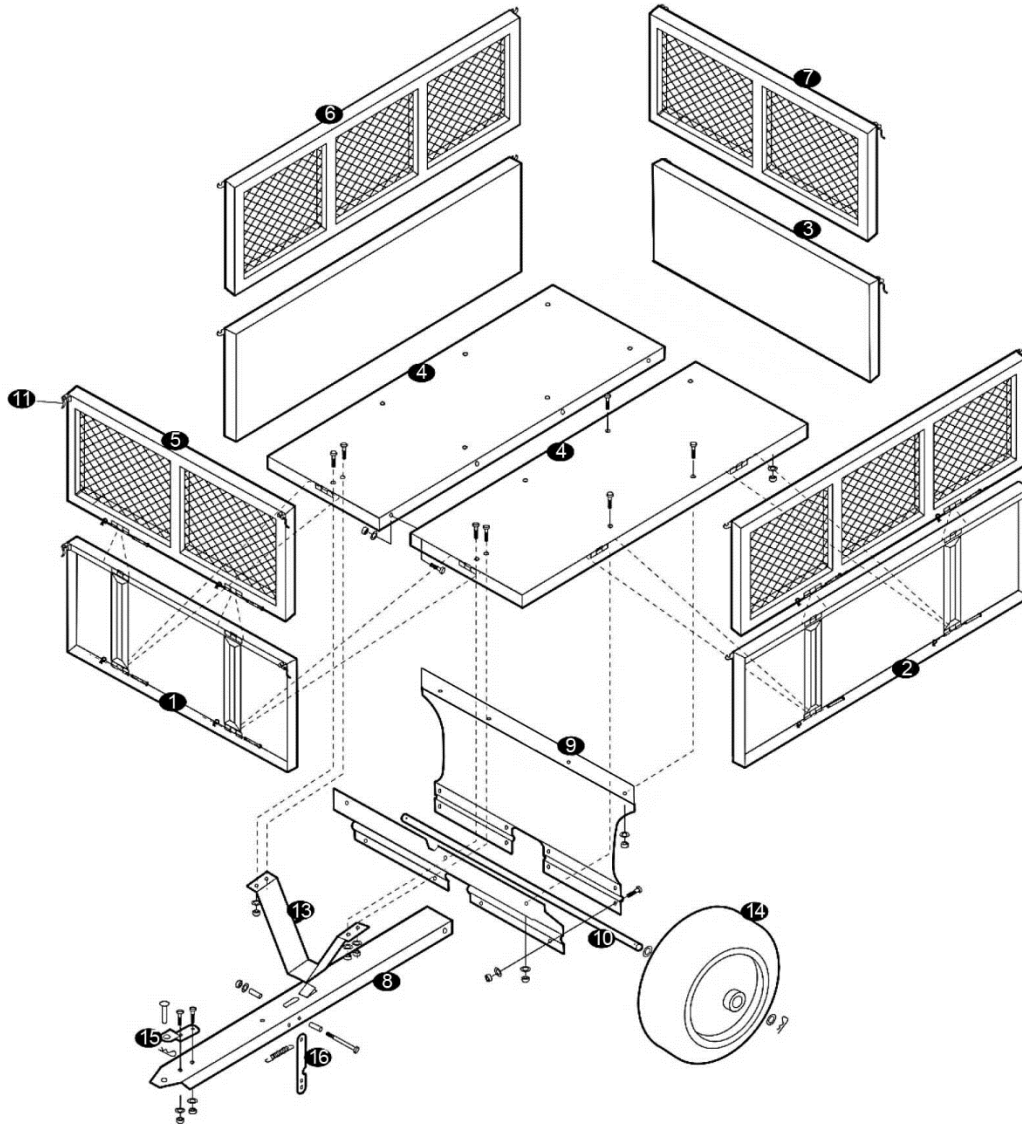
Main components

№	Name	Qty.	№	Name	Qty.
1	Front panel	1	9	Wheel axle	2
2	Side panel	2	10	Wheel axle bar	1
3	Back panel/rear door	1	11	Tap	8
4	Base plate	2	13	Trailer support	1
5	Netted front panel	1	14	Tyre	2
6	Netted side panel	2	15	Hitch pin bracket	1
7	Netted rear panel	1	16	Latch	1
8	Tow coupling	1			

Screwing pieces

№	Name	Qty.	№	Name	Qty.
17	Lock nut	1	23	Lock rod M12	1
18	Hex bolts M8×15	17	24	Threaded nuts M8	31
19	Hex bolts M8×20	12	25	B bolt	1
20	Hex bolts M8×20	2	26	Spacer M20	2
21	Hex bolts M8×90	1	27	Cotter pin	2
22	Lock rod M8×80	16	28	R bolt	16

Assembly and exploded view



Technical specifications

		30261	30329
Size (cm)	Loading space (L×W)	110 × 71	145 × 78 × 31 (+18)
	Overall size (L×W×H)	114 × 76 × 30	200 × 78 × 94.5
Max. capacity (kg)		300	300
Weight (kg)		55.3	55.3

Important Note:

Reproduction and any commercial use (of parts) of this operating manual, requires a written permission of WilTec Wildanger Technik GmbH.