

User's manual

Caravan Dolly/Trailer Dolly 30263



Illustration similar, may vary depending on model

Please read and follow the operating instructions and safety information prior to initial operation.

Technical changes reserved!

Illustrations, functional steps, and technical data may deviate insignificantly due to continuous further developments.



The information contained in this document may alter at any time without prior notice. No part of this document may be copied or otherwise duplicated without prior written consent. All rights reserved. WilTec Wildanger Technik GmbH cannot be held liable for any possible mistakes in this operating manual, nor in the diagrams and illustrations shown.

Although WilTec Wildanger Technik GmbH has made every possible effort to ensure that this operating manual is complete, accurate, and up-to-date, errors cannot be ruled out entirely.

If you have found an error or wish to suggest an improvement, we look forward to hearing from you. Send us an e-mail to:

service@wiltec.info

or use our contact form:

<https://www.wiltec.de/contacts/>

The most recent version of this manual in several languages can be found in our online shop:

<https://www.wiltec.de/docsearch>

Our postal address is:

WilTec Wildanger Technik GmbH
Königsbenden 12
52249 Eschweiler Germany

To return your goods for exchange, repair, or other purposes, please use the following address. Attention! To allow for a trouble-free complaint or return, it is important to contact our customer service team before returning your goods.

Retourenabteilung
WilTec Wildanger Technik GmbH
Königsbenden 28
52249 Eschweiler Germany

E-mail: **service@wiltec.info**
Tel: +49 2403 55592-0
Fax: +49 2403 55592-15



Introduction

Thank you for choosing to purchase this quality product. To minimise the risk of injury, we ask you to always take some basic safety precautions when using this product. Please read this operating manual carefully and make sure that you understand it.

Keep these operation instructions in a safe place.

Description

- This little caravan dolly is a useful tool for owners of a little caravan. It will assist you in moving small-weight caravans safely over small distances. It can also be used to manoeuvre the caravan in narrow zones.
- The dolly is very easy to assemble. Refer to the list of components and the exploded view for assembly. Make sure that all parts depicted are included in the scope of delivery.

Safety instructions

- Before commissioning the device, read the user's manual entirely, making sure to understand everything.
- The caravan dolly has been designed for a maximum capacity of 27 kg.
- While hitching, un-hitching, and moving the caravan, stay out of the danger area; children must keep an extra safety distance.
- Make sure that the load of the caravan is secured when manoeuvring.
- Make sure that the drawbar is safely attached to the hitch before moving the caravan.
- Avoid uncontrolled moving of the dolly. On sloping ground, the dolly is difficult to adjust.
- Ensure extra-good locking if the caravan that the dolly is hitched to has not been moved over a long period.
- Keep the dolly clean. Before every use, check the dolly for proper operation and regularly lubricate the moving components.

Parts list

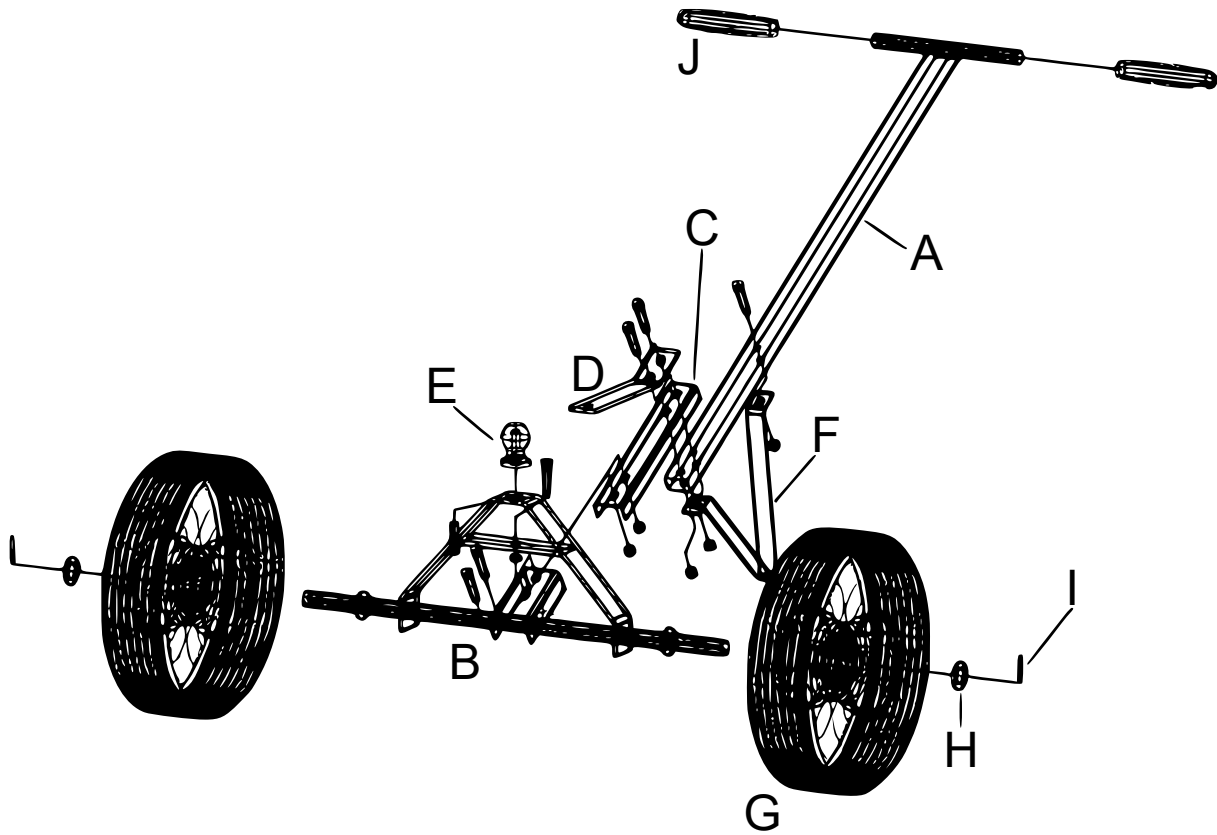
Main components

Letter	Name	Letter	Name
A	Handle	F	Stand
B	Axle	G	Tyre
C	Bracket	H	Washer
D	Support bar	I	Cotter pin
E	Hitch	J	Rubber handle

Screwing pieces

Nº	Name	Qty.	Nº	Name	Qty.
1	Screw M10×50	3	6	Circlip	1
2	Nut M10	5	7	Screw M18×40	1
3	Circlip	5	8	Circlip	1
4	Screw M12×30	1	9	Washer	1
5	Nut M12	1	10	Screw M10×20	2

Assembly and explosion view



Technical specifications

Size (cm)	110 × 72 × 30
Max. capacity (kg)	270
Weight (kg)	12.8

Important Note:

Reproduction and any commercial use (of parts) of this operating manual, requires a written permission of WilTec Wildanger Technik GmbH.