

User's manual

Rotary Painting Stand

30286



Illustration similar, may vary depending on model

Please read and follow the operating instructions and safety information prior to initial operation.

Technical changes reserved!

Illustrations, functional steps, and technical data may deviate insignificantly due to continuous further developments.



The information contained in this document may alter at any time without prior notice. No part of this document may be copied or otherwise duplicated without prior written consent. All rights reserved. WilTec Wildanger Technik GmbH cannot be held liable for any possible mistakes in this operating manual, nor in the diagrams and illustrations shown.

Although WilTec Wildanger Technik GmbH has made every possible effort to ensure that this operating manual is complete, accurate, and up-to-date, errors cannot be ruled out entirely.

If you have found an error or wish to suggest an improvement, we look forward to hearing from you. Send us an e-mail to:

service@wiltec.info

or use our contact form:

<https://www.wiltec.de/contacts/>

The most recent version of this manual in several languages can be found in our online shop:

<https://www.wiltec.de/docsearch>

Our postal address is:

WilTec Wildanger Technik GmbH
Königsbenden 12
52249 Eschweiler Germany

To return your goods for exchange, repair, or other purposes, please use the following address. Attention! To allow for a trouble-free complaint or return, it is important to contact our customer service team before returning your goods.

Retourenabteilung
WilTec Wildanger Technik GmbH
Königsbenden 28
52249 Eschweiler Germany

E-mail: **service@wiltec.info**
Tel: +49 2403 55592-0
Fax: +49 2403 55592-15



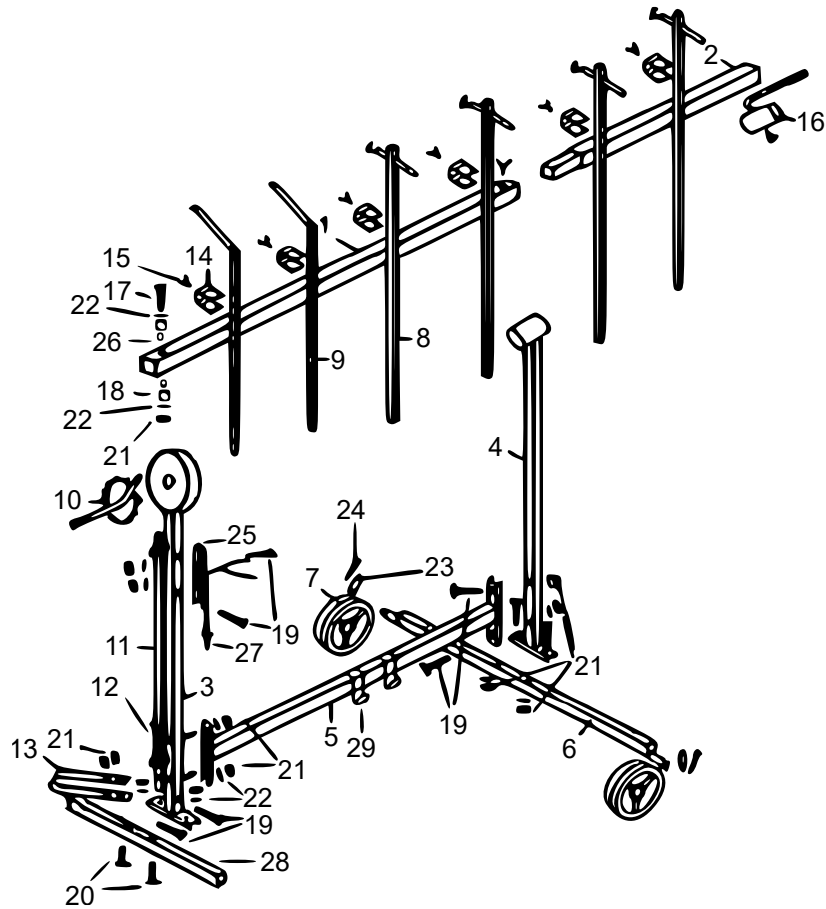
Introduction

Thank you for choosing to purchase this quality product. To minimise the risk of injury, we ask you to always take some basic safety precautions when using this product. Please read this operating manual carefully and make sure that you understand it. Keep these operation instructions in a safe place.

Safety instructions

- Do not use the stand when parts are damaged.
- Do not climb or step onto the stand.
- Never allow children and non-authorised persons to use the stand.
- Do not use the stand near sources of current.
- Always remove paint and varnish rests from all moving or adjustable components to ensure the stability and the long service life of the stand.
- Keep an eye on your surroundings while using the device.
- Do not use the device when being tired or under the influence of alcohol, drugs, or medicine.
- Only use the stand in a clean, tidy, and safe zone. Make sure that the stand stands on a flat and stable surface.
- Before using the stand, make sure that the floor is neither wet nor slippery. Wear non-slip shoes.
- Always wear suitable work clothing. Avoid wearing wide clothes and jewellery and securely tie long hair together.
- Some components, due to the design of the stand, could be sharp-edged. It is therefore strongly recommended that you wear protective gloves.
- The stand must not be used in a way that might impair its stability and integrity and that might endanger the user. Improper use might lead to property damage and personal injury.
- Store the stand in a safe and dry zone.
- During work, always wear appropriate protective equipment. The stand has moving parts that could lead to your fingers being contused or loose parts of your clothes being caught.

Exploded view and parts list



Nº	Name	Qty.	Nº	Name	Qty.
1	Stand bar	1	16	Handle	1
2	Extension bar to stand bar	1	17	Screw M8×75	1
3	Front bar	1	18	Plastic bushing	2
4	Rear bar	1	19	Screw M8×45	10
5	Lower bar	1	20	Hex bolt M8×40	2
6	Wheel bar	1	21	Nut M8	13
7	Wheel	2	22	Washer 8	14
8	Arm	4	23	Washer 16	2
9	Support arm	2	24	Locking pin	2
10	Lockable wheel	1	25	Fixing	1
11	Front shackle	1	26	Ring washer	2
12	Front spring	1	27	Pin to front shackle	1
13	Pedals	1	28	Footrest	1
14	Tap	6	29	Hook	2
15	Knob	6			

Important Note: Reproduction and any commercial use (of parts) of this operating manual, requires a written permission of WilTec Wildanger Technik GmbH.