

User's manual

Airbrush Gun Type 128 34128



Illustration similar, may vary depending on model

Please read and follow the operating instructions and safety information prior to initial operation.

Technical changes reserved!

Illustrations, functional steps, and technical data may deviate insignificantly due to continuous further developments.



The information contained in this document may alter at any time without prior notice. No part of this document may be copied or otherwise duplicated without prior written consent. All rights reserved. WilTec Wildanger Technik GmbH cannot be held liable for any possible mistakes in this operating manual, nor in the diagrams and illustrations shown.

Although WilTec Wildanger Technik GmbH has made every possible effort to ensure that this operating manual is complete, accurate, and up-to-date, errors cannot be ruled out entirely.

If you have found an error or wish to suggest an improvement, we look forward to hearing from you. Send us an e-mail to:

service@wiltec.info

or use our contact form:

<https://www.wiltec.de/contacts/>

The most recent version of this manual in several languages can be found in our online shop:

<https://www.wiltec.de/docsearch>

Our postal address is:

WilTec Wildanger Technik GmbH
Königsbenden 12
52249 Eschweiler Germany

To return your goods for exchange, repair, or other purposes, please use the following address. Attention! To allow for a trouble-free complaint or return, it is important to contact our customer service team before returning your goods.

Retourenabteilung
WilTec Wildanger Technik GmbH
Königsbenden 28
52249 Eschweiler Germany

E-mail: **service@wiltec.info**
Tel: +49 2403 55592-0
Fax: +49 2403 55592-15



Introduction

Thank you for choosing to purchase this quality product. To minimise the risk of injury, we ask you to always take some basic safety precautions when using this product. Please read this operating manual carefully and make sure that you understand it.

Keep these operation instructions in a safe place.

Safety instructions

- Familiarise yourself with the user's manual before using the device. Read it thoroughly and follow all safety and other instructions to avoid damages and injuries.
- Only use the device for its specified purpose. Any incorrect use might lead to injuries and/or damages.
- This device is not suitable for persons (including children) with limited physical, sensory, or mental abilities, lack of experience or knowledge, unless they have been instructed and are supervised by an experience person responsible for their safety and familiar with the device.
- Children must not use the device and should be supervised when they are near it to ensure that they do not play with it.
- Under no circumstances should you direct the device towards your body or other persons' bodies or animals.
- The maximum capacity must never be exceeded.
- Before any use, check all connections and hoses for proper condition.
- Should the device or hose be damaged, the device must not be used. **Risk of injuries!**
- Only operate the device in well-ventilated areas.
- Wear appropriate protective equipment (safety glasses, protective gloves, respiratory mask) when operating the device.
- Do not use the device near possible sources of ignition (e.g., cigarettes, open flames, etc.). Paints, thinners, and dissolvents, being highly flammable, must be handled with uttermost care. Obey the warnings and safety instructions given by the manufacturer of the paint, thinner, or dissolvent.
- Clean the device after every use.
- Only have the device repaired by a qualified person.

Before using the product

- Make sure to have received all components of the device and all accessory parts and check them for damages immediately after unpacking them.
- To achieve a regular and clean spray pattern, the surfaces to work on must be clean, dry, free from dust, and free from rust.

Use

1. Connect the gun to a compressed-air connection. Make sure that the air pressure suits the material to be worked on.
2. Thin the paint in accordance with the manufacturer's instructions and fill the paint into the paint cup. Then close the paint cup properly.
3. Take the gun. Make sure that the compressed-air hoses are not kinked or otherwise blocked.
4. By pressing the trigger, the air will begin to flow. Slowly pull the trigger backwards to achieve atomising of the paint.
5. The spray pattern depends on the distance between the spray nozzle and surface.
 - Slow movements are recommended for small amounts of paint, fast movements for large amounts of paint.
 - Do not spray arc-shaped patterns and do not pause spraying, as otherwise the paint will not be spread regularly.
 - To apply fine lines, remove the needle cover and bring the gun close to the surface.



- Make sure that the distance between the gun and surface stays constant.
6. Switch off the compressed-air supply and let the pressure off as soon as you do not use the gun any longer.
 7. Empty the paint cup after work. Drain the paint rests into an appropriate container and dispose of it properly.

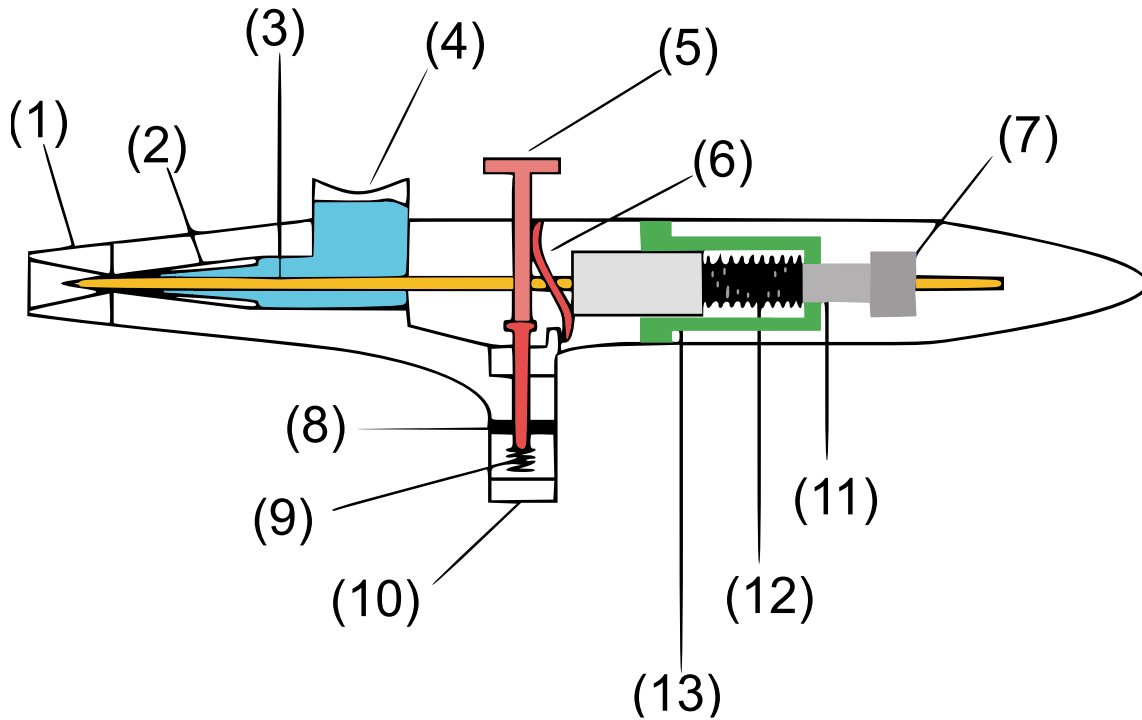
Cleaning and maintenance

- Empty the paint cup and clean it out with water or dissolvent.
- Fill water or dissolvent into the pain cup, then keep the needle holder shut by hand and spray. Thus, the air will flow backwards into the nozzle, removing all paint rests.
- It is advisable to spray again without keeping the needle holder shut to allow fresh dissolvent to come into the paint conduct; then re-wash the dissolvent by keeping the needle cover shut by hand. Repeat this several times if necessary.
- Clean all components thoroughly to avoid any deposit.

Technical specifications

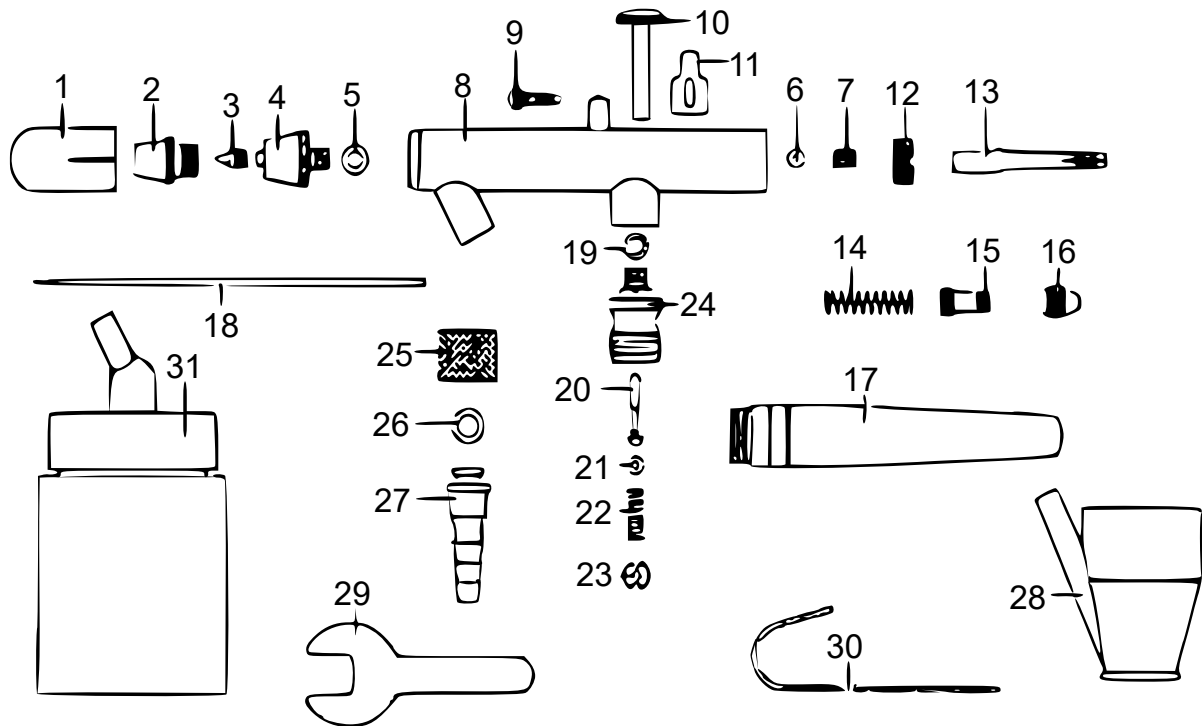
Nozzle diameter (mm)	0.35
Paint cup capacity (mℓ)	2 × 22 / 1 × 5
Size (mm)	230 × 146 × 48
Max. working pressure (bar)	3.4
Weight (kg)	0.5

Main components



Nº	Name	Nº	Name
1	Needle cap	8	Valve gasket
2	Nozzle	9	Return spring
3	Needle	10	Air supply
4	Paint cup	11	Chuck
5	Double action trigger (air and paint)	12	Needle return spring
6	Pressure lever	13	Spring limiter
7	Needle locking screw		

Exploded view and parts list



Nº	Name	Nº	Name	Nº	Name
1	Protective cap	12	Stop	23	Valve screw
2	Air cap	13	Needle seat guide	24	Valve seat
3	Nozzle	14	Needle seat spring	25	Filter
4	Air cap body	15	Standard handle adjusting	26	Hose connector O-ring
5	O-ring	16	Adjustment screw	27	Hose connection
6	Alignment ring	17	Rear threaded cap	28	Glass cup
7	Alignment nut	18	Needle	29	Nozzle spanner
8	Body	19	Valve O-ring	30	Bracket
9	Adjustment screw	20	Shaft	31	Paint cup
10	Trigger	21	Valve stem O-ring		
11	Rocker	22	Valve spring		

Important Note:

Reproduction and any commercial use (of parts) of this operating manual, requires a written permission of WilTec Wildanger Technik GmbH.