

# Operation Manual

## Vacuum Pump AS29

34243



Illustration similar, may vary depending on model

Read and follow the operating instructions and safety information before using for the first time.

Technical changes reserved!

Due to further developments, illustrations, functioning steps, and technical data can differ insignificantly.

Updating the documentation

If you have suggestions for improvement or have found any irregularities, please contact us.



The information contained in this document may alter at any time without previous notice. It is prohibited to copy or spread any parts of this document in any way without prior written allowance. All rights reserved.

The WilTec Wildanger Technik GmbH cannot be held accountable for any possible mistakes in this operating manual, nor in the diagrams and figures shown.

Even though, the WilTec Wildanger Technik GmbH has undergone biggest possible efforts to ensure that the operating manual is complete, faultless, and up to date, mistakes cannot be entirely avoided.

If you should find a mistake or wish to make a suggestion for improvement, we look forward to hearing from you.

Send an e-mail to:

[service@wiltec.info](mailto:service@wiltec.info)

or use our contact form:

<https://www.wiltec.de/contacts/>

The most recent version of this manual in various languages can be found in our online shop via:

<https://www.wiltec.de/docsearch>

Our postal address is:

WilTec Wildanger Technik GmbH  
Königsbenden 12  
52249 Eschweiler  
Germany

To return orders for exchange, repair, or other purposes, please use the following address. Attention! To allow for a smooth execution of your complaint or return, it is important to contact our customer service team before returning the goods.

Returns Department  
WilTec Wildanger Technik GmbH  
Königsbenden 28  
52249 Eschweiler

E-mail: **service@wiltec.info**

Tel: +49 2403 55592-0

Fax: +49 2403 55592-15



## Introduction

Thank you for purchasing this quality product. **To minimise the risk of injury we urge that our clients take some basic safety precautions when using this device. Please read the operation instructions carefully and make sure you have understood its content.**

Keep these operation instructions safe.

## Safety guideline

### **BEWARE:**

The use of this device is allowed only with fault current protection switch with a triggering nominal current up to 30 mA (according to VDE 0100 Article 702 and 738).

The device is not intended for use by persons (including children) with impaired or limited physical, sensory, and mental abilities or lack of experience and/or real knowledge, unless they are supervised by a person responsible for their safety or they follow the instructions made by this person on how to use the device correctly. Children should be supervised to make sure that they do not play with the device.

### **CAUTION:**

- **The head of the vacuum pump (with cooling fins) can get very hot.**
- Run a visual inspection of the device before every use. Do not use the device if the safety appliances are damaged or worn out. Never override safety regulations.
- Use the device exclusively according to the intended purpose stated in the manual.
- You are responsible for the safety of the working environment.
- If the cable or the plug is damaged due to external influences, the cable must not be repaired, but must be replaced with a new one. This work can only be carried out by an electrician.
- The 230 V alternating voltage indicated on the type plate of the device must correspond to the existent mains voltage.
- Never lift, carry, or fix the device by using the power cable.
- Make sure that the electrical plug connection is protected from flood and moisture.
- Disconnect the mains plug before starting the maintenance work at the compressor.
- The user is responsible for complying with the location specific safety and mounting regulations. Ask an electrician, if necessary.
- In case of device failure, the repairs can only be carried out by an electrician.

### **SAFETY GUIDELINES:**

- The user should choose the right vacuum pump with the appropriate air volume and air pressure to correspond to the actual work requirements.
- Never expose the device to dust, acid, steam, explosive or flammable gases, or atmospheric influences (rain, sun, fog, snow).
- The vacuum pump can be operated only in an appropriate environment (good ventilation, ambient temperature of +5–+40 °C).
- Never use the vacuum pump barefoot or with wet hands or feet.
- Never allow children to touch the switched-on vacuum pump or to insert the plug. It may cause burns or electric shocks.
- Do not open or damage any vacuum pump part. If necessary, please contact your seller.
- Always release the water by opening the drain valve before not using the vacuum pump for a long time. Store the vacuum pump in a well-ventilated place.
- Always wear goggles. Under no circumstances direct the airflow towards your body or other persons' bodies or animals.
- Never use the device in areas with steam or moisture or close to water.
- Switch off the vacuum pump if you do not use it. Disconnect it from mains before you repair, recondition, maintain, clean, or replace parts. Never use the power cable as handle. Keep the



power cable away from hot objects, oil, and sharp edges. Protect it against breakage. Do not pull the power cable to unplug it from the power socket.

- If the vacuum pump is used outdoors, only approved extensions may be used. Every wire of the extension cable must have at least 1.5 mm<sup>2</sup> cross-section.
- Do not store the vacuum pump with the plug inserted into the socket. Do not allow children or any other people who are not able to handle this device to play or work with it.
- Be very careful when you are working with the vacuum pump. Do not use it if you are tired. Persons under the influence of alcohol, drugs, or medicine are not allowed to use this device.
- When you start working make sure that all screws are tightened.
- Do not use the vacuum pump if it is damaged. If the vacuum pump generates unusual noises and strong vibrations or if other unusual signs occur that indicate some damage you should turn off the vacuum pump immediately. For repairs, only use original spare parts. Do not make any technical modifications to the vacuum pump. In case you cannot eliminate the malfunction hand over the device to an expert.

### Properties

- Diaphragm vacuum pump
- Without oil, no untidy air
- Protection against excessive temperature
- Very low noise level



### Fields of application

The AS2g vacuum pump is among others suitable for the operation in the following areas:

- crafts,
- hobbies,
- modelling,
- tattoos and body art,
- make-up and nail design,
- as a source of air in the medical field,
- in food and chemical industries,
- in laboratories,
- for inflating pneumatic tyres and
- for filling balloons.

### Technical specifications

<b>Type</b>	Oil-free vacuum pump
<b>Power (W)</b>	370 (½ hp)
<b>Rotation speed (1/min)</b>	1450–1700
<b>Noise level (dB (A))</b>	≤55
<b>Suction volume (1/min)</b>	128–135
<b>Vacuum (bar)</b>	approx. 0.79
<b>Hose connection (mm)</b>	12.91 (¼")
<b>Weight (kg)</b>	8.65
<b>Size (mm)</b>	415×365×285
<b>Cable length (m)</b>	1.9

### Notes:

- The vacuum pump has a 12.91 mm outlet (¼", male thread), which can be effortlessly changed to 1/8". The matching adapter is not included in the supply.



- When the vacuum pump is connected by the hose to the airbrush gun, the vacuum pump can be connected to the mains and be switched on.
- The maximum pressure is displayed by the pressure gauge, the operating pressure can be adjusted by the pressure regulator.

### Leakage control

- Switch on the compressor and wait until the maximum pressure has built up and the auto-stop function has been activated.
- If there is no leakage, the pressure gauge should display nearly constantly the same range of pressure.
- A quick decrease of the range of pressure suggests that there is in fact a leakage.
- It is of great importance to seal any leak as soon as possible in order to avoid any impact on the capacity and efficiency of the compressor.
- A leak causes the auto-stop and auto-start function to be carried out permanently.

### Difference between maximum and operating pressure

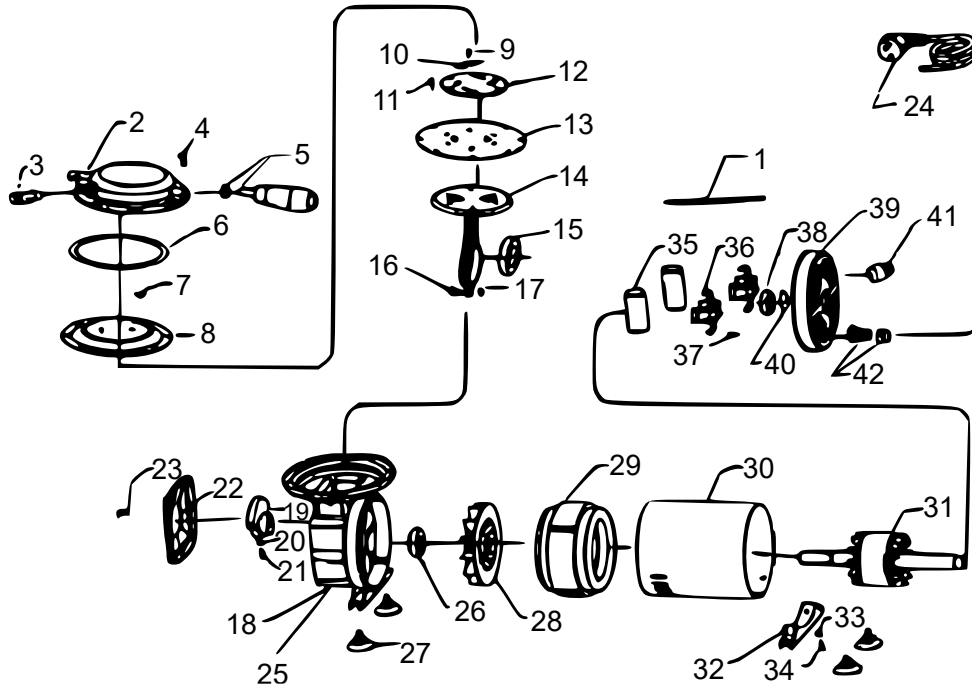
- The maximum pressure is the highest possible pressure a compressor can generate.
- Once the maximum pressure has been reached, the compressor switches off (auto-stop). As soon as the pressure starts to decrease, it switches on again (auto-start).
- Maximum pressure is the pressure measured inside the compressor.
- There is a lower pressure on the outlet of the compressor. The pressure you actually work with remains. The operating pressure may vary according to the connected airbrush gun.

### Troubleshooting

Problem	Cause	Solution
The motor does not run.	1. Electric cables are defective.	1. Check the electric cables and replace them if necessary.
	2. The internal cable connections are defective.	2. Open the rear cover, check the internal cable connections, repair them.
	3. The main switch does not work.	3. Check the main switch, replace it if necessary.
The motor does not run, yet emitting noises.	1. The outlet is completely obstructed or closed.	1. Open the cap and free the outlet.
	2. Wrong direction of cylinder valve after users' first mounting or dismounting	2. Re-mount the cylinder valve in the correct direction.
The motor does run, yet emitting irregular or knocking noises.	1. The bearings are loose or defective.	1. Replace the bearings.
	2. Connecting rod screws are loose.	2. Re-tight or replace the screws.
The airbrush gun does not work properly; there is not enough vacuum pressure.	1. The vacuum air connection is not tight.	1. Seal the air hose with sealing tape.
	2. The air hose is torn.	2. Replace the air hose.
	3. Cylinder cover screws are loose.	3. Re-tighten the screws.
The motor, running regularly, does not produce enough or any air pressure.	1. Valve and diaphragm screws are loose or set to the wrong position.	1. Open the front cover, re-tighten the screws and set the diaphragm screws to the correct position.

	2. The valve has been destroyed because too much pressure has been applied during work.	2. Replace de intake plate or the valves.
--	---	---

**Explosion view and parts list**



No	Name	Qty.	No	Name	Qty.
1	Elbow assembly	2	23	Slotted screw	4
2	Cylinder cover	1	24	Cable	1
3	Adjusting valve	1	25	Nut	4
4	Slotted screw	8	26	Bearing	1
5	Handle	1	27	Rubber feet	4
6	Seal ring	1	28	Rotor	1
7	Valve	5	29	Spindle	1
8	Separating plate	1	30	Main housing	1
11	Screw	6	31	Rotor assembly	1
12	Diaphragm fixing plate	1	32	Supporter	1
13	Diaphragm	1	33	Nut	2
14	Connecting rod	1	34	Screw	2
15	Bearing	1	35	Condenser	2
16	Hexagon screw	1	36	Condenser holder	2
17	Hexagon nut	1	37	Screw	2
18	Cylinder head	1	38	Bearing	1
19	Balance rod	1	39	Rear cover	1
20	Screw	1	40	Vacuum gauge	1



<b>21</b>	Nut	1	<b>41</b>	Switch	1
<b>22</b>	Front cover	1	<b>42</b>	Cable sleeve assembly	1

## Disposal regulations

EU guidelines regarding the disposal of scrap electric appliances (WEEE, 2012/19/EU) were implemented in the law related to electrical and electronic equipment and appliances.

All WiTec electric devices that fall under the WEEE regulations are labelled with the crossed-out wheeled waste bin logo. This logo indicates that this electric equipment must not be disposed with the domestic waste.

The company WiTec Technik GmbH has been registered in the German registry EAR under the WEEE-registration number DE45283704.

Disposal of used electrical and electronic appliances (intended for use in the countries of the European Union and other European countries with a separate collection system for these appliances).

The logo on the article or on its packaging points out that this article must not be treated as normal household waste but must be disposed to a recycling collection point for electronic and electrical waste equipment. By contributing to the correct disposal of this article you protect the environment and the health of your fellow men. Environment and health are threatened by inappropriate disposal.



Material recycling helps reduce the consumption of raw materials.

Additional information on recycling this article can be provided by your local community, municipal waste disposal facilities, or the store where you purchased the article.

Address:  
WiTec Wildanger Technik GmbH  
Königsbenden 12 / 28  
D-52249 Eschweiler

Important notice:

The reprint or reproduction, even of excerpts, and any commercial use, even in part, of this instruction manual require the written permission of WiTec Wildanger Technik GmbH.