

Operation Manual

Airbrush Extraction System with Water Wall 34280



Illustration similar, may vary depending on model

Read and follow the operating instructions and safety information before using for the first time.

Technical changes reserved!

Due to further developments, illustrations, functioning steps, and technical data can differ insignificantly.

Updating the documentation

If you have suggestions for improvement or have found any irregularities, please contact us.



The information contained in this document may alter at any time without previous notice. It is prohibited to copy or spread any parts of this document in any way without prior written allowance. All rights reserved.

The WilTec Wildanger Technik GmbH cannot be held accountable for any possible mistakes in this operating manual, nor in the diagrams and figures shown.

Even though, the WilTec Wildanger Technik GmbH has undergone biggest possible efforts to ensure that the operating manual is complete, faultless, and up to date, mistakes cannot be entirely avoided.

If you should find a mistake or wish to make a suggestion for improvement, we look forward to hearing from you.

Send an e-mail to:

service@wiltec.info

or use our contact form:

<https://www.wiltec.de/contacts/>

The most recent version of this manual in various languages can be found in our online shop via:

<https://www.wiltec.de/docsearch>

Our postal address is:

WilTec Wildanger Technik GmbH
Königsbenden 12
52249 Eschweiler
Germany

To return orders for exchange, repair, or other purposes, please use the following address. Attention! To allow for a smooth execution of your complaint or return, it is important to contact our customer service team before returning the goods.

Returns Department
WilTec Wildanger Technik GmbH
Königsbenden 28
52249 Eschweiler

E-mail: **service@wiltec.info**

Tel: +49 2403 55592-0

Fax: +49 2403 55592-15



Introduction

Thank you for purchasing this quality product. **To minimise the risk of injury we urge that our clients take some basic safety precautions when using this device. Please read the operation instructions carefully and make sure you have understood its content.**

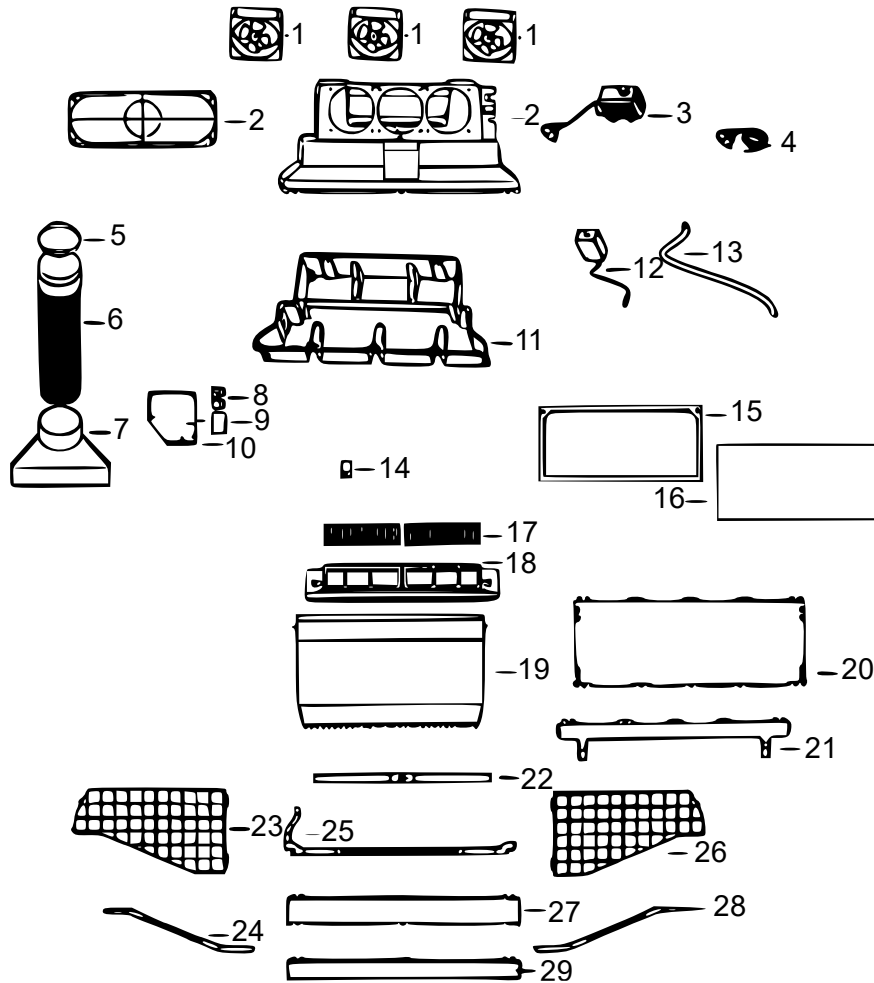
Keep these operation instructions safe.

Safety instructions

Unqualified use and improper maintenance of the unit can lead to serious injuries. The following safety instructions should be observed to avoid any risk! Please read all these instructions carefully and follow them.

- Select the correct tools and a power connection with the correct frequency and voltage according to the local power supply. Otherwise, the motor may be damaged and/or a fire may be caused.
- Please check that the installation, including the connection and the switch, is in perfect condition.
- The installation must be operated in accordance with the applicable safety regulations and all sockets must be earthed. Please do not touch the power cable with wet hands.
- Unauthorised conversion, modification or alteration of the products is not permitted for safety and approval reasons.
- Keep the work area clean and tidy. Unused tools should be stored in the appropriate places. Ensure that the work area is well ventilated.
- Never operate the equipment near flammable liquids or gases. The equipment may produce sparks during operation. Do not use the unit in areas where paint, petrol, chemicals, adhesives, and other flammable and explosive substances are present.
- Keep out of the reach of children. Keep children and other unauthorised persons away from the work area.
- Do not open any components of the unit and do not make any changes to it.
- The unit must be operated in a suitable environment (well ventilated, with an ambient temperature between +5 °C and +40 °C).
- If you have reason to believe that safe operation is no longer possible, disconnect the unit from the mains immediately and secure it against unintentional operation. If you notice a possible danger during operation, switch off the appliance immediately.

Parts list



Nº	Name	Nº	Name
1	Fan (×3)	16	Filter (×2)
2	Cover	17	Filter sponge (×2)
3	Water pump	18	Filter tank
4	Mains plug	19	Water wall
5	Metal circlip	20	Work surface
6	Extension tube	21	Support plate
7	Pipe attachment	22	Water pipe
8	Mains switch	23	Left cover plate
9	Adjustment knob	24	Left LED tube
10	Cover plate	25	Middle LED tube
11	Water sink	26	Right cover plate
12	Adapter	27	Large cover plate
13	Water pipe	28	Right LED tube
14	Sink buckle (×4)	29	Small cover plate
15	Filter frame		

Assembling the spray booth

When folded, the product is ideal for mobile use.



Parts list



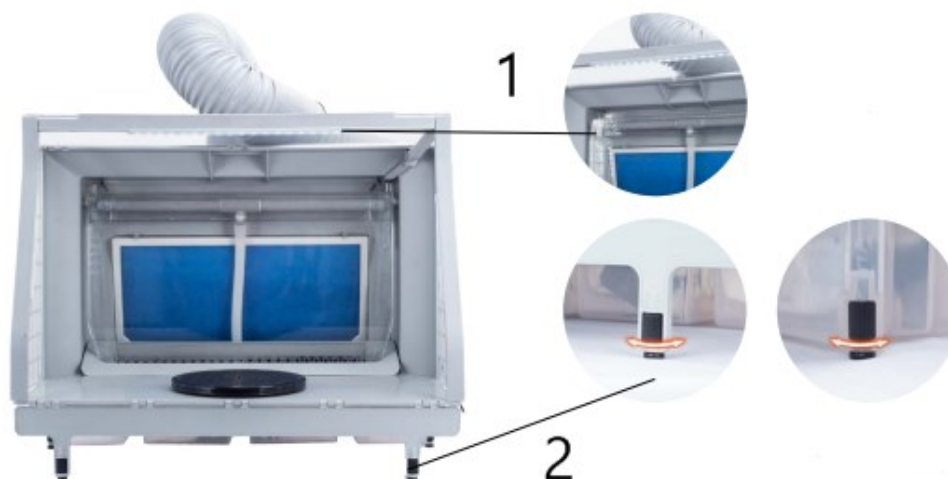
Main product

Air hose

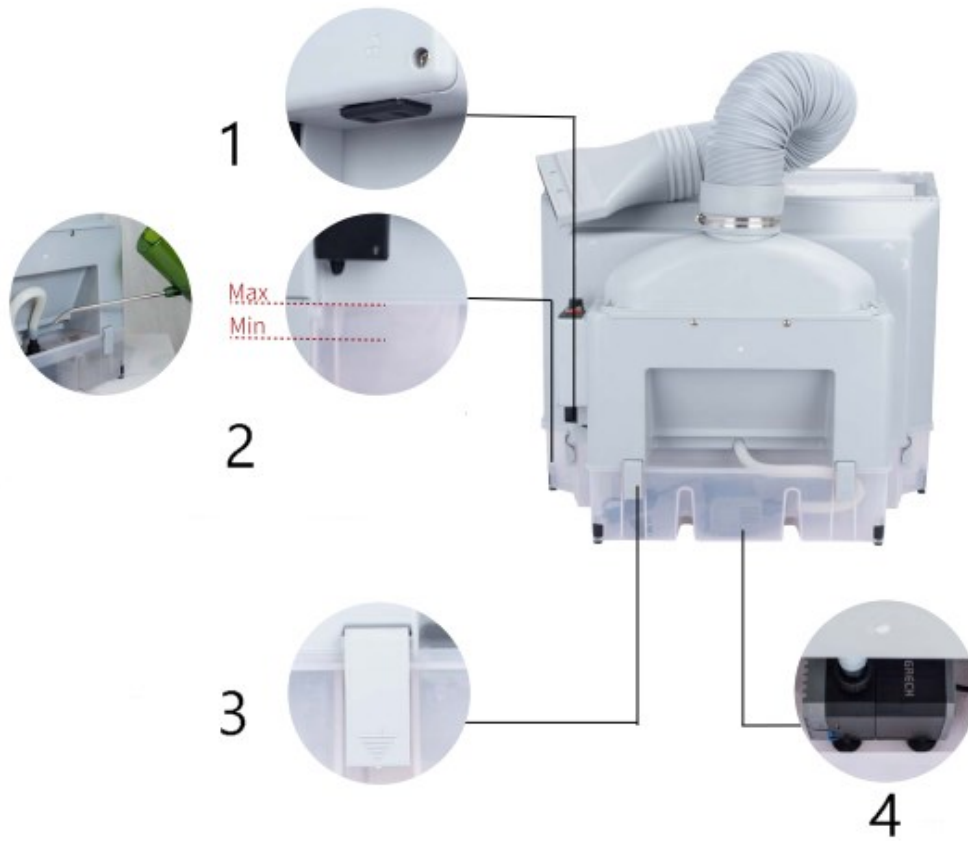
Water pump

Turn table

LED tube

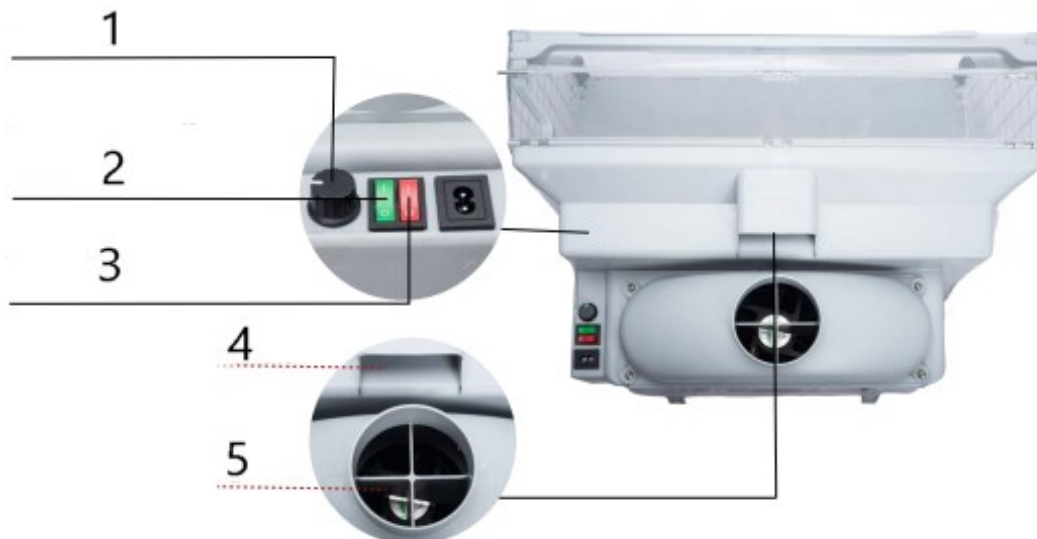


Nº	Name	Nº	Description
1	LED tube	2	The height of the feet can be adjusted by turning.



Nº	Name	Nº	Description
1	Water pump power switch	3	The system and the water basin are connected with the buckle
2	Water level marker	4	Rubber feet stick to the ground

Warning! Water should be filled in before plugging in the mains switch of the water pump.



No	Name	No	Name
1	On/off switch and airflow adjustment button	4	Handle
2	LED light on/off switch	5	Fan
3	Water switch		

Assembly

Notes and information on assembly



Step 1

Unlock all four buckles and slide the body backwards about 15 degrees to easily remove the hose attachment.



Step 2



Insert the water pipe into the pump (let the pipe run in a circle).

Step 3



Pull the lower part a little to be able to connect the hose attachment.

Step 4



Connect the hose by turning it anticlockwise.

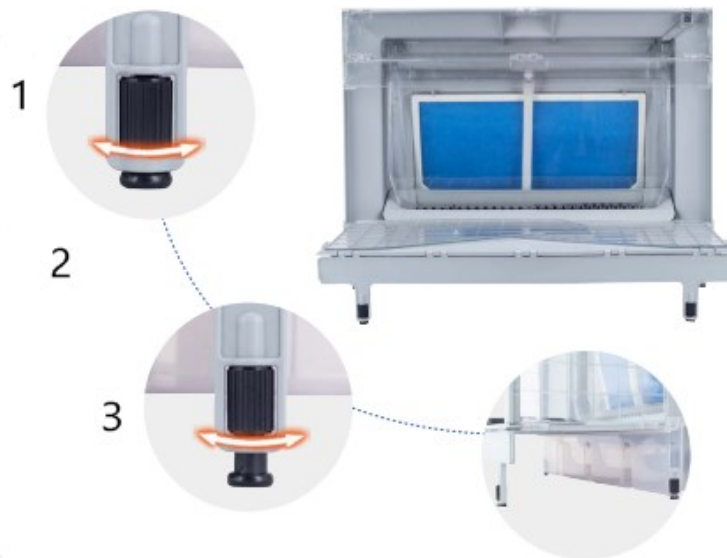
Step 5



Open the front cover plate and fold it up to begin installation.

Step 6

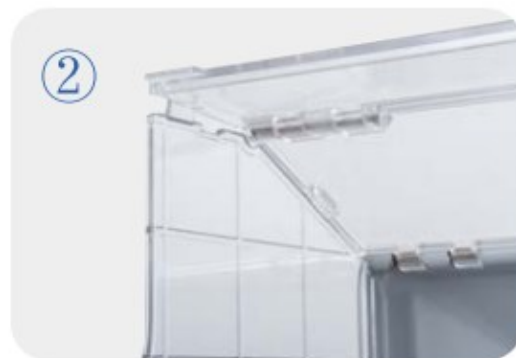
If necessary, adjust the height of the feet.



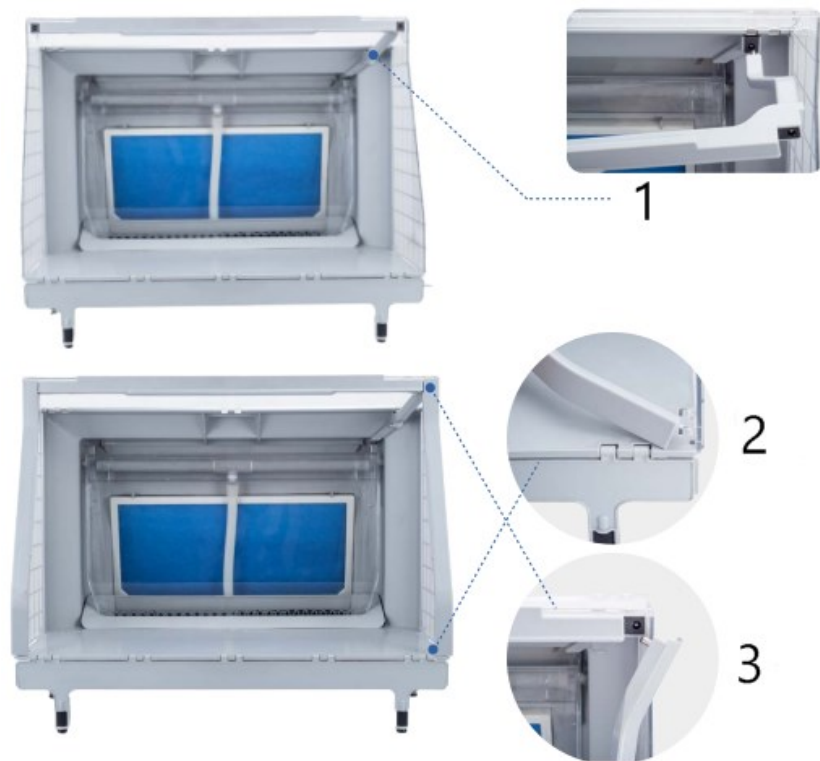
No	Description
1	Hold the feet firmly.
2	Raise and lower the height of the feet by rotating them.
3	All feet can be adjusted.

Step 7

Pull both the right and left transparent cover plates into the vertical position. Then fasten the inner snap joints on both sides.



Step 8



Nº	Description
1	Install the LED tube on the cover (the right side is inserted into the socket). Hang the LED tube on the top cover.
2	Insert the curved part into the small hole
3	Place the right LED tube in the hole

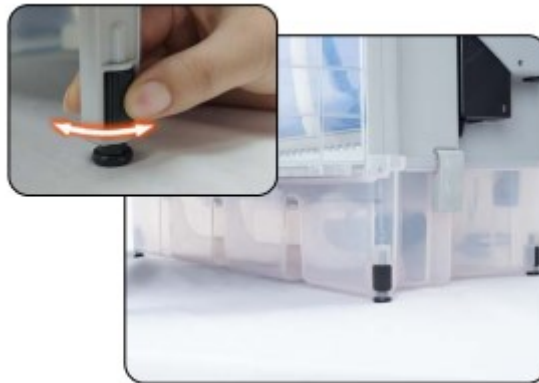
Note! Follow the installation method also for all LED tubes.

Adjustment for smooth and even water distribution

Notes and information on the setting



Method 1



Adjust the height of the foot so that the machine stands level.

Method 2



Adjust the water wall manually.

Changing the filter

Step 1



Pull out the water wall along the slide rail and place it on the work surface.

Step 2



Pour the remaining water into the water sink.

Step 3



Remove the filter to replace it with a new one.

Step 4



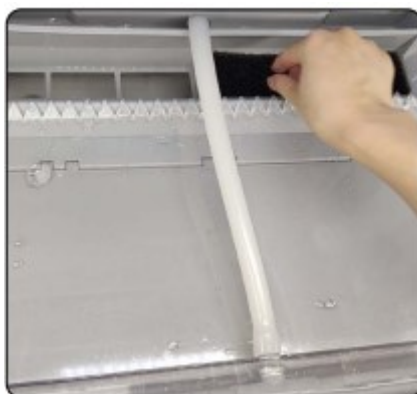
Put a new filter back in the right place

Step 5



Remove the two black filter sponges.

Step 6



The filter sponges are used cyclically and can be reinstalled after cleaning.

Step 7



Straighten the water pipe.

Step 8



Reattach the water wall. Insert the bottom of the left and right sides into the groove and fasten the buckles.

Disposal regulations

EU guidelines regarding the disposal of scrap electric appliances (WEEE, 2012/19/EU) were implemented in the law related to electrical and electronic equipment and appliances.

All WiTec electric devices that fall under the WEEE regulations are labelled with the crossed-out wheeled waste bin logo. This logo indicates that this electric equipment must not be disposed with the domestic waste.

The company WiTec Technik GmbH has been registered in the German registry EAR under the WEEE-registration number DE45283704.

Disposal of used electrical and electronic appliances (intended for use in the countries of the European Union and other European countries with a separate collection system for these appliances).

The logo on the article or on its packaging points out that this article must not be treated as normal household waste but must be disposed to a recycling collection point for electronic and electrical waste equipment. By contributing to the correct disposal of this article you protect the environment and the health of your fellow men. Environment and health are threatened by inappropriate disposal.



Material recycling helps reduce the consumption of raw materials.

Additional information on recycling this article can be provided by your local community, municipal waste disposal facilities, or the store where you purchased the article.

Address:
WiTec Wildanger Technik GmbH
Königsbenden 12 / 28
D-52249 Eschweiler

Important notice:

The reprint or reproduction, even of excerpts, and any commercial use, even in part, of this instruction manual require the written permission of WiTec Wildanger Technik GmbH.