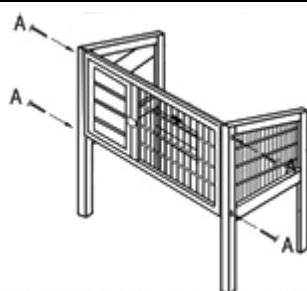
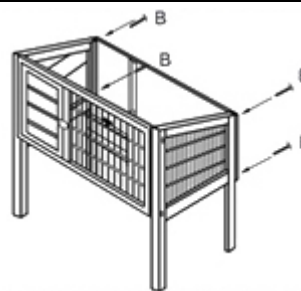


No	Name	No/Letter	Name
1	Divider (1×)	7	Front element (1×)
2	Floor (1×)	A	3.5×50 mm (4×)
3	Rear panel (1×)	B	3.5×25 mm (6×)
4	Left side panel (1×)	C	3.0×20 mm (3×)
5	Right side panel (1×)	D	3.0×16 mm (4×)
6	Roof (1×)	L	— 1×



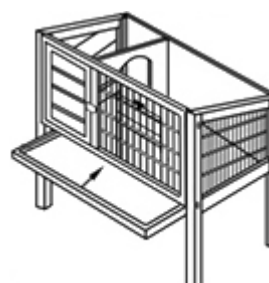
Step 1



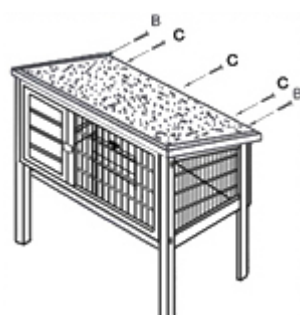
Step 2



Step 3



Step 4



Step 5



Step 6



Step 7

Important Note:

Reproduction and any commercial use (of parts) of this operating manual, requires a written permission of WilTec Wildanger Technik GmbH.