

# Instruction Manual

## Hutch for Small Animals

50027



Illustration similar, may vary depending on model

Please read and follow the operating instructions and safety information prior to initial operation.

Technical changes reserved!

Illustrations, functional steps, and technical data may deviate insignificantly due to continuous further developments.

The information contained in this document may alter at any time without prior notice. No part of this document may be copied or otherwise duplicated without prior written consent. All rights reserved. WilTec Wildanger Technik GmbH cannot be held liable for any possible mistakes in this operating manual, nor in the diagrams and illustrations shown.

Although WilTec Wildanger Technik GmbH has made every possible effort to ensure that this operating manual is complete, accurate, and up-to-date, errors cannot be ruled out entirely.

If you have found an error or wish to suggest an improvement, we look forward to hearing from you. Send us an e-mail to:

[service@wiltec.info](mailto:service@wiltec.info)

or use our contact form:

<https://www.wiltec.de/contacts/>

The most recent version of this manual in several languages can be found in our online shop:

<https://www.wiltec.de/docsearch>

Our postal address is:

WilTec Wildanger Technik GmbH  
Königsbenden 12  
52249 Eschweiler Germany

To return your goods for exchange, repair, or other purposes, please use the following address. Attention! To allow for a trouble-free complaint or return, it is important to contact our customer service team before returning your goods.

Retourenabteilung  
WilTec Wildanger Technik GmbH  
Königsbenden 28  
52249 Eschweiler Germany

E-mail: **service@wiltec.info**  
Phone: +49 2403 55592-0  
Fax: (+49 2403 55592-15)

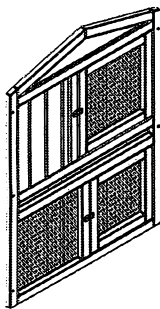
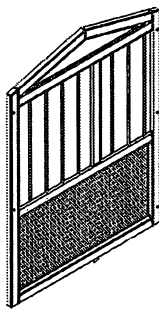
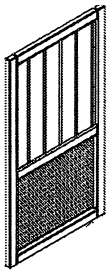
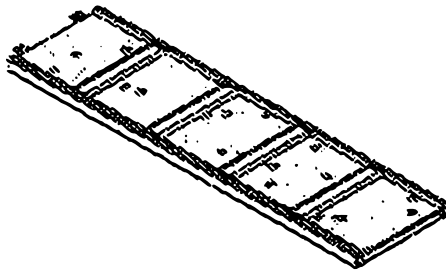
## Introduction

Thank you for choosing to purchase this quality product. To minimise the risk of injury, we ask you to always take some basic safety precautions when using this product. Please read this operating manual carefully and make sure that you understand it. Keep these operation instructions in a safe place.

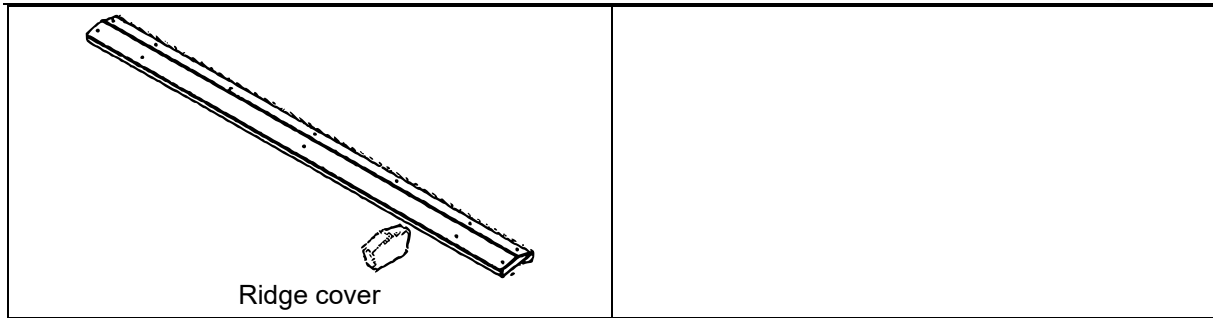
## Safety instructions

- Packing material is not a toy. Make sure that it is kept out of children's reach, and keep your pets away from it. **Danger of suffocation!**
- After unpacking, check the individual pieces of the hutch for damages. In case you remark damages on individual pieces, do not assemble the doghouse, but contact the vendor first.
- After unpacking, wait 2 to 3 days and leave the pieces outside to allow them to adapt to environmental conditions. Thus, warping of the wood after assembly is avoided.
- Each improper use of the hutch can lead to material damages and/or personal injuries. Therefore, check the hutch for damages before each use. Have the hutch repaired soon.
- It is not allowed to modify the hutch. Modifications will void warranty.
- Have an expert perform repairs.
- During assembly, wear protective gloves, protective goggles, and safety shoes.
- The screws must not protrude from the wood. Make sure that they are always flush with the wooden parts of the hutch.
- During assembly of the hutch, children, and persons with reduced physical, sensory, or mental abilities must be kept from the sandpit.
- For safety reasons and to avoid personal injuries, file off sharp edges with a suitable abrasive.

## Parts

| Figure   | Figure  |
|--|---|
| <p><b><u>MAIN HUTCH</u></b></p>  <p>Front panel</p> |  <p>Rear panel</p> |
|  <p>Left side panel</p>                             |  <p>Ramp</p>        |

|                         |                           |
|-------------------------|---------------------------|
| <p>Roof</p>             | <p>Centre panel</p>       |
| <p>Ridge cover</p>      | <p>Divider</p>            |
| <p>Drawer bin</p>       | <p>Drawer-bin holders</p> |
| <p><b>FREE RUN</b></p>  |                           |
| <p>Rear panel</p>       | <p>Front panel</p>        |
| <p>Right side panel</p> | <p>Roof</p>               |

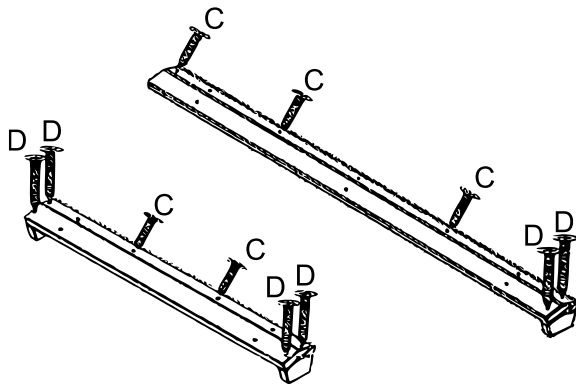


*Screwing material*

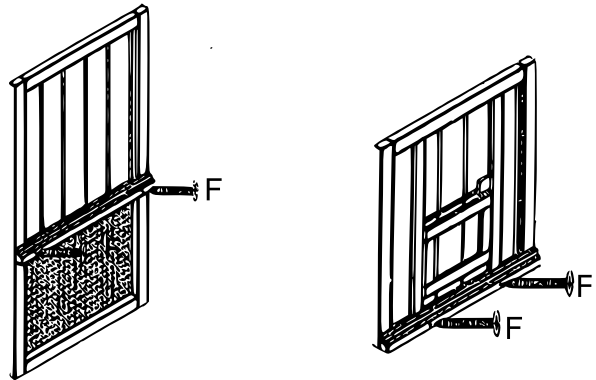
| Letter | Figure | Qty. | Letter | Figure | Qty. |
|--------|--------|------|--------|--------|------|
| A      | 3.5×40 | 14   | D      | 3.0×25 | 12   |
| B      | 3.5×50 | 4    | E      | 3.5×30 | 12   |
| C      | 3.5×12 | 7    | F      | 3.0×38 | 8    |

**Assembly**

*1<sup>st</sup> step*

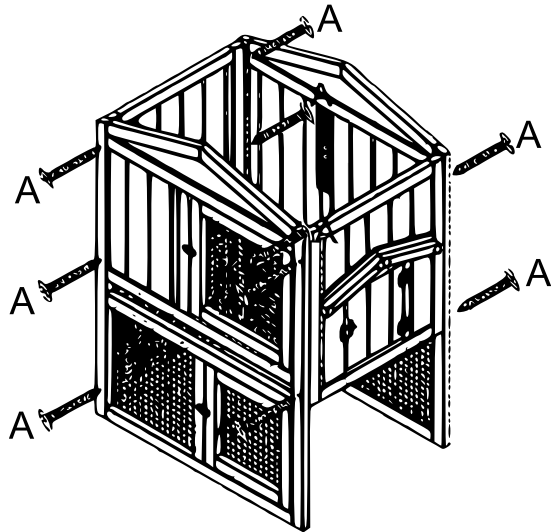


*2<sup>nd</sup> step*

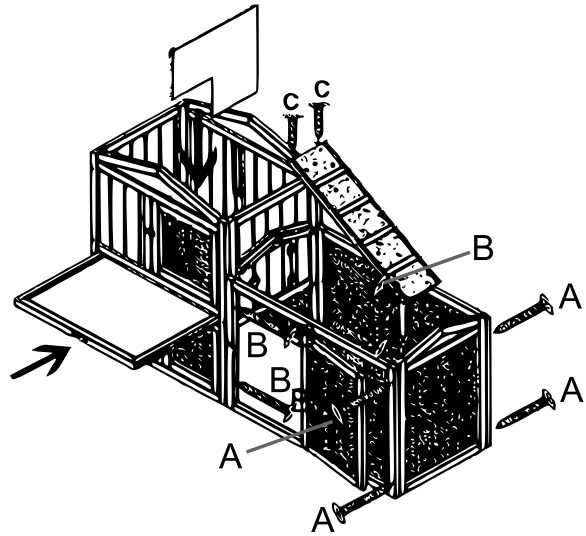


Attach the rear brackets to the left wall and centre wall using screws.

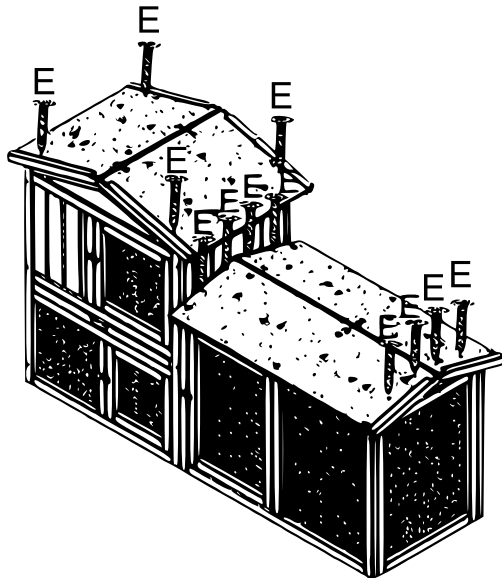
3<sup>rd</sup> step



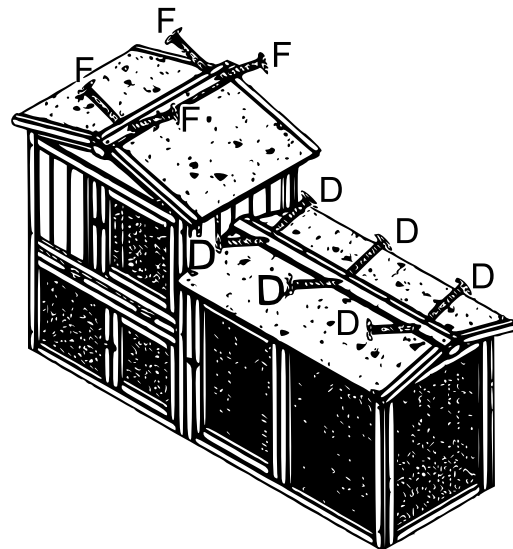
4<sup>th</sup> step



5<sup>th</sup> step



6<sup>th</sup> step



**Done!**  
**We wish your small animals a pleasant stay in its new house!**

Important Note:

Reproduction and any commercial use (of parts) of this operating manual, requires a written permission of WilTec Wildanger Technik GmbH.