

Operation Manual

Floating Pond Skimmer with Pump and Fountain

CSP-250

50106



Illustrations similar, may vary depending on model

Read and follow the operating instructions and safety information before using for the first time.

Technical changes reserved!

Due to further developments, illustrations, functioning steps, and technical data can differ insignificantly.

Updating the documentation

If you have suggestions for improvement or have found any irregularities, please contact us.



The information contained in this document may alter at any time without previous notice. It is prohibited to copy or spread any parts of this document in any way without prior written allowance. All rights reserved.

The WilTec Wildanger Technik GmbH cannot be held accountable for any possible mistakes in this operating manual, nor in the diagrams and figures shown.

Even though, the WilTec Wildanger Technik GmbH has undergone biggest possible efforts to ensure that the operating manual is complete, faultless, and up to date, mistakes cannot be entirely avoided.

If you should find a mistake or wish to make a suggestion for improvement, we look forward to hearing from you.

Send an e-mail to:

service@wiltec.info

or use our contact form:

<https://www.wiltec.de/contacts/>

The most recent version of this manual in various languages can be found in our online shop via:

<https://www.wiltec.de/docsearch>

Our postal address is:

WilTec Wildanger Technik GmbH
Königsbenden 12
52249 Eschweiler
Germany

To return orders for exchange, repair, or other purposes, please use the following address. Attention! To allow for a smooth execution of your complaint or return, it is important to contact our customer service team before returning the goods.

Returns Department
WilTec Wildanger Technik GmbH
Königsbenden 28
52249 Eschweiler

E-mail: **service@wiltec.info**

Tel: +49 2403 55592-0

Fax: +49 2403 55592-15



Introduction

Thank you for purchasing this quality product. **To minimise the risk of injury we urge that our clients take some basic safety precautions when using this device. Please read the operation instructions carefully and make sure you have understood its content.**

Keep these operation instructions safe.

Safety guideline



BEWARE:

The use of this device is allowed on standing water bodies, garden pond water or swimming ponds and their surrounding areas is only allowed with a fault current protection-switch with a triggering nominal current up to 30 mA (according to VDE 0100 article 702 and 738).

The device is not suitable for use in swimming pools, paddling pools and other water bodies where there are people or animals during operation. The operation of the device during the presence of people and animals in the danger zone is not allowed. Ask your electrician.

The device is not intended for use by persons (including children) with impaired or limited physical, sensory, and mental abilities or lack of experience and/or real knowledge, unless they are supervised by a person responsible for their safety or follow the instructions made by this person on how to use the device correctly.

Children should be supervised to make sure that they do not play with the device.



ATTENTION:

- Run a visual inspection of the device before every use. Do not use the device if the safety appliances are damaged or worn out. Never override safety regulations.
- Use the device exclusively according to the intended purpose stated in the instructions for use.
- You are responsible for the safety of the working environment.
- If the cable or the plug is damaged due to external influences, the cable must not be repaired! It must be replaced with a new one. This work can be carried out only by an electrician.
- The voltage indicated on the type plate of the device of 230 V AC must correspond to the exist-ent mains voltage.
- Never lift, carry, or fix the device by using the power cable.
- Make sure that the electrical plug connection is placed in a flood-proof area and is protected from moisture.
- The user is responsible for the compliance with local safety and installing regulations. Ask an electrician.
- In case of malfunction, the repair work can be carried out only by a qualified electrician.
- The appliance must not run dry or with an intake port completely closed. The manufacturer's warranty is no longer valid if the damage is caused by dry running.
- The appliance must not run dry or with a completely closed intake port. The manufacturer's guarantee is no longer valid if the damage is caused by dry running.
- The appliance must not be used for swimming pools.
- If the device is damaged it should not be used.
- If no water is pumped, the device must be shut down.
- In case of frost the device must be removed and stored in a dry and frost-free place.



WARNING:

Read carefully all the safety guidelines and the instructions.

Non-compliance with the safety rules and regulations can lead to an electric shock, fire, and/or serious injury. Keep the instructions and the safety guidelines in a safe place in case you need them in the future.



Stability

- The temperature of the conveyed liquid should not exceed +35 °C in permanent operation.
- The conveyance of flammable, gassing or explosive fluids is forbidden. This pump cannot be used for other fluids particularly not for motor fuels, cleaning agents or other chemical products.

Electrical connection

The electrical connection takes place via an electric safety socket 230 V ~ 50 Hz. Fuse protection at least 10 A.



Caution:

- When carrying out any maintenance work, the skimmer must be disconnected from the power supply.
- The skimmer can be commissioned/started only if it is FULLY assembled.
- Do not repair or otherwise work on the running skimmer.
- The skimmer MUST NOT be lifted or carried by the cable.
- Do not let the skimmer run dry (operate without water).
- In case of frost, remove the skimmer.
- The device cannot be operated in alkaline or acidic water and without water. The water level must reach at least 300 mm.
- Do not turn on the device if persons or animals stay in the water.
- Attention should be paid to national regulations concerning its use. When the device is installed the domestic installation rules must be respected.
- Do not pull on the connection cable. Keep the cable away from heat, grease, and sharp objects.

Technical data

Model	Power (W)	Voltage (V)	Frequency (Hz)	Delivery rate (l/h)	Cable length (m)
CSP-250	45	230	50	2000	10

Installing the skimmer

- Before installing, maintenance, or repair work, the plug must be unplugged.
- The device should be placed on the water surface.
- The skimmer can be used in a garden pond or in a container with water.
- The water should be at least 300 mm deep.
- Anchor the device to reduce its range of movements.
- Do not let the skimmer run dry.

Commissioning

Place the assembled floating skimmer on the desired spot in your pond and insert the plug in a properly installed wall outlet. The pump is now operating, sucking surface water via the floating ring. If its performance decreases, clean the filter basket and sponge.



Functionality

A clean and clear water surface is the first requirement for a better view into the pond. Especially for this purpose, WilTec has developed a surface suction device. This skimmer runs on the pond and sucks in the dirt from the water surface continuously by means of a built-in pump. The pump capacity amounts to 2000 ½ and it keeps 25 m² pond surface clear

Maintenance and cleaning

During maintenance and cleaning work plug out the power cable. It is possible (depending on the degree of dirt/soiling), that the rotor of the built-in pump must be cleaned.

Proceed as follows:

1. Pull out the plug and remove the skimmer from the pond.
2. Remove the skimmer strainer and the filter sponge.
3. Carefully dismantle the pond pump from the pump housing.
4. Clean the pump and the pump housing.
5. Then reassembly the skimmer in reversed order.
6. For cleaning or replacing the skimmer strainer or the filter sponges follow the same procedure.

For cleaning, only use pond water, by no means sharp-edged items (e.g., screwdriver, knife).

Parts list

No	Name	No	Name
50106-01	Floating body	50106-12	Top piece fixing basket
50106-02	Dirt collection basket	50106-13	Fixing basket
50106-03	Floater	50106-14	Fixing chain
50106-04	Base	50106-15	Screws
50106-05	Floater bracket	50106-16	Fountain nozzle 1
50106-06	Connection piece	50106-17	Fountain nozzle 2
50106-07	Sealing ring	50106-18	Fountain nozzle 3
50106-08	Stepped hose tail	50106-19	Fountain nozzle 4
50106-09	Union nut	50106-20	Fountain nozzle 5
50106-10	Filter cover (insert dirt collection basket)	50106-21	Fountain bar/rod
50106-11	Top piece filter cover	50106-22	Fountain nozzle 6



50106-01



50106-02



50106-03



50106-04



50106-05



50106-06



50106-07



50106-08



50106-09



50106-10



50106-11



50106-12



50106-13



50106-14



50106-15



50106-16



50106-17



50106-18



50106-19



50106-20

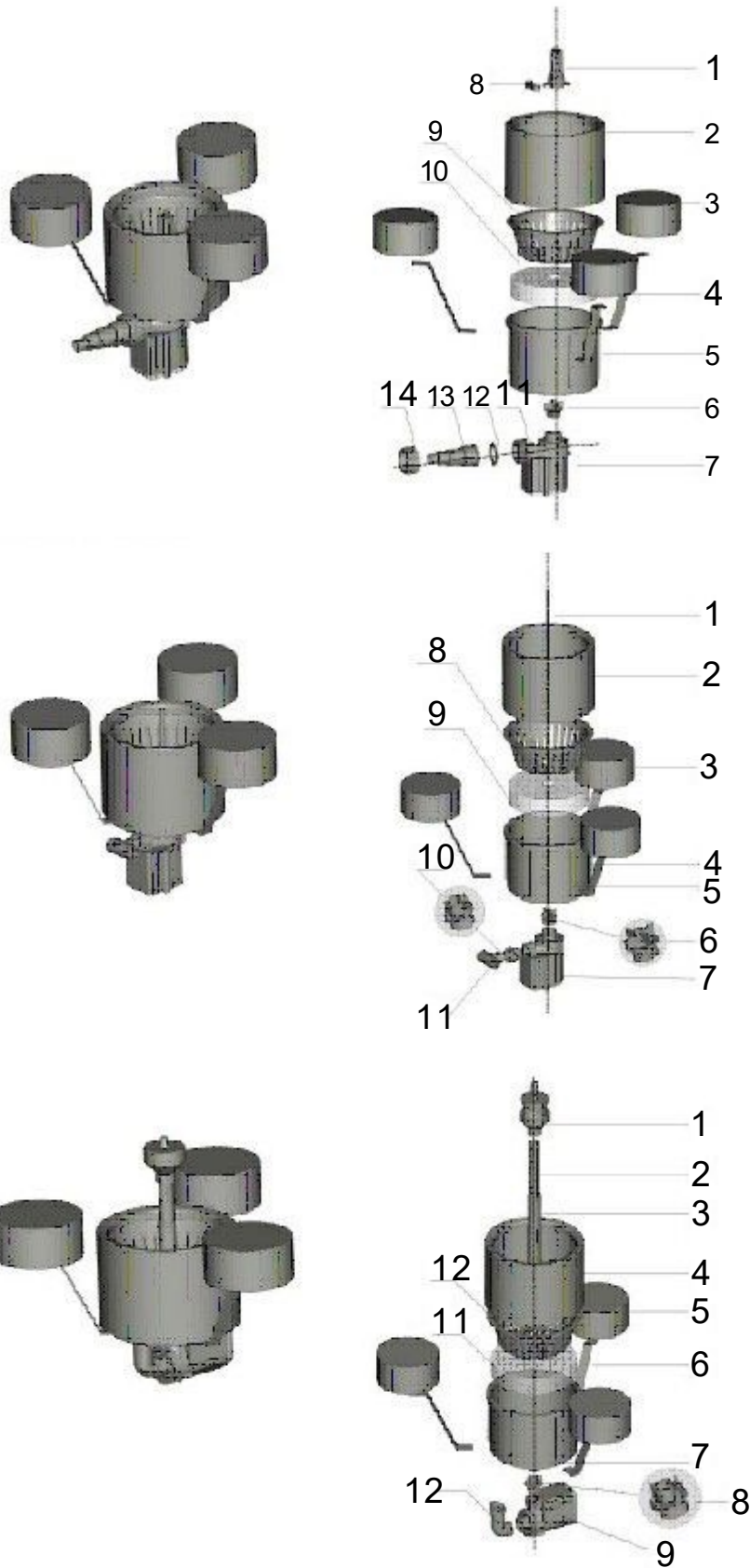


50106-21



50106-22

Assembly variants 1 to 3





Assembly description with example 3

1. Fountain nozzle (optional)
2. Fountain rod/bar
3. Fountain rod/bar
4. Floating body
5. Floater
6. Floater bracket /holder
7. Base
8. Fountain connection
9. Water pump
10. Filter basket
11. Sponge
12. Angle connection piece

Assembly fixing basket

The fixing basket is assembled from two dirt collection baskets and the fixing basket – top piece.

Installation

1. Full assembly.
2. Fill the fixing basket with stones for example, so that the skimmer has optimal lift /boost. The basket should float freely and hold the skimmer in the water.

Maintenance

Empty the filter basket **(10)** if necessary; at the same time, clean the sponge **(11)** by rinsing it.

Operation Manual

Short manual for skimmer CSP-250

50106



Illustrations similar, may vary depending on model

Introduction

The assembly variants depicted are standard assemblies. Should you have questions on assembly, our customer service will be glad to help you.

Skimmer without fountain



Verbinden sie die Pumpe (1) mit Hilfe der Fixierung (8) mit dem Filterkorb (5)



Verbinden sie Teil (9) mit dem freien Anschluss an der Pumpe. Schrauben sie die Schlauchstufentülle (2) mit Hilfe der Überwurfmutter (3) und dem O-Ring (4) mit der Pumpe.



- Connect the pump (1) with the filter basket (5) by using the fixation (8).
- Connect part (9) with the free connection to the pump.
- Screw/attach the stepped hose tail (2) to the pump by using the union nut (3) and O-ring (4).
- Insert the filter sponges (10) in the filter basket (5).
- Apply part (7) on the filter sponges and fix it with part (6). Screw part (11) in the middle.
- Insert the filter sponge (12) in the small filter basket and screw it on as illustrated.

With fountain function

See pictures below.

- Connect part (4) with the pump as illustrated.
- Connect the pump (1) with the filter basket (5) by using the fixation.
- Insert the filter sponges (10) in the filter basket (5).
- Put together (connect) parts (2)/(8)/(9) as illustrated.
- Apply part (7) on the filter sponges and fixate it with part (6). Then insert the pre-assembled fountain nozzle.

Benötigte Teile



Filterschwämme (10) in den Filterkorb (5) einsetzen.



Die Teile (2) / (8) / (9) wie abgebildet zusammenstecken.



Teil (7) auf die Filterschwämme auflegen und mit Teil (6) fixieren. Dann den montierten Springbrunnenaufsatz aufstecken.

Disposal regulations

EU guidelines regarding the disposal of scrap electric appliances (WEEE, 2012/19/EU) were implemented in the law related to electrical and electronic equipment and appliances.

All WiITec electric devices that fall under the WEEE regulations are labelled with the crossed-out wheeled waste bin logo. This logo indicates that this electric equipment must not be disposed with the domestic waste.

The company WiITec Technik GmbH has been registered in the German registry EAR under the WEEE-registration number DE45283704.

Disposal of used electrical and electronic appliances (intended for use in the countries of the European Union and other European countries with a separate collection system for these appliances).

The logo on the article or on its packaging points out that this article must not be treated as normal household waste but must be disposed to a recycling collection point for electronic and electrical waste equipment. By contributing to the correct disposal of this article you protect the environment and the health of your fellow men. Environment and health are threatened by inappropriate disposal.



Material recycling helps reduce the consumption of raw materials.

Additional information on recycling this article can be provided by your local community, municipal waste disposal facilities, or the store where you purchased the article.

Address:
 WiITec Wildanger Technik GmbH
 Königsbenden 12 / 28
 D-52249 Eschweiler

Important notice:

The reprint or reproduction, even of excerpts, and any commercial use, even in part, of this instruction manual require the written permission of WiITec Wildanger Technik GmbH.