

Operation Manual

Jebao Pond Skimmer SK-30, SK-40, SK-50

50117, 50118, 50119

wiltec



Illustration similar, may vary depending on model

Read and follow the operating instructions and safety information before using for the first time.

Technical changes reserved!

Due to further developments, illustrations, functioning steps, and technical data can differ insignificantly.

Updating the documentation

If you have suggestions for improvement or have found any irregularities, please contact us.



The information contained in this document may alter at any time without previous notice. It is prohibited to copy or spread any parts of this document in any way without prior written allowance. All rights reserved.

The WilTec Wildanger Technik GmbH cannot be held accountable for any possible mistakes in this operating manual, nor in the diagrams and figures shown.

Even though, the WilTec Wildanger Technik GmbH has undergone biggest possible efforts to ensure that the operating manual is complete, faultless, and up to date, mistakes cannot be entirely avoided.

If you should find a mistake or wish to make a suggestion for improvement, we look forward to hearing from you.

Send an e-mail to:

service@wiltec.info

or use our contact form:

<https://www.wiltec.de/contacts/>

The most recent version of this manual in various languages can be found in our online shop via:

<https://www.wiltec.de/docsearch>

Our postal address is:

WilTec Wildanger Technik GmbH
Königsbenden 12
52249 Eschweiler
Germany

To return orders for exchange, repair, or other purposes, please use the following address. Attention! To allow for a smooth execution of your complaint or return, it is important to contact our customer service team before returning the goods.

Returns Department
WilTec Wildanger Technik GmbH
Königsbenden 28
52249 Eschweiler

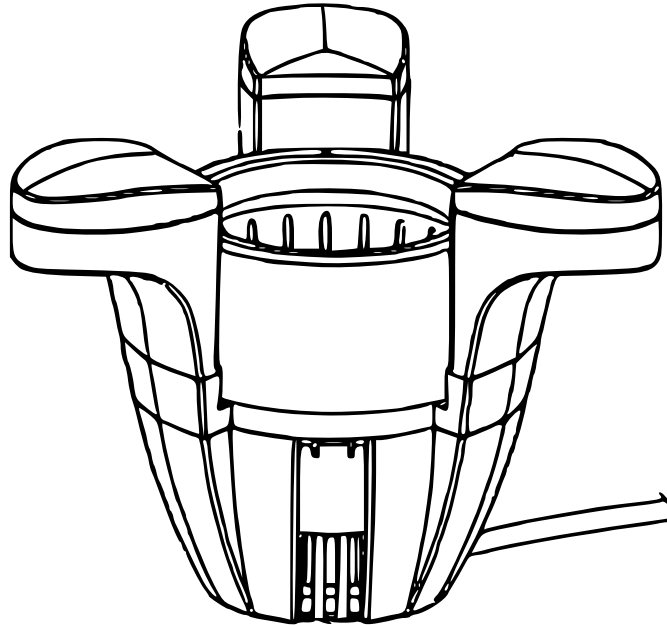
E-mail: **service@wiltec.info**

Tel: +49 2403 55592-0

Fax: +49 2403 55592-15

Introduction

Thank you for purchasing this quality product. **To minimise the risk of injury we urge that our clients take some basic safety precautions when using this device. Please read the operation instructions carefully and make sure you have understood its content.** Keep these operation instructions safe.



Warning

- This skimmer is supplied with a grounding conductor and a grounding type attachment plug. To reduce risk of electric shock, connect only to a properly grounded outlet.
- Do not connect to any voltage other than that shown on the skimmer.
- Do not skim flammable liquids.
- The skimmer floats on the water surface, but the pump must be inside the water.
- Do not use the device with water above 35 °C.
- The supply cord cannot be replaced. If the cord is damaged, the device should be scrapped.

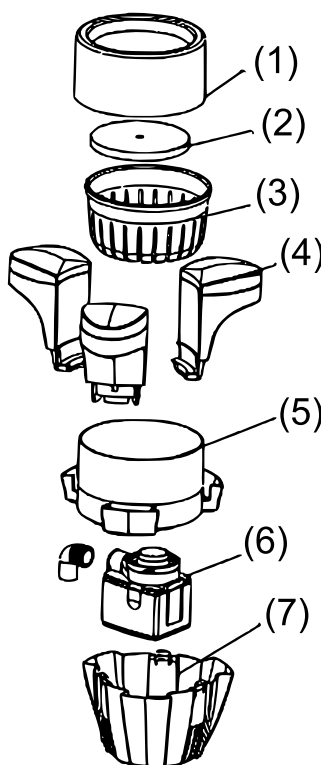
CAUTION

- Always disconnect the device from electrical outlet before handling the skimmer.
- Do not operate without water.
- Do not lift the skimmer by the power cord.
- Operate in freshwater only.

Installation and performance

Install the skimmer in reference to the image. The skimmer floating rate is adjustable. The skimmer collects leaves fallen onto the water surface. An inner filter which is blocked interferes with this function. When used on a water surface that is quite dirty, the skimmer should be raised slightly to reduce the amount of dirt let in by the skimmer.

The skimmer is to be supplied through a residual current device with a rated residual operating current not exceeding 30 mA.



No	Name
1	Water ring
2	Filter cartoon
3	Skep
4	Auricular angle
5	Main body
6	Water pump
7	Bottom cover

Maintenance

To clean the filter pump, remove the back cover and impeller. Use a small brush or a stream of water to remove any dirt.

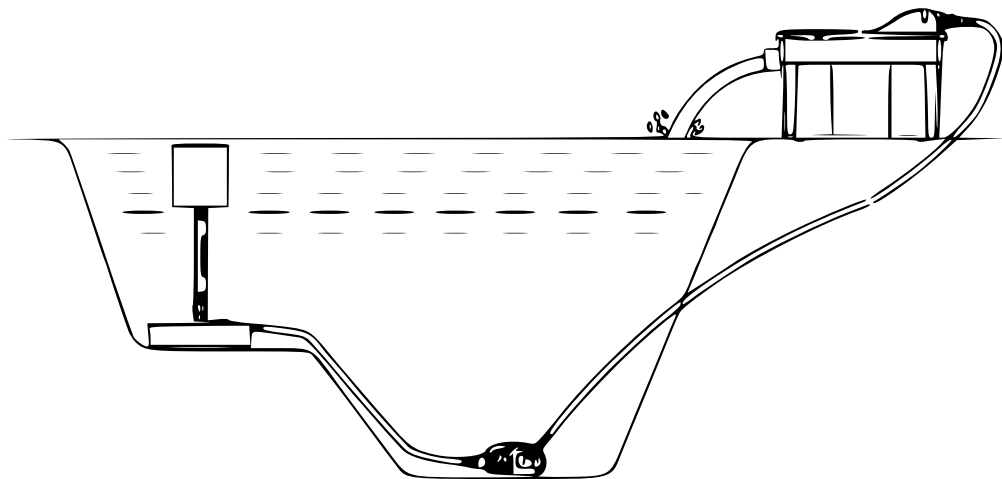
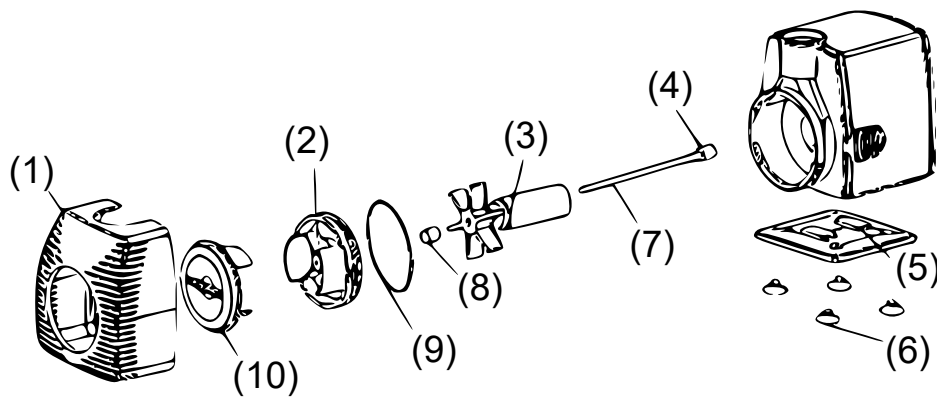
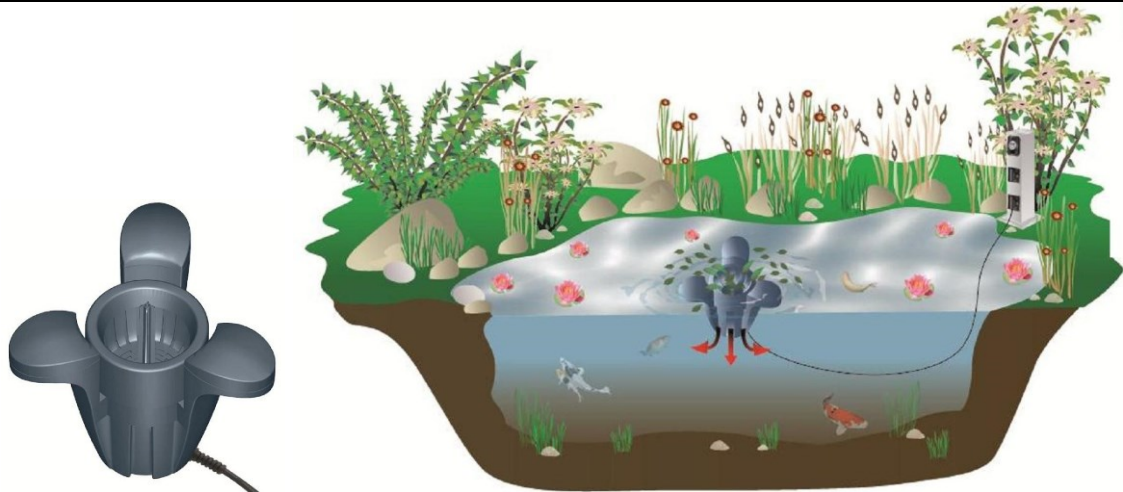
Attention: The pump shaft cannot be removed.

If the pump fails to operate:

- Check the fuse and try another plug to ensure the skimmer is getting electrical power.
- NOTE: Always disconnect from current supply before manipulating the skimmer.
- Check the skimmer outlet and tubing for kinks and obstructions. Algae build up can be flushed out with a garden hose.
- Check the inlet to ensure it is not clogged with dirt.
- Remove the skimmer inside pump inlet to access the impeller area. Turn the rotor to ensure it is not broken or blocked.

Monthly maintenance will prolong the operation life of the skimmer.

Caution: Ensure that the electrical cord forms a loop below the electrical outlet to form a “Drip Loop,” which prevents water from running down the cord into the point.



Nº	Name	Nº	Name
1	Front cover	6	Suction cups
2	Water outlet	7	Shaft
3	Impeller	8	Shaft cover
4	Shaft cover	9	O-ring
5	Suction cups holder	10	Regulator

Disposal regulations

EU guidelines regarding the disposal of scrap electric appliances (WEEE, 2012/19/EU) were implemented in the law related to electrical and electronic equipment and appliances.

All WilTec electric devices that fall under the WEEE regulations are labelled with the crossed-out wheeled waste bin logo. This logo indicates that this electric equipment must not be disposed with the domestic waste.

The company WilTec Technik GmbH has been registered in the German registry EAR under the WEEE-registration number DE45283704.

Disposal of used electrical and electronic appliances (intended for use in the countries of the European Union and other European countries with a separate collection system for these appliances).

The logo on the article or on its packaging points out that this article must not be treated as normal household waste but must be disposed to a recycling collection point for electronic and electrical waste equipment. By contributing to the correct disposal of this article you protect the environment and the health of your fellow men. Environment and health are threatened by inappropriate disposal.



Material recycling helps reduce the consumption of raw materials.

Additional information on recycling this article can be provided by your local community, municipal waste disposal facilities, or the store where you purchased the article.

Address:
 WilTec Wildanger Technik GmbH
 Königsbenden 12 / 28
 D-52249 Eschweiler

Important notice:

The reprint or reproduction, even of excerpts, and any commercial use, even in part, of this instruction manual require the written permission of WilTec Wildanger Technik GmbH.