

Operation Manual

Pond Pump CTP series

50199, 50201, 50203, 50209, 50211, 50213, 50215–50220



Illustration similar, may vary depending on model

Read and follow the operating instructions and safety information before using for the first time.

Technical changes reserved!

Due to further developments, illustrations, functioning steps, and technical data can differ insignificantly.

Updating the documentation

If you have suggestions for improvement or have found any irregularities, please contact us.



The information contained in this document may alter at any time without previous notice. It is prohibited to copy or spread any parts of this document in any way without prior written allowance. All rights reserved.

The WilTec Wildanger Technik GmbH cannot be held accountable for any possible mistakes in this operating manual, nor in the diagrams and figures shown.

Even though, the WilTec Wildanger Technik GmbH has undergone biggest possible efforts to ensure that the operating manual is complete, faultless, and up to date, mistakes cannot be entirely avoided.

If you should find a mistake or wish to make a suggestion for improvement, we look forward to hearing from you.

Send an e-mail to:

service@wiltec.info

or use our contact form:

<https://www.wiltec.de/contacts/>

The most recent version of this manual in various languages can be found in our online shop via:

<https://www.wiltec.de/docsearch>

Our postal address is:

WilTec Wildanger Technik GmbH
Königsbenden 12
52249 Eschweiler
Germany

To return orders for exchange, repair, or other purposes, please use the following address. Attention! To allow for a smooth execution of your complaint or return, it is important to contact our customer service team before returning the goods.

Returns Department
WilTec Wildanger Technik GmbH
Königsbenden 28
52249 Eschweiler

E-mail: **service@wiltec.info**

Tel: +49 2403 55592-0

Fax: +49 2403 55592-15



Introduction

Thank you for purchasing this quality product. **To minimise the risk of injury we urge that our clients take some basic safety precautions when using this device. Please read the operation instructions carefully and make sure you have understood its content.**

Keep these operation instructions safe.

ATTENTION:

The use of this device is allowed on standing water bodies, garden ponds or swimming ponds and their surrounding areas only with fault current protection-switch with a triggering nominal current up to 30 mA (according to VDE 0100 Article 702 and 738).

The device is not suitable for use in swimming pools, paddling pools and other bodies of water where people swim during operation. The operation of the device is not allowed whilst people are in the danger zone. Ask your electrician.

The device is not intended for use by persons (including children) with impaired or limited physical, sensory, and mental abilities or lack of experience and/or real knowledge, unless they are supervised by a person responsible for their safety or have received by this person instructions on how to use the device correctly.

Children should be supervised to make sure that they do not play with the device.

ATTENTION:

- Perform a visual inspection of the device before every use. Do not use the device if the safety appliances are damaged or worn out. Never override safety regulations.
- Use the device exclusively according to the intended purpose stated in the instructions for use.
- You are responsible for the safety of the working environment.
- If the cable or the plug is damaged due to external influences the cable must not be repaired! It must be replaced with a new one. This work can be carried out only by an electrician.
- The voltage indicated on the type plate of the device of 230 V AC must correspond to the existent mains voltage.
- Never lift, carry, or suspend the device by using the power cable.
- Make sure that the electrical plug connection is protected from flood and moisture.
- Before working on the pond pump disconnect the it from the current.
- The user is responsible for the compliance with location specific safety and installing regulations. Ask an electrician if you have any question.
- Consequential damage arising from flooded rooms caused by dysfunctions of the appliance must be avoided by means of the appropriate measures (installing an alarm system, reserve pump).
- In case of malfunction, the repair work can be carried out only by a qualified electrician.
- The appliance must not run dry or with a completely closed intake port. The manufacturer's guarantee is no longer valid if the damage is caused by dry running.
- The appliance must not be used for swimming pools.
- The device cannot be employed for drinking water circuits.

WARNING:

Read carefully all the safety guidelines and instructions. Non-compliance with the safety rules and regulations can lead to an electric shock, fire, and/or serious injury.

Keep the instructions and the safety guidelines in a safe place in case you need them in the future.

Stability

- The max. temperature of the transported liquid should not exceed +35 °C in permanent operation.

- The transport of aggressive fluids (acids, bases, etc.) as well as of abrasive substances (for example sand) must be avoided.

Electrical connection

- The electrical connection takes place via an electric safety socket of 230 V ~ 50 Hz. Fuse protection at least 10 A.
- The engine is protected against overloading or blocking by means of a built-in motor protection. In case of overheating, the pump is turned off automatically due to the overheat protection, and after having cooled down, the pump is automatically started.

Power connection

The pond pump is equipped with a safety plug. The device is designed for connection to an isolated ground receptacle with 230 V~50 Hz. Make sure that the socket outlet is sufficiently fused (at least 6 A) and safe. Insert the plug in the socket outlet and the pond pump is ready for use.



Note:

Installation

Please put the pump under water and make sure that no water may get into the socket.

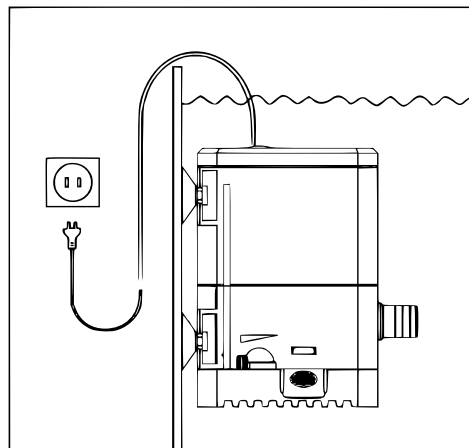


Figure 1

The pump is to be installed as follows: in a fixed position with fixed or flexible hose.

Use as submersed pump (see Fig. 1)

Immerse the pump into the pond water so that it is filled with water. To prevent the filter from prematurely blocking, position the pump above the pond mud. The pump is started by plugging in the mains plug.

Operation

After having read the installation instructions carefully, you can start the new pump if you note the following aspects:

1. Check if the pressure pipes have been installed properly.
2. Make sure that the electrical connection is 230 V~50 Hz.
3. Check if the socket works properly.
4. Make sure that moisture or water never reaches the mains connection.
5. Install the pump beneath the water surface.
6. Avoid that the pump runs dry.

7. Do not use the pump without filter basket, that protects it from large impurities that can block the pump.

Hints for maintenance

The pond motor pump is a maintenance-free and a practice-proven quality product that was subjected to rigorous final inspections. For a long working life and continuous operation, we recommend regular checking and proper care on a weekly basis.

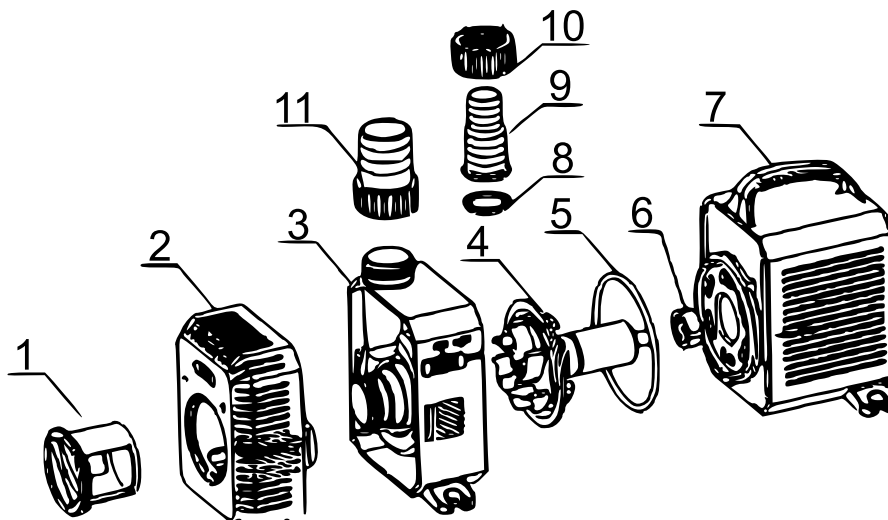
Overload protection

The pump has an integrated overheat protection. After the pump has been stopped by the overheat control device, it must cool down for a while before being able to run again. In case it does not run again by itself, the following checks shall be made:

Could the pump cool down sufficiently after having been stopped by the overheat protection?

- | | | |
|----------------------------------|---|---------------------------|
| Is the water supply sufficient? | > | Improve the water supply! |
| Is the filter contaminated? | > | Clean it (see below)! |
| Is the hose or the pipe blocked? | > | Clean them! |
| Is the hose broken, too long? | > | Check, replace, shorten! |

Main components



No	Name	No	Name	No	Name	No	Name
1	Adjuster*	4	Rotor subassembly	7	Motor body	10	Outlet nut
2	Filter basket	5	O-ring	8	Seal	11	1/4" outlet
3	Pump housing	6	Bearing	9	Outlet		

* Depending on the model. The models 50199–50216 are adjustable, the models 50217–50220 cannot be adjusted.

Wintering

1. Take the pump out of the water and disconnect it from the power supply.
2. Clean the pump as described in the instructions.
3. Check the pump for damage such as cracks in the housing.
4. Please store the pump under frost-free condition and, if possible, in a container with water.

Maintenance and cleaning



Image 1:
Adjust the flow rate.

Image 2:
Turn the filter case in the direction of arrow, then take it out.

Image 3:
Press the blue button in order to open the filter housing.

Image 4:
Keep hold on the blue switch and rotate the flap on the motor housing in the direction of arrow.

Image 5:
Pull the impeller and the pump shaft out of the housing to clean them.

Image 6:
Make sure that the O-ring is properly mounted again before you reassemble the pump.



Technical data

Item number	Model	Power input (W)	Pumping head (m)	Max. flow rate (l/h)	Min. flow rate (l/h)	Size (mm)
50199	CTP-2800	10	2.0	3000	1070	172 × 113 × 126
50201	CTP-3800	20	2.8	3600	1200	172 × 113 × 126
50203	CTP-4800	30	4.0	4500	1365	172 × 113 × 126
50209	CTP-5800	40	4.8	5200	1415	172 × 113 × 126
50211	CTP-5000	30	3.2	5000	1680	188 × 131 × 149
50213	CTP-6000	40	4.2	6000	1950	188 × 131 × 149
50215	CTP-7000	50	4.6	7000	2230	188 × 131 × 149
50216	CTP-8000	70	5.6	8000	2270	188 × 131 × 149
50217	CTP-10000	80	6.0	10,000	2200	208 × 138 × 158
50218	CTP-12000	100	6.5	12,000	2250	208 × 138 × 158
50219	CTP-14000	120	7.0	14,000	2300	208 × 138 × 158
50220	CTP-16000	140	7.5	16,000	2350	208 × 138 × 158

Disposal regulations

EU guidelines regarding the disposal of scrap electric appliances (WEEE, 2012/19/EU) were implemented in the law related to electrical and electronic equipment and appliances.

All WilTec electric devices that fall under the WEEE regulations are labelled with the crossed-out wheeled waste bin logo. This logo indicates that this electric equipment must not be disposed with the domestic waste.

The company WilTec Technik GmbH has been registered in the German registry EAR under the WEEE-registration number DE45283704.

Disposal of used electrical and electronic appliances (intended for use in the countries of the European Union and other European countries with a separate collection system for these appliances).

The logo on the article or on its packaging points out that this article must not be treated as normal household waste but must be disposed to a recycling collection point for electronic and electrical waste equipment. By contributing to the correct disposal of this article you protect the environment and the health of your fellow men. Environment and health are threatened by inappropriate disposal.



Material recycling helps reduce the consumption of raw materials.

Additional information on recycling this article can be provided by your local community, municipal waste disposal facilities, or the store where you purchased the article.

Address:
 WilTec Wildanger Technik GmbH
 Königsbenden 12 / 28
 D-52249 Eschweiler

Important notice:

The reprint or reproduction, even of excerpts, and any commercial use, even in part, of this instruction manual require the written permission of WilTec Wildanger Technik GmbH.