

Operation Manual

Aquarium Vibration Pump Wave Maker

50233-50238, 50453-50455



Illustration similar, may vary depending on model

Please read and follow the operating instructions and safety information prior to initial operation.

Technical changes reserved!

Illustrations, functional steps, and technical data may deviate insignificantly due to continuous further developments.



The information contained in this document may alter at any time without prior notice. No part of this document may be copied or otherwise duplicated without prior written consent. All rights reserved.

WilTec Wildanger Technik GmbH cannot be held liable for any possible mistakes in this operating manual, nor in the diagrams and illustrations shown.

Although WilTec Wildanger Technik GmbH has made every possible effort to ensure that this operating manual is complete, accurate, and up-to-date, errors cannot be ruled out entirely.

If you have found an error or wish to suggest an improvement, we look forward to hearing from you.

Send us an e-mail to:

service@wiltec.info

or use our contact form:

<https://www.wiltec.de/contacts/>

The most recent version of this manual in several languages can be found in our online shop:

<https://www.wiltec.de/docsearch>

Our postal address is:

WilTec Wildanger Technik GmbH
Königsbenden 12
52249 Eschweiler Germany

To return your goods for exchange, repair, or other purposes, please use the following address. Attention! To allow for a trouble-free complaint or return, it is important to contact our customer service team before returning your goods.

Retourenabteilung
WilTec Wildanger Technik GmbH
Königsbenden 28
52249 Eschweiler Germany

E-mail: **service@wiltec.info**

Phone: +49 2403 55592-0

Fax: (+49 2403 55592-15)



Introduction

Thank you for choosing to purchase this quality product. To minimise the risk of injury, we ask you to always take some basic safety precautions when using this product. Please read this operating manual carefully and make sure that you understand it.

Keep these operation instructions in a safe place.

This vibration pump simulates natural waves like in the ocean and imitates natural whirls; thus, it offers the fish and other aquatic organisms a species-appropriate surrounding.

Safety instructions



CAUTION:

The use of this device is only allowed with a fault current protection switch with a triggering nominal current up to 30 mA (according to VDE 0100 Article 702 and 738).

The device is not intended for use by persons (including children) with impaired or limited physical, sensory, and mental abilities or lack of experience and/or real knowledge, unless they are supervised by a person responsible for their safety or follow the instructions made by this person on how to correctly use the device.


Children should be supervised to ensure that they do not play with the device.



ATTENTION:

- Perform a visual inspection of the device before every use. Do not use the device if the safety appliances are damaged or worn out. Never override safety regulations.
- Only use the device accordingly to the intended purpose stated in this manual.
- You are responsible for the safety of the working zone.
- If the cable or the plug is damaged due to external influences, the cable must not be repaired. It must be replaced with a new one. This work can only be carried out by an electrician.
- The voltage of 230 V AC indicated on the type plate of the device must match the existent mains voltage.
- Never lift, carry, or fix the device by using the power cable.
- Make sure that the electric plug connections are protected from flood and humidity.
- Before working on the device (maintaining, repairing, cleaning it), pull out the plug.
- Avoid exposing the device to rain or direct jets of water.
- The user is responsible for complying with local safety and mounting regulations. Ask an electrician, if necessary.
- In case of device failure, repairs can only be carried out by an electrician.
- Read all safety precautions and instructions. Failure to obey the safety precautions and instructions might cause an electric shock, a fire, and/or severe injuries.
- Keep all safety precautions and instructions for future use.

Warning notices

-  **Attention:** Make sure that all parts of the pump are intact before switching the pump on. Do not connect to energy sources the voltage of which differs from the one stated on the device.
- No sand may be inside the pump; otherwise, certain components might be destroyed. Damages caused by presence of sand are not covered by warranty.
- Keep out of children's reach because of very strong magnetism.
- Place the magnets on either side of one aquarium wall. Avoid that your fingers or hands be jammed.



- In case the distance of the magnets is not more than 5 cm, the attractive force between the magnet, metal parts, and other magnets becomes very strong. To avoid injuries, keep them sufficiently away from edges, sharp objects, and other magnets.
- These magnets might cause permanent damages to electric or other devices such as pacemakers or credit cards. Therefore, keep them at a minimum distance of 30 cm.
- To avoid that the aquarium be damaged, the two magnets are installed as follows: Never move the magnets from both sides of the glass wall at a 180° angle towards each other, but place them offset on both sides and push them towards each other until they overlap.

Properties

- Low energy consumption
- System easy to install
- Suitable for aquaria with soft water and saltwater
- Fixation with suction cups or magnet holder (depending on model)

Installation

1. Clean the aquarium before fixing the pump. Dirt on the aquarium walls prevents proper installation. (Dirt particles have an impact on the hold of the magnets/suction cups.) In case the pump slides down, it might be damaged.
2. To avoid a disturbance caused by noise and vibrations and to ensure proper operation, the pump must be fixed beneath the water surface (see fig. 1).
3. To install the pump, first remove the cable.
4. Install the magnets or suction cups by setting the rotating axle into the rear part of the vibration pump (see fig. 2).
5. Plunge the pump entirely into the water and obey the respective steps to fix it to the walls of your aquarium. Then, you can connect the pump to the energy source.

Fixing the suction cup

1. Install the suction cup to the appropriate spot making sure that the small lever is not yet firmly pressed against the suction holder.
2. With the pump being on the desired spot, toggle the lever until it is firmly pressed against the suction holder (see fig. 3). The suction force will now keep your pump to the wall of the aquarium.

Fixing the magnet holder

1. In case your pump is equipped with a magnet holder, place the pump to the desired spot inside the aquarium.
2. Place the external magnet on the outside of the aquarium wall, but NOT directly against the pump.
3. Slowly slide the external magnet towards the spot where, on the inner part, the pump has been placed until both magnets overlap.



Important: The magnets are very strong and are to be handled with care. Do not let them go or drop them. Keep the magnets away from the aquarium holder for they might cause damages to the aquarium.



Figure 1

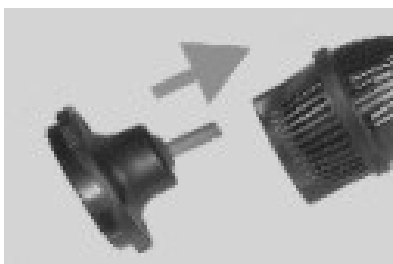


Figure 2



Figure 3

 **Caution**

- Make sure that the pump does not run dry.
- Only connect the device to the mains after installation.
- The plug must not come into contact with liquids; therefore, a drip loop is absolutely necessary.
- The pump and plug must not be modified or disassembled.

Maintenance

Regularly clean and maintain the vibration pump and its parts to extend their service life. To do so, proceed as follows:

1. Disconnect the pump from the mains by carefully pulling out the plug.
2. Take the pump out of the water. In case there is a magnet holder, seize the pump unit in the water with one hand and the external magnet – the one on the outer side of the aquarium wall – with the other hand. In case there is a suction cup, simply toggle the lever to detach the suction cup from the wall.
3. Open the pump unit as depicted in fig. 4.
4. Carefully clean the individual parts. Only use a cloth to carefully wipe the rotor clean, never use washing-up liquid or impregnating agent!
5. After cleaning, re-assemble the pump in reverse order. Make sure that both notches march and the spindle is placed correctly.

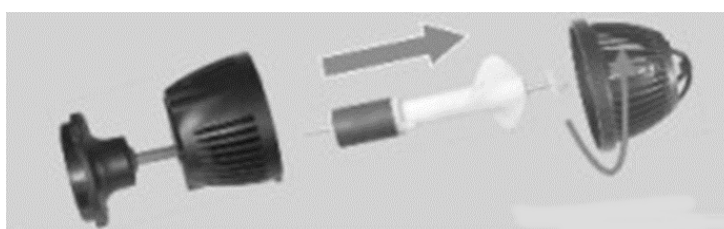


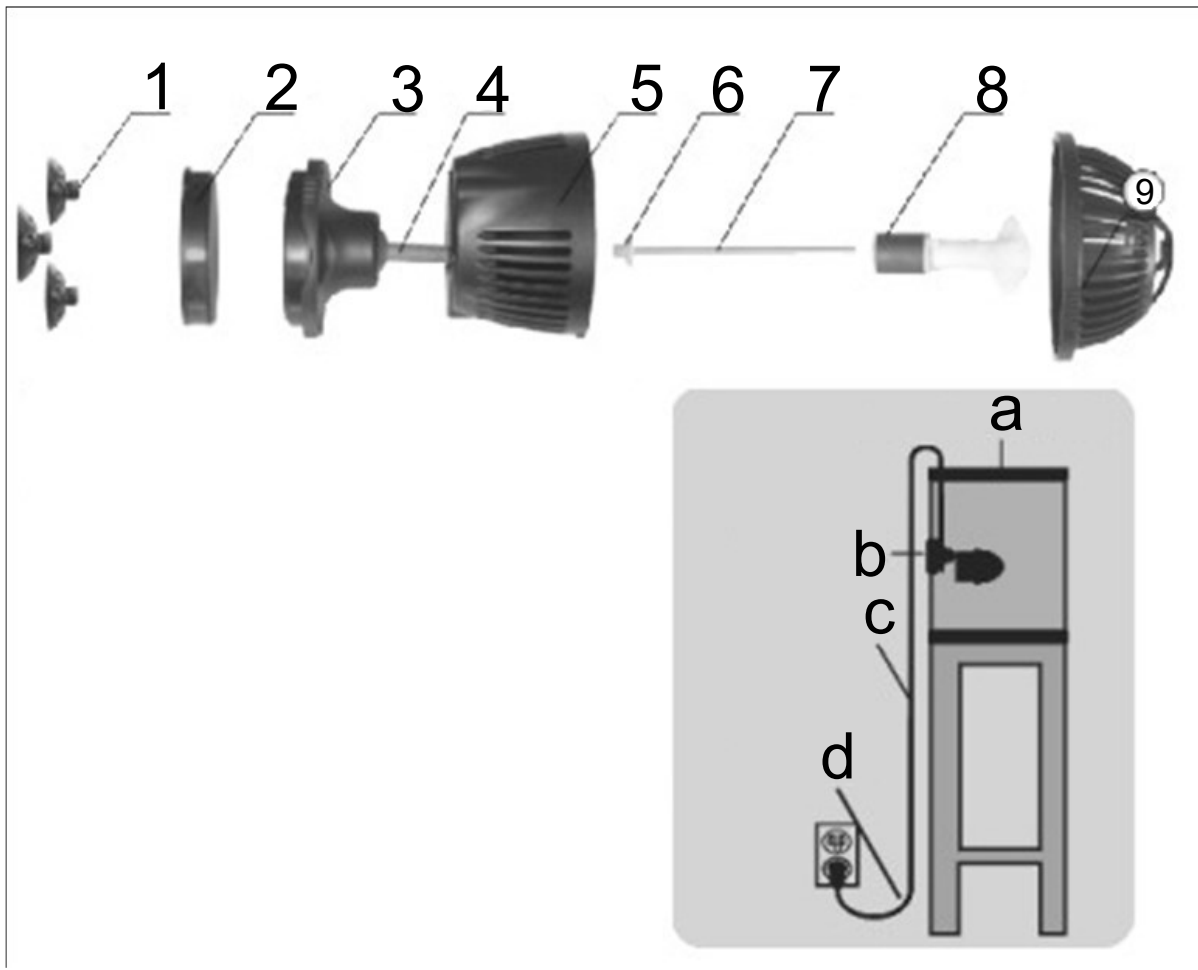
Figure 4

Technical specifications

| Item number | Model | Power supply | Power (W) | Flow rate (l/h) | Size (mm) |
|-------------|-----------|---------------|-----------|-----------------|-------------------------|
| 50233 | JVP-101A | 230 V / 50 Hz | 6 | 3000 | 102×77×77 ¹ |
| 50234 | JVP-102A | | 12 | 5000 | 106×83×83 ¹ |
| 50235 | JVP-201A | | 12 | 6000 | 85×123×74 ¹ |
| 50236 | JVP-201AB | | 12 | 6000 | 85×123×74 ¹ |
| 50237 | JVP-202A | | 24 | 12000 | 100×160×83 ¹ |
| 50238 | JVP-202AB | | 24 | 12000 | 100×160×83 ¹ |
| 50453 | JVP-110A | | 2.5 | 2000 | 70×40×55 |
| 50454 | JVP-200A | | 6 | 5000 | 80×115×65 |
| 50455 | JVP-120A | | 6 | 3000 | 77×47×65 |


1 without holder

Exploded view and parts list





| No | Name | No/Letter | Name |
|----|---------------------|-----------|-------------|
| 1 | Suction cups | 8 | Rotor |
| 2 | Magnet | 9 | Casing cap |
| 3 | Magnetic base plate | | |
| 4 | Shaft | a | Aquarium |
| 5 | Casing | b | Support |
| 6 | Rubber bearing | c | Mains cable |
| 7 | Axle | d | Drip loop* |

*  **Important:** When connecting the cable to the socket, provide a **drip loop** that prevents the water running down on the cable from getting into the socket.

Regulations for waste disposal

The Waste Electrical and Electronic Equipment Directive (WEEE Directive, 2012/19/EU) of the EU was implemented in the German law related to electrical and electronic equipment and appliances.

All WilTec electric devices that fall under the WEEE directive are labelled with the symbol of a crossed-out wheeled rubbish bin. This symbol indicates that this electric device must not be disposed of with the domestic waste.

WilTec Technik GmbH is registered with the German registration authority EAR (Stiftung Elektro-Altgeräte Register) under the WEEE-registration number DE45283704.

Disposal of used electrical and electronic devices (intended for use in the countries of the European Union and other European countries with a separate waste collection system for these devices).

The symbol on the packaging or the product itself indicates that this product must not be treated as normal domestic waste but must be disposed of at a recycling collection station for electrical and electronic waste.

By disposing of this product correctly, you contribute to the protection of the environment and the health of your fellow people. Inappropriate disposal threatens the environment and health.



Material recycling helps to reduce the consumption of raw materials.

Additional information about the recycling of this product can be provided by your local commune, the municipal waste disposal facilities, or the store where you purchased the product.

Address:
 WilTec Wildanger Technik GmbH
 Königsbenden 12 / 28
 52249 Eschweiler Germany

Important Note:

Reproduction and any commercial use (of parts) of this operating manual, requires a written permission of WilTec Wildanger Technik GmbH.