

# Operation Manual

## Pond and Fountain Pumps

**CTF-2800, CTF-3800, CTF-4800, CTF-5800,  
CTF-5000, CTF-6000, CTF-7000, CTF-8000,  
CTF-10000, CTF-12000, CTF-14000, CTF-16000,  
CTF-1000B, CTF-1200B, CTF-1400B, CTF-1600B**

50286-50297, 50353-50356



Illustration similar, may vary depending on model

Read and follow the operating instructions and safety information before using for the first time.

Technical changes reserved!

Due to further developments, illustrations, functioning steps, and technical data can differ insignificantly.

Updating the documentation

If you have suggestions for improvement or have found any irregularities, please contact us.



The information contained in this document may alter at any time without previous notice. It is prohibited to copy or spread any parts of this document in any way without prior written allowance. All rights reserved.

The WilTec Wildanger Technik GmbH cannot be held accountable for any possible mistakes in this operating manual, nor in the diagrams and figures shown.

Even though, the WilTec Wildanger Technik GmbH has undergone biggest possible efforts to ensure that the operating manual is complete, faultless, and up to date, mistakes cannot be entirely avoided.

If you should find a mistake or wish to make a suggestion for improvement, we look forward to hearing from you.

Send an e-mail to:

[service@wiltec.info](mailto:service@wiltec.info)

or use our contact form:

<https://www.wiltec.de/contacts/>

The most recent version of this manual in various languages can be found in our online shop via:

<https://www.wiltec.de/docsearch>

Our postal address is:

WilTec Wildanger Technik GmbH  
Königsbenden 12  
52249 Eschweiler  
Germany

To return orders for exchange, repair, or other purposes, please use the following address. Attention! To allow for a smooth execution of your complaint or return, it is important to contact our customer service team before returning the goods.

Returns Department  
WilTec Wildanger Technik GmbH  
Königsbenden 28  
52249 Eschweiler

E-mail: **service@wiltec.info**

Tel: +49 2403 55592-0

Fax: +49 2403 55592-15



## Introduction

Thank you for purchasing this quality product. **To minimise the risk of injury we urge that our clients take some basic safety precautions when using this device. Please read the operation instructions carefully and make sure you have understood its content.**

Keep these operation instructions safe.

## Security notes

### **ATTENTION:**

In stagnant waters, garden ponds and swimming ponds and the surrounding areas the device can only be used with a residual current circuit breaker and a triggering nominal current up to 30 mA (according VDE 0100 part 702 and 738).

The device is not for use in swimming pools, any kind of paddle ponds and the like that are used by humans during the operation of the device. Operating the device during the stay of humans in the danger zone is not permitted. Ask your electrician!

The device must not be used by persons (including children) with reduced physical, sensory, or mental capabilities and/or lack of experience or knowledge, unless they are instructed by a person responsible for their safety or given instruction how to use the device.

### **ATTENTION:**

- Perform a visual inspection before each use of the device. Do not use the device if the safety equipment is damaged or worn. Never override the safety equipment.
- Only use the device for the purpose as specified in this manual.
- You are held responsible for the safety in the work area.
- If the power cord or the plug is damaged by external influences, the cord must not be repaired! The cord must be replaced with a new one. This operation must be carried out only by a qualified electrician.
- The voltage of 230 V AC volts as indicated on the device nameplate must be according to the mains voltage.
- Never lift, transport, or fix the device by using the power cord as a means for this purpose.
- Make sure that the electrical connectors are in a flood-safe area and that they are protected from moisture.
- Pull the power plug before working on the device.
- As for the compliance with local safety and installation regulations the user is held responsible (as the case may be, ask an electrician).
- Consequential damage due to flooding caused by faults of the device is to be prevented by the user who takes the appropriate measures therefor.
- In case of a failure, the device may only be repaired by a qualified electrician.
- The device must never run dry or be operated with the suction tube fully closed.
- The device must not be used for the operation of swimming pools.
- The device must not be installed in the portable water cycle.

### **WARNING:**

Read all safety warnings and instructions. Any failure due to disrespect of the safety instructions may result in electric shock, fire, and/or serious injury.

Keep all warnings and instructions for the future.



## Resistance

During continuous operation, the maximum temperature of the liquid to deliver should not exceed +35 °C. The delivery of aggressive liquids (such as acids, alkalis, silo seepage, etc.) as well as liquids containing abrasive materials (sand etc.) is to be avoided.

## Electrical connection

- The electrical connection is made to a grounded socket 230 V ~ 50 Hz. Protection at least 6 A.
- By an integrated thermal motor protection, the engine is protected from overload and blockage.

## Mains connection

The acquired pond pump is already equipped with a grounded socket. The pump is intended for a connection to a grounded socket with 230 V ~ 50 Hz. Make sure that the socket is adequately secured and in a good condition. Run the pump plug into the socket. The pump is ready for operation.



## Note: Installation

- Check out whether the mains voltage corresponds with the specifications on the nameplate.
- Do not place the pump directly in the pond mud, but on a stone to make sure that no mud is drawn in.
- Check the delivery head (maximum depth). This information can be likewise found the nameplate.
- The pump is installed as follows: either in a fixed position with a fixed tubing or in a fixed position with flexible tubing.
- Route the cord in a protected way to avoid the possibility of damage.
- Connect the pump to the power supply.
- While being connected to the power supply, the pump keeps its operation.

## Commissioning

Having read the afore-mentioned instructions carefully, you may operate the pump under the following conditions:

1. Check out whether the pressure line is attached properly.
2. Make sure that the electrical connection is 230 V~50 Hz.
3. Make sure that the socket is in a proper condition.
4. Make sure that there is never any contact between humidity or water with the mains connection.
5. Install the pump below the water surface.
6. Make sure that the pump never runs dry.
7. Never operate the pump without a filter basket. The filter basket protects the pump from coarse dirt that may lead the pump to get clogged.
8. Never install the pump in the pond mud.



## Overload protection

The pump disposes of an integrated overload protection. After being switched off by the overheating protection, the pump must cool down for a while before re-operation. If it does not start re-operating by itself the following checks are to be performed:

Could the pump cool down sufficiently after the switch-off by the overheating protection

- Is there a sufficient water supply? > Improve water supply!
- Is there any dirt in the pump housing? > Cleaning as below mentioned!
- Hose or tube clogged? > Clean!
- Hose bend or too long? > Check, replace, cut it!

## Technical specifications

Model (Item no.)	Power supply	Power con- sumption (W)	Max. flow rate ( $\frac{l}{h}$ )	Max. delivery head (m)	Connections (mm)	Cable length (m)
CTF-2800 (50286)	230 V alternating current/50 Hz	10	3000	2	25 / 33 / 38 (1" - 1 $\frac{1}{4}$ " - 1 $\frac{1}{2}$ " )	10
CTF-3800 (50287)		20	3600	2.8		
CTF-4800 (50288)		30	4500	4		
CTF-5800 (50289)		40	5200	4.8		
CTF-5000 (50290)		30	5000	3.2		
CTF-6000 (50291)		40	6000	4.2		
CTF-7000 (50292)		50	7000	4.6		
CTF-8000 (50293)		70	8000	5.6		
CTF-10000 (50294)		80	10000	6		
CTF-12000 (50295)		100	12000	6.5		
CTF-14000 (50296)		120	14000	7		
CTF-16000 (50297)		140	16000	7.5		
CTF-1000B (50353)		80	10000	6		
CTF-1200B (50354)		100	12000	6.5		
CTF-1400B (50355)		120	14000	7		
CTF-1600B (50356)		140	16000	7.5		



---

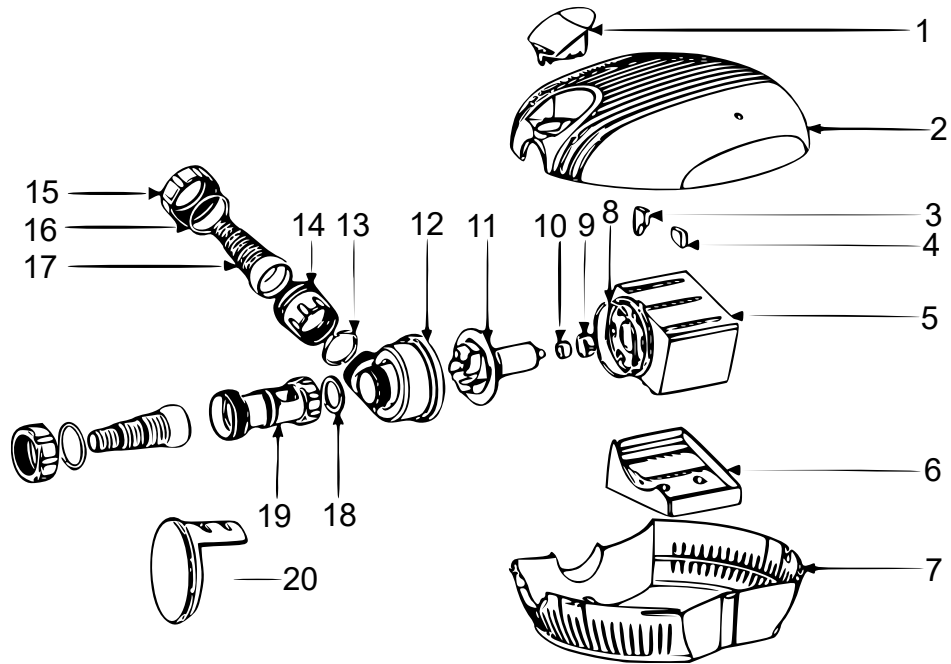
## Maintenance

- The pond motor pump is a proven quality product subjected to strict final instructions.
- However, to ensure a long durability and a continuous operation, we recommend a regular control and care.
- To ensure the proper operation of the pump it is indispensable to clean it regularly. We advise a weekly cleaning. Kindly remove the pump housing and clean the pump with a smooth brush in running water. Remove any residue found on the pump shaft.

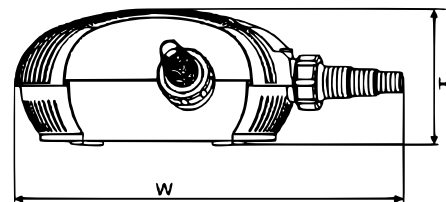
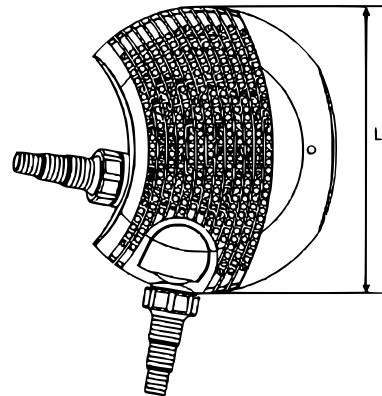
## Winter storage

1. Remove the pump from the water and disconnect it from the power supply.
2. Clean the pump as afore mentioned.
3. Check the pump for damage such as cracks or cuts in the housing.
4. Kindly store the pump under frost-free conditions, if possible, in a container filled with water.

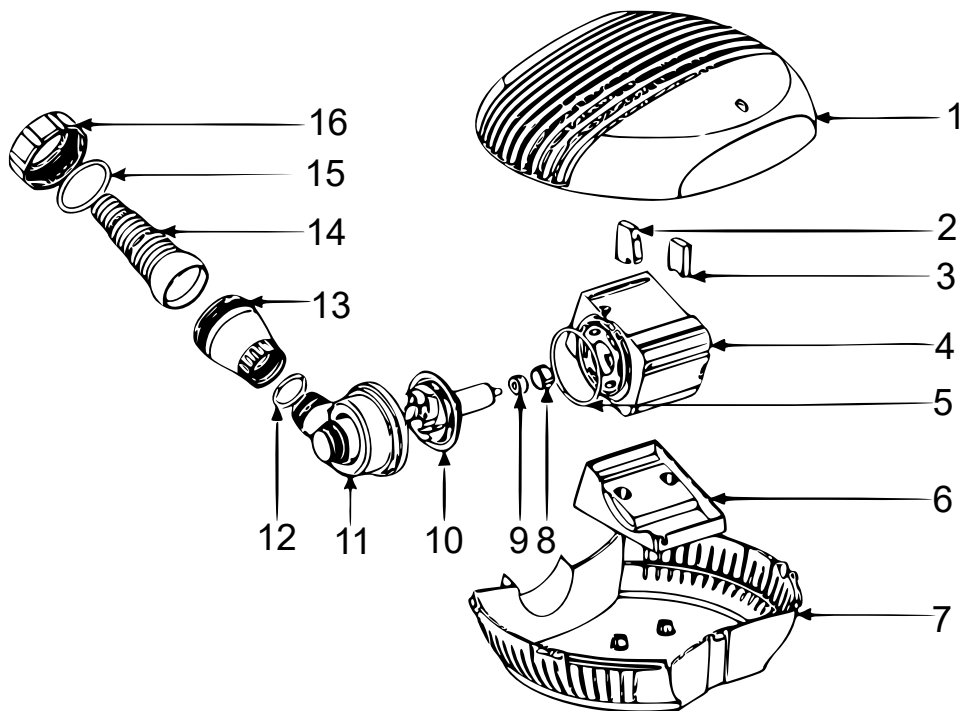
Exploded views and parts lists



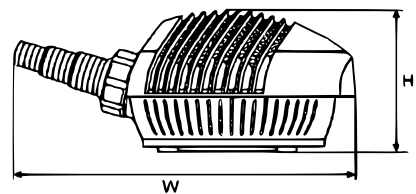
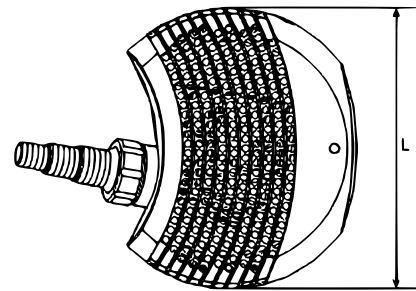
No	Name
1	Blue cover on top
2	Upper pump housing
3	Holder
4	Holder
5	Engine
6	Pump holder
7	Lower pump housing
8	O-ring 1
9	Bearing cover
10	Bearing
11	Rotor
12	Rotor cover
13	O-ring 2
14	Flange
15	Screw
16	O-ring 3
17	Outlet
18	O-ring 4
19	Flange 2
20	Blue cover side



**L353XW400XH170MM**



No	Name
1	Upper pump housing
2	Holder
3	Holder
4	Engine
5	O-ring 1
6	Pump holder
7	Lower pump housing
8	Bearing cover
9	Bearing
10	Rotor
11	Rotor cover
12	O-ring 2
13	Flange
14	Outlet
15	O-ring 3
16	Screw



**L300XW350XH165MM**



## Disposal regulations

EU guidelines regarding the disposal of scrap electric appliances (WEEE, 2012/19/EU) were implemented in the law related to electrical and electronic equipment and appliances.

All WiITec electric devices that fall under the WEEE regulations are labelled with the crossed-out wheeled waste bin logo. This logo indicates that this electric equipment must not be disposed with the domestic waste.

The company WiITec Technik GmbH has been registered in the German registry EAR under the WEEE-registration number DE45283704.

Disposal of used electrical and electronic appliances (intended for use in the countries of the European Union and other European countries with a separate collection system for these appliances).

The logo on the article or on its packaging points out that this article must not be treated as normal household waste but must be disposed to a recycling collection point for electronic and electrical waste equipment. By contributing to the correct disposal of this article you protect the environment and the health of your fellow men. Environment and health are threatened by inappropriate disposal.



Material recycling helps reduce the consumption of raw materials.

Additional information on recycling this article can be provided by your local community, municipal waste disposal facilities, or the store where you purchased the article.

Address:  
 WiITec Wildanger Technik GmbH  
 Königsbenden 12 / 28  
 D-52249 Eschweiler

### Important notice:

The reprint or reproduction, even of excerpts, and any commercial use, even in part, of this instruction manual require the written permission of WiITec Wildanger Technik GmbH.