

# Operation Manual

## Pond and Fountain Pumps

50312, 50313, 50314, 50315, 50316, 50317



Illustration similar, may vary depending on model

Please read and follow the operating instructions and safety information prior to initial operation.

Technical changes reserved!

Illustrations, functional steps, and technical data may deviate insignificantly due to continuous further developments.



The information contained in this document may alter at any time without prior notice. No part of this document may be copied or otherwise duplicated without prior written consent. All rights reserved. WilTec Wildanger Technik GmbH cannot be held liable for any possible mistakes in this operating manual, nor in the diagrams and illustrations shown.

Although WilTec Wildanger Technik GmbH has made every possible effort to ensure that this operating manual is complete, accurate, and up-to-date, errors cannot be ruled out entirely.

If you have found an error or wish to suggest an improvement, we look forward to hearing from you. Send us an e-mail to:

[service@wiltec.info](mailto:service@wiltec.info)

or use our contact form:

<https://www.wiltec.de/contacts/>

The most recent version of this manual in several languages can be found in our online shop:

<https://www.wiltec.de/docsearch>

Our postal address is:

WilTec Wildanger Technik GmbH  
Königsbenden 12  
52249 Eschweiler Germany

To return your goods for exchange, repair, or other purposes, please use the following address. Attention! To allow for a trouble-free complaint or return, it is important to contact our customer service team before returning your goods.

Retourenabteilung  
WilTec Wildanger Technik GmbH  
Königsbenden 28  
52249 Eschweiler Germany

E-mail: **service@wiltec.info**  
Phone: +49 2403 55592-0  
Fax: (+49 2403 55592-15)



## Introduction

Thank you for choosing to purchase this quality product. To minimise the risk of injury, we ask you to always take some basic safety precautions when using this product. Please read this operating manual carefully and make sure that you understand it.

Keep these operation instructions in a safe place.

## Safety instructions

### CAUTION:

In and near standing water, garden ponds, and swimming ponds, the use of this device is only allowed with a fault current protection switch with a triggering nominal current up to 30 mA (according to VDE 0100 Article 702 and 738).

The device is not suitable for use in swimming pools, paddling pools of any kind, or bodies of water in which people or animals may stay during operation. Operation of the device with people being in the danger area is not permitted. Ask an electrician, if necessary.

The device is not intended for use by persons (including children) with impaired or limited physical, sensory, and mental abilities or lack of experience and/or real knowledge, unless they are supervised by a person responsible for their safety or follow the instructions made by this person on how to correctly use the device.

Children should be supervised to ensure that they do not play with the device.

### ATTENTION:

- Perform a visual inspection of the device before every use. Do not use the device if the safety appliances are damaged or worn out. Never override safety regulations.
- Only use the device accordingly to the intended purpose stated in this manual.
- You are responsible for the safety of the working zone.
- If the cable or the plug is damaged due to external influences, the cable must not be repaired. It must be replaced with a new one. This work can only be carried out by an electrician.
- The voltage of 23 V AC indicated on the type plate of the device must match the existent mains voltage.
- Never lift, carry, or fix the device by using the power cable.
- Make sure that the electric plug connections are protected from flood and humidity.
- Before working on the device (maintaining, repairing, cleaning it), pull out the plug.
- Avoid exposing the device to rain or direct jets of water.
- The user is responsible for complying with local safety and mounting regulations. Ask an electrician, if necessary.
- The user must take appropriate measures (e.g., installation of an alarm system, a reserve pump, etc.) to prevent damage caused by the flooding in case of device malfunctioning.
- In case of device failure, repairs can only be carried out by an electrician.
- The device must never run dry or be operated with its suction line fully closed. The manufacturer's warranty is void for damage to the device caused by dry running.
- This device must not be integrated into any kind of domestic water circuit meant for potable water.

### WARNING:

Read all safety precautions and instructions. Failure to obey the safety precautions and instructions might cause an electric shock, a fire, and/or severe injuries. Keep all safety precautions and instructions for future use.



## Resistance

- The maximum temperature of the pumped liquid should not exceed +35 °C in continuous operation.
- The transport of aggressive fluids (acids, bases, etc.) as well as of abrasive substances (for example sand) must be avoided.

## Electrical connection

- The electrical connection is made to an earthed socket 230 V ~ 50 Hz. Fuse min. 6 A.
- The motor is protected from overcharge and blockage with the help of the built-in thermal motor protection. When overheated, the pump motor is automatically switched off by the thermal protection; after cooling down, the pump automatically re-starts.

## Mains connection

The pond pump that you have purchased is already equipped with a protection plug. The pump is meant to be connected to a 220/230 V~50 Hz safety socket. Make sure that the socket is sufficiently protected (min. 6 A) and fully functional. Plug in the plug, the pump is operational.

## Installation

1. Make sure that the existing mains voltage and frequency match the specifications on the nameplate.
2. Do not place the pump directly into the pond mud. Place it on a stone to avoid that mud be sucked in.
3. Check the pump head (maximum depth). The corresponding value is given on the nameplate, too.
4. The pump is installed the following way: either in a stationary position with a fixed pipeline or in a stationary position with a flexible pipeline.
5. Place the cable in a safe manner to exclude any danger of it being damaged.
6. Modify the water fountain shape by changing the position of the adjusting screw of the fountain head.
7. The flow rate can be adjusted with the help of the 3-way valve.
8. Connect the pump to the power supply.
9. The pump works until it is disconnected again.

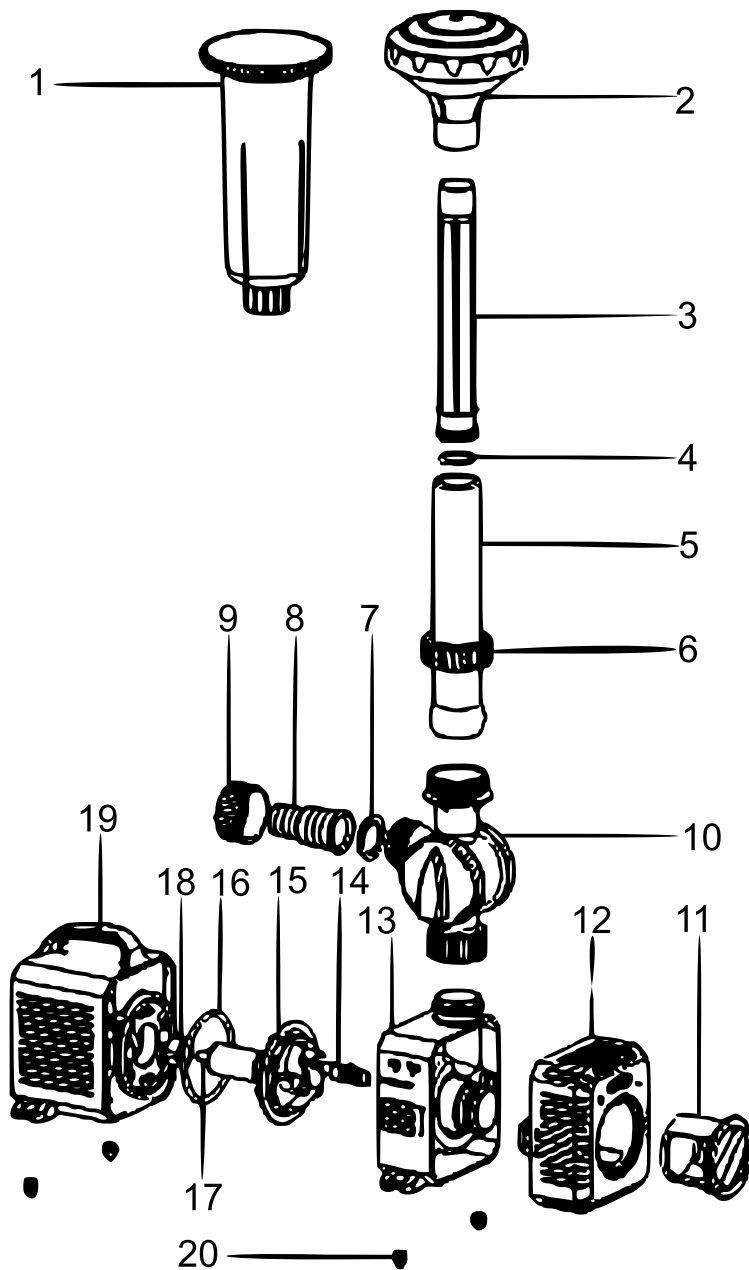
## Initial operation

After thoroughly reading the instructions for installation and use, you can operate the pump; obey the following hints:

- Check if the pressure line is properly attached.
- Check if the electric source has 230 V~50 Hz.
- Check if the socket is in a good condition.
- Make sure that neither humidity nor water may get into contact with the mains connection.
- Place the pump beneath the surface of the water.
- Avoid any running dry of the pump.
- Never operate the pump without a filter basket; a filter basket protects the pump against any coarse dirt that would obstruct the pump.



Main components



No	Name
1	Fountain top piece 1
2	Fountain top piece 2
3	Connection tube
4	O-ring
5	Connection tube (large)
6	Insert nut
7	Gasket
8	Outlet
9	Outlet nut
10	T piece/regulator
11	Flow rate regulator
12	Filter basket/suction basket
13	Pump housing
14	Safety pin
15	Lower rotor unit
16	O-ring
17	Axle
18	Bearing
19	Motor
20	Rubber pad

## Technical specifications

Model (Item number)	Power supply	Power (W)	Max. flow rate (l/h)	Min. flow rate (l/h)	Connections (mm)	Max. lifting height (m)	Size (mm)
CTP-2803 (50312)	230 V / 50 Hz	10	3000	1070	19 (3/4") 25 (1") 33 (1 1/4")	2	172 × 113 × 126
CTP-3803 (50313)		20	3600	1200		2.8	172 × 121 × 632
CTP-5003 (50314)		30	5000	1680		3.3	188 × 131 × 149
CTP-6003 (50315)		40	6000	1950		4.2	188 × 131 × 149
CTP-7003 (50316)		50	7000	2230		4.6	188 × 131 × 149
CTP-8003 (50317)		70	8000	2270		5.6	188 × 131 × 149

## Maintaining and cleaning



**!** Perform cleaning of the pump and filter basket on a weekly basis and when the performance of the pump diminishes.



1. Disconnect the pump from the electricity supply before carrying out any maintenance work.
2. Unscrew the top piece (Fig. 1).
3. Turn the filter basket by 90° (Fig. 2) to remove it.
4. Slide the blue lock to "Open" to unlock the motor housing.
5. Turn the motor housing by 90° (Fig. 4) to remove it.
6. Remove the rotor to clean it (Fig. 5).
7. To clean the individual parts, use a soft brush or a sponge and clean them under running water.
8. Check the correct seat of the O-ring before re-assembling the pump.

### Winter storage

1. Take the pump out of the water and disconnect it from the power supply.
2. Clean the pump as described in the instructions.
3. Check the pump for damage such as cracks in the housing.
4. Store the pump under frost-free condition and, if possible, in a container with water.



**ATTENTION:** The plug must not get into the water.

## Regulations for waste disposal

The Waste Electrical and Electronic Equipment Directive (WEEE Directive, 2012/19/EU) of the EU was implemented in the German law related to electrical and electronic equipment and appliances.

All WilTec electric devices that fall under the WEEE directive are labelled with the symbol of a crossed-out wheeled rubbish bin. This symbol indicates that this electric device must not be disposed of with the domestic waste.

WilTec Technik GmbH is registered with the German registration authority EAR (Stiftung Elektro-Altgeräte Register) under the WEEE-registration number DE45283704.

Disposal of used electrical and electronic devices (intended for use in the countries of the European Union and other European countries with a separate waste collection system for these devices).

The symbol on the packaging or the product itself indicates that this product must not be treated as normal domestic waste but must be disposed of at a recycling collection station for electrical and electronic waste.

By disposing of this product correctly, you contribute to the protection of the environment and the health of your fellow people. Inappropriate disposal threatens the environment and health.



Material recycling helps to reduce the consumption of raw materials.

Additional information about the recycling of this product can be provided by your local commune, the municipal waste disposal facilities, or the store where you purchased the product.

Address:  
 WilTec Wildanger Technik GmbH  
 Königsbenden 12 / 28  
 52249 Eschweiler Germany

### Important Note:

Reproduction and any commercial use (of parts) of this operating manual, requires a written permission of WilTec Wildanger Technik GmbH.