

Operation Manual

Pond and Fountain Pump

50328–50336



Illustration similar, may vary depending on model

Read and follow the operating instructions and safety information before using for the first time.

Technical changes reserved!

Due to further developments, illustrations, functioning steps, and technical data can differ insignificantly.

Updating the documentation

If you have suggestions for improvement or have found any irregularities, please contact us.



The information contained in this document may alter at any time without previous notice. It is prohibited to copy or spread any parts of this document in any way without prior written allowance. All rights reserved.

The WilTec Wildanger Technik GmbH cannot be held accountable for any possible mistakes in this operating manual, nor in the diagrams and figures shown.

Even though, the WilTec Wildanger Technik GmbH has undergone biggest possible efforts to ensure that the operating manual is complete, faultless, and up to date, mistakes cannot be entirely avoided.

If you should find a mistake or wish to make a suggestion for improvement, we look forward to hearing from you.

Send an e-mail to:

service@wiltec.info

or use our contact form:

<https://www.wiltec.de/contacts/>

The most recent version of this manual in various languages can be found in our online shop via:

<https://www.wiltec.de/docsearch>

Our postal address is:

WilTec Wildanger Technik GmbH
Königsbenden 12
52249 Eschweiler
Germany

To return orders for exchange, repair, or other purposes, please use the following address. Attention! To allow for a smooth execution of your complaint or return, it is important to contact our customer service team before returning the goods.

Returns Department
WilTec Wildanger Technik GmbH
Königsbenden 28
52249 Eschweiler

E-mail: **service@wiltec.info**

Tel: +49 2403 55592-0

Fax: +49 2403 55592-15



Introduction

Thank you for purchasing this quality product. **To minimise the risk of injury we urge that our clients take some basic safety precautions when using this device. Please read the operation instructions carefully and make sure you have understood its content.**

Keep these operation instructions safe.

Safety guidelines



BEWARE!

The use of this device is allowed on standing water bodies, garden ponds water or swimming ponds and their surrounding areas only with fault current protection-switch with a triggering nominal current up to 30 mA (according to VDE 0100 Article 702 and 738).

The device is not suitable for use in swimming pools, paddling pools and other water bodies in which during operation there can be persons. The operation of the device during the stay of people in the danger zone is not allowed. Ask your electrician.

The device is not intended for use by persons (including children) with impaired or limited physical, sensory, and mental abilities or lack of experience and/or real knowledge, unless they are supervised by a person responsible for their safety or have received instruction on the correct use of the device.

Children should be supervised to make sure that they do not play with the device.



ATTENTION!

- Visually inspect the device before every use. Do not use the device if the safety appliances are damaged or worn out. Never override safety regulations.
- Use the device exclusively according to the intended purpose stated in the instructions for use.
- You are responsible for the safety of the working environment.
- If the cable or the plug is damaged due to external influences the cable must not be repaired! It must be replaced with a new one. This work can be carried out only by an electrician.
- The voltage indicated on the type plate of the device of 230 V AC must correspond to the existent mains voltage.
- Never lift, carry, or suspend the device by using the power cable.
- Make sure that the electrical plug connection is placed in a flood-proof area and is protected from moisture.
- Before working on the pond pump disconnect the appliance by pulling the plug out of the socket.
- Avoid exposing the appliance to a direct water jet or rain.
- The user is responsible for the compliance with location specific safety and installing regulations. Ask an electrician.
- Consequential damage arising from flooded rooms caused by dysfunctions of the appliance must be avoided by means of the appropriate measures. {installing an alarm system, reserve pump).
- In case of malfunction the repair work can be carried out only by a qualified electrician.
- The appliance must not run dry or with a completely closed intake port.
- The appliance must not be used for swimming pools.
- The device cannot be employed for potable water circuits.



WARNING:

Read carefully all the safety guidelines and the instructions. Non-compliance with the safety rules and regulations can lead to an electric shock, fire, and/or serious injury.

Keep the instructions and the safety guidelines in a safe place in case you need them in the future.



Stability

- The temperature of the liquid transported should not exceed +35 °C in permanent operation.
- The transport of aggressive fluids (acids, bases, etc.) as well as of abrasive substances (e.g., sand) must be avoided.

Electrical connection

- The electrical connection takes place via an electric safety socket 230 V ~ 50 Hz. Fuse protection at least 10 A.
- The engine is protected from overloading or blocking by means of a built-in motor protection. In case of overheating the pump is turned off automatically due to the overheat protection and after cooling down, the pump is automatically started.

Power connection

The pond pump is equipped with a safety plug. The device is designed for connection to an isolated ground receptacle with 230 V ~ 50 Hz. Make sure that the socket outlet is sufficiently fused (at least 6 A) and safe. Insert the plug in the socket outlet and the pond pump is ready for use.

Installation



REMARK:

1. Check if the mains voltage corresponds to the indications stated on the nameplate of the device.
2. Do not place the pump on the pond floor directly. Place it on a stone lest it do not suck in the pond mud.
3. Comply with the maximum permitted immersion depth (this information is to be found as well on the model plate).
4. The pump must be installed as follows: in a fixed position with fixed or flexible hose.
5. Place the cable in a safe manner lest it not be damaged.
6. You can modify the shape of the fountain jet by modifying the adapting screw of the fountain head. The flow rate can be regulated via the three-way valve.
7. Connect the pump to the electrical circuit. The pump will start working.
8. The pump shall work until disconnected from the electrical circuit.

Operation

After carefully reading the installation instructions, you can start the new pump if you note the following aspects:

- Connect the suction cups with the motor body and filter basket.
- The pump must not be used without a filter basket. The filter basket prevents constipation and resultant overheating and needs to be cleaned regularly.
- Check if the pressure pipes have been installed properly.
- Make sure that the electrical connection is 230 V ~ 50 Hz.
- Check if the socket is in proper working order.
- Make sure that moisture or water never reaches the mains connection.
- Install the pump beneath the water surface.
- Avoid that the pump runs dry.

Hints for maintenance

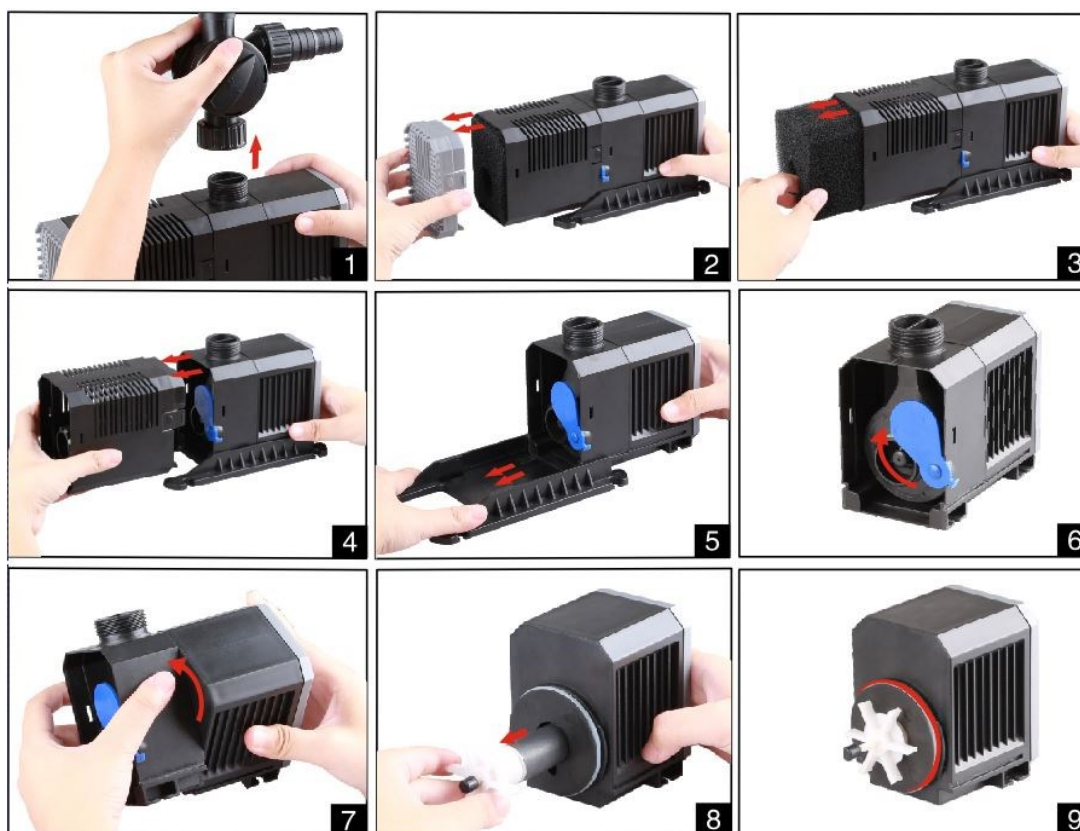
The pond motor pump is a maintenance-free and a practice-proven quality product that was subjected to rigorous final inspections. For a long working life and continuous operation, we recommend regular checking and proper care on a weekly basis.

Overload protection

The pump has an integrated overheat protection. After the pump is stopped it must cool down for a while due to the overheat control device, before it runs again. In case it does not run again by itself, the following checks shall be conducted:

Could the pump cool down sufficiently due after having been stopped by the overheat protection?	>	Improve the water supply!
Is the water supply sufficient?	>	If necessary, rinse the filter!
Is the filter blocked?	>	Perform cleaning!
Is there dirt in the pump housing?	>	Clear the hose/pipe!
Is the hose or the pipe blocked?	>	Check, replace, shorten!
Is the hose broken, too long?	>	

Cleaning and maintenance



Clean the pump and the filter basket weekly, and also when the flow is lower than usually.

1. Disconnect the pump from the electrical circuit.
2. Unscrew the press (Pic. 1), press the buckle to take the basket out (Pic. 2) and also pull out the sponge (Pic. 3).
3. Press the buckle to take off the big filter basket and the bottom (Pic. 4 and 5).



4. Clean the baskets, the pump and the sponge with a soft brush under floating water.
5. Turn the pump body according to Pic. 7, then take it out
6. Clean the impeller and make sure that the O-Ring is in a right position (Pic. 8 and 9).

Storage during winter

1. Take the pump out of the water and disconnect it
2. Clean the pump as described above.
3. Make sure that there is no damaged part, like a cracked housing.
4. Store the Pump under frost-free conditions in a bucket or container of water (if possible).

 **CAUTION:** Never immerse the connection plug!

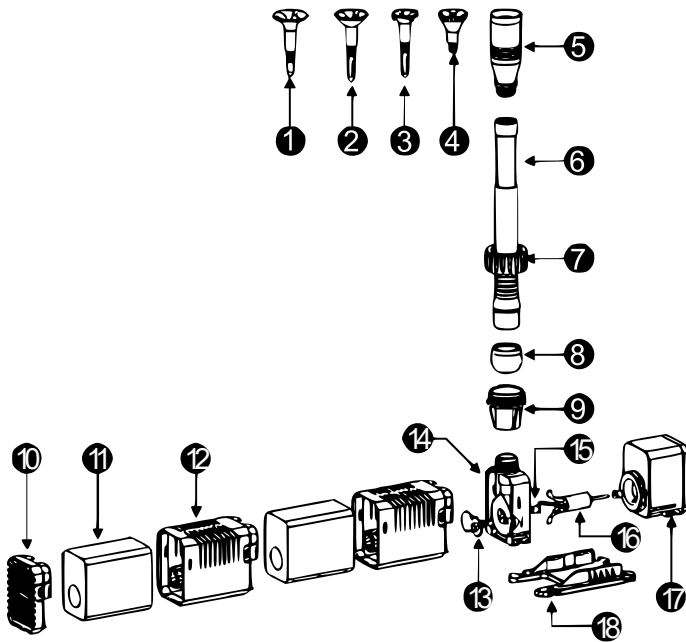
Technical data

Modell (Item number)	Energy	Power (W)	Max. flow rate ($\frac{l}{h}$)	Max. lifting height (m)	Connec- tions (mm)	Weight (kg)
CHJ-603 (50328)	230 V / 50 Hz	8	600	1.3	13 / 16	0.55
CHJ-903 (50329)		16	900	1.5	10 / 13 / 19	0.7
CHJ-1503 (50330)		25	1500	1.8	10 / 13 / 19	1.7
CHJ-2003 (50331)		35	2000	2.0	13 / 16 / 19	1.85
CHJ-2503 (50332)		45	2500	2.7	13 / 16 / 2× 21 / 25.4	1.85
CHJ-3003 (50333)		55	3000	3.0	10 / 13 / 19	2.5
CHJ-4503 (50334)		65	4500	3.5	19 / 25 / 33	3.0
CHJ-5003 (50335)		80	5000	3.8	19 / 25 / 33	3.0
CHJ-6003 (50336)		100	6000	4.0	19 / 25 / 33	3.0

Exploded views and parts lists (see next pages)

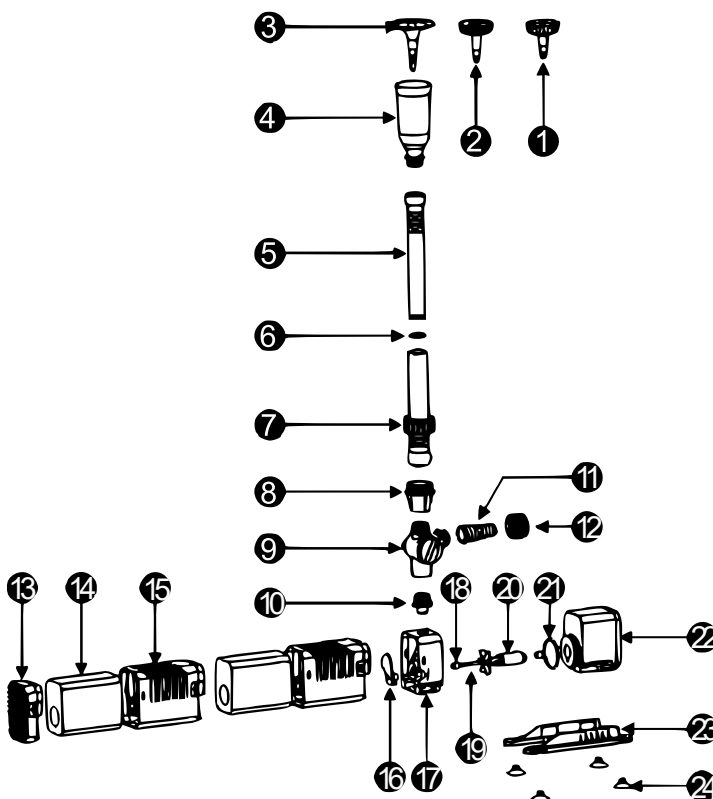
Please note that there are different models of the fountain pump; consequently, the parts delivered (fountain extensions) may vary depending on the model chosen. Refer to the description of the individual product for detailed information.

CHJ-603



No	Name
1	Fountain top piece 1
2	Fountain top piece 2
3	Fountain top piece 3
4	Fountain top piece 4
5	Fountain top piece 5
6	Telescopic tube
7	Union nut
8	Press nut
9	Connector
10	Suction basket cap
11	Filter sponge
12	Suction basket
13	Regulator
14	Pump housing
15	Bearing
16	Pump shaft
17	Motor housing
18	Pump base

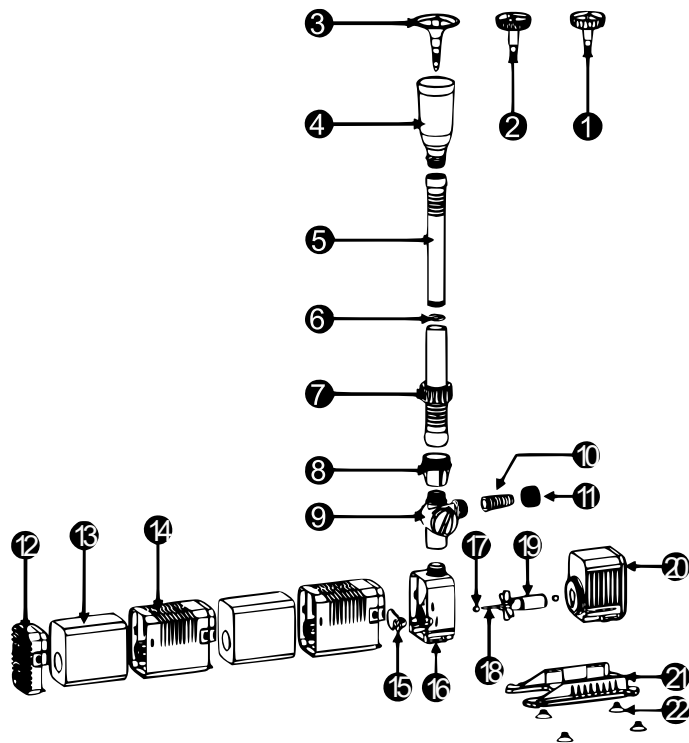
CHJ-903



No	Name
1	Fountain top piece 1
2	Fountain top piece 2
3	Fountain top piece 3
4	Fountain top piece 4
5	Telescopic tube
6	O-Ring
7	Union nut
8	Connector 1
9	T-Regulator
10	Connector 2
11	Hose nozzle
12	Union nut of hose nozzle
13	Suction basket cap
14	Filter sponge
15	Suction basket
16	Regulator
17	Pump housing
18	Bearing
19	Axle
20	Pump shaft
21	O-Ring
22	Motor housing
23	Pump base
24	Suction cups

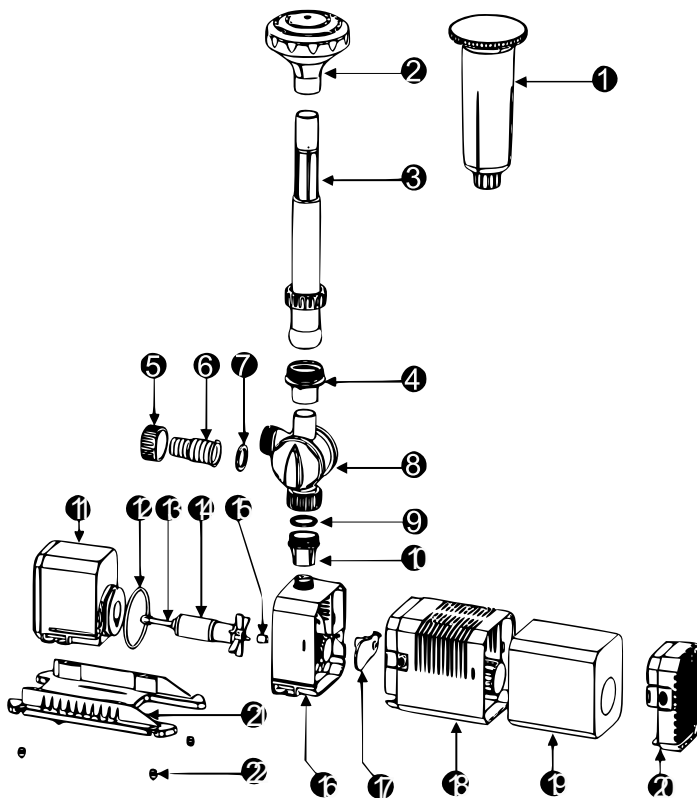


CHJ-1503



No	Name
1	Fountain top piece 1
2	Fountain top piece 2
3	Fountain top piece 3
4	Fountain top piece 4
5	Telescopic tube
6	Gasket
7	Union nut
8	Connector
9	T-Regulator
10	Hose nozzle
11	Union nut of hose nozzle
12	Suction basket cap
13	Filter sponge
14	Suction basket
15	Regulator
16	Pump housing
17	Bearing
18	Axle
19	Pump shaft
20	Motor housing
21	Pump base
22	Suction cups

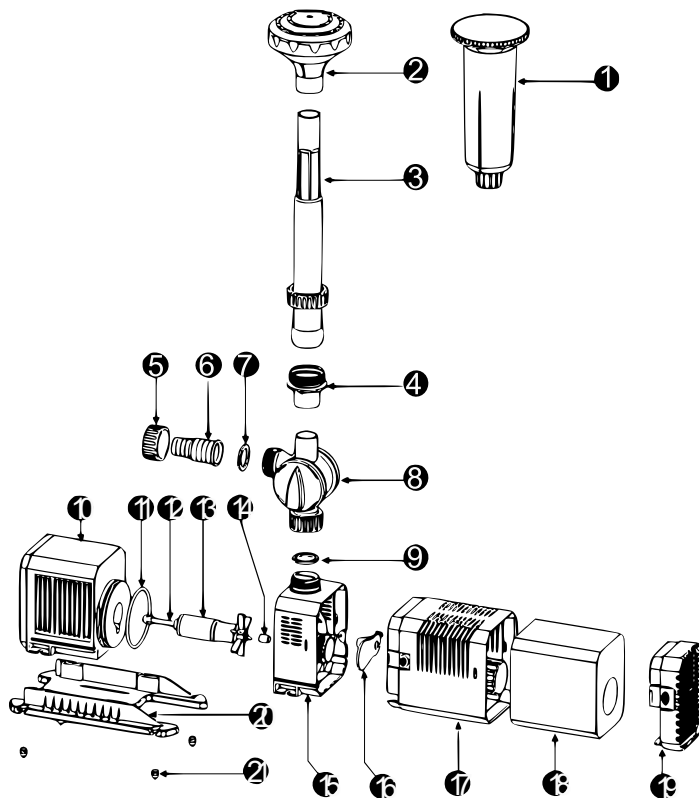
CHJ-2003-2503



No	Name
1	Fountain top piece 1
2	Fountain top piece 2
3	Telescopic tube
4	Connector
5	Union nut of hose nozzle
6	Hose nozzle
7	Gasket
8	T-Regulator
9	Gasket
10	Press nut
11	Motor housing
12	O-Ring
13	Axle
14	Pump shaft
15	Bearing
16	Pump housing
17	Regulator
18	Suction basket
19	Filter sponge
20	Suction basket cap
21	Pump base
22	Suction cups

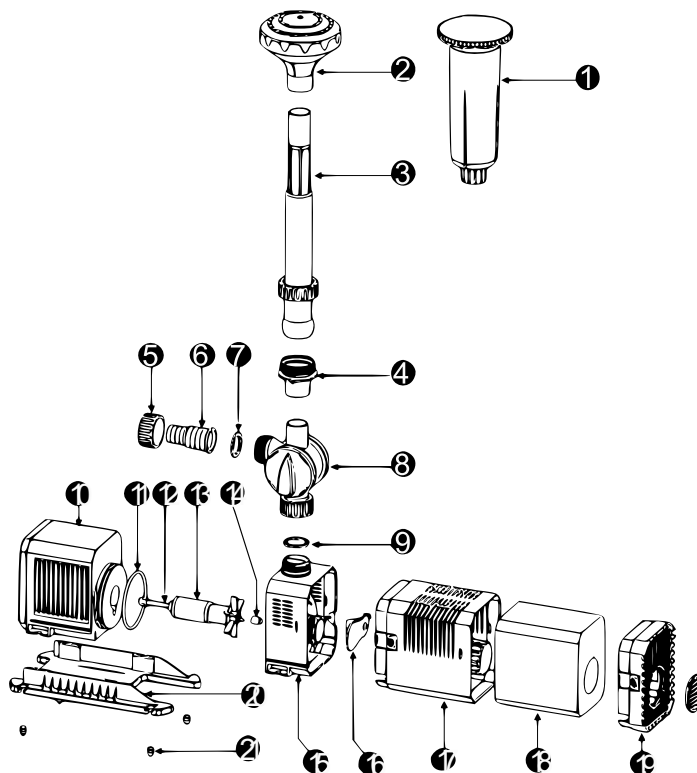


CHJ-3003



No	Name
1	Fountain top piece 1
2	Fountain top piece 2
3	Telescopic tube
4	Connector
5	Union nut of hose nozzle
6	Hose nozzle
7	Gasket
8	T-Regulator
9	Gasket
10	Motor housing
11	O-Ring
12	Axle
13	Pump shaft
14	Bearing
15	Pump housing
16	Regulator
17	Suction basket
18	Filter sponge
19	Suction basket cap
20	Pump base
21	Suction cups

CHJ-4003-5003-6003-6803



No	Name
1	Fountain top piece 1
2	Fountain top piece 2
3	Telescopic tube
4	Connector
5	Union nut of hose nozzle
6	Hose nozzle
7	Gasket
8	T-Regulator
9	Gasket
10	Motor housing
11	O-Ring
12	Axle
13	Pump shaft
14	Bearing
15	Pump housing
16	Regulator
17	Suction basket
18	Filter sponge
19	Suction basket cap
20	Pump base
21	Suction cups

Disposal regulations

EU guidelines regarding the disposal of scrap electric appliances (WEEE, 2012/19/EU) were implemented in the law related to electrical and electronic equipment and appliances.

All WiITec electric devices that fall under the WEEE regulations are labelled with the crossed-out wheeled waste bin logo. This logo indicates that this electric equipment must not be disposed with the domestic waste.

The company WiITec Technik GmbH has been registered in the German registry EAR under the WEEE-registration number DE45283704.

Disposal of used electrical and electronic appliances (intended for use in the countries of the European Union and other European countries with a separate collection system for these appliances).

The logo on the article or on its packaging points out that this article must not be treated as normal household waste but must be disposed to a recycling collection point for electronic and electrical waste equipment. By contributing to the correct disposal of this article you protect the environment and the health of your fellow men. Environment and health are threatened by inappropriate disposal.



Material recycling helps reduce the consumption of raw materials.

Additional information on recycling this article can be provided by your local community, municipal waste disposal facilities, or the store where you purchased the article.

Address:
 WiITec Wildanger Technik GmbH
 Königsbenden 12 / 28
 D-52249 Eschweiler

Important notice:

The reprint or reproduction, even of excerpts, and any commercial use, even in part, of this instruction manual require the written permission of WiITec Wildanger Technik GmbH.