

Operation Manual

Internal Aquarium Filter CUP-609

50341



Illustration similar, may vary depending on model

Read and follow the operating instructions and safety information before using for the first time.

Technical changes reserved!

Due to further developments, illustrations, functioning steps, and technical data can differ insignificantly.

Updating the documentation

If you have suggestions for improvement or have found any irregularities, please contact us.



The information contained in this document may alter at any time without previous notice. It is prohibited to copy or spread any parts of this document in any way without prior written allowance. All rights reserved.

The WilTec Wildanger Technik GmbH cannot be held accountable for any possible mistakes in this operating manual, nor in the diagrams and figures shown.

Even though, the WilTec Wildanger Technik GmbH has undergone biggest possible efforts to ensure that the operating manual is complete, faultless, and up to date, mistakes cannot be entirely avoided.

If you should find a mistake or wish to make a suggestion for improvement, we look forward to hearing from you.

Send an e-mail to:

service@wiltec.info

or use our contact form:

<https://www.wiltec.de/contacts/>

The most recent version of this manual in various languages can be found in our online shop via:

<https://www.wiltec.de/docsearch>

Our postal address is:

WilTec Wildanger Technik GmbH
Königsbenden 12
52249 Eschweiler
Germany

To return orders for exchange, repair, or other purposes, please use the following address. Attention! To allow for a smooth execution of your complaint or return, it is important to contact our customer service team before returning the goods.

Returns Department
WilTec Wildanger Technik GmbH
Königsbenden 28
52249 Eschweiler

E-mail: **service@wiltec.info**

Tel: +49 2403 55592-0

Fax: +49 2403 55592-15



Introduction

Thank you for purchasing this quality product. **To minimise the risk of injury we urge that our clients take some basic safety precautions when using this device. Please read the operation instructions carefully and make sure you have understood its content.**

Keep these operation instructions safe.

Safety regulations

CAUTION:

- On standing water, garden and swimming ponds and in their surroundings, the use of the device is only permitted with a residual current circuit breaker with a tripping rated current of up to 30 mA (according to VDE 0100 parts 702 and 738).
- This device is not intended to be used by persons (including children) with limited physical, sensory, or mental capabilities or lack of experience and/or knowledge, unless they are supervised by a person responsible for their safety and have received instructions on how to use the device.
- Children should be supervised to ensure that they do not play with the device.

ATTENTION:

- Perform a visual inspection of the device before each use. Do not use the device if safety devices are damaged or worn. Never override safety devices.
- Only use the device in accordance with the intended use specified in these operating instructions.
- You are responsible for the safety in the work area.
- If the cable or the plug is damaged due to external influences, the cable must not be repaired, but must be exchanged for a new one. This work may only be carried out by a qualified electrician.
- The voltage of 230 V AC indicated on the nameplate of the device must correspond to the existing mains voltage.
- Never lift, transport, or fasten the device by the power cord.
- Make sure that the electrical plug connections are protected from flooding and moisture.
- Pull the power plug before working on the device.
- Avoid exposing the device to direct water jets.
- The operator is responsible for compliance with local safety and installation regulations. If necessary, ask an electrician.
- The user must take appropriate measures to prevent consequential damage caused by flooding of rooms in the event of malfunctions on the device (e.g., by installing an alarm system, a reserve pump, etc.).
- If the device fails, repairs may only be carried out by a qualified electrician.
- The device must never run dry or be operated with the suction line fully closed.
- The device must not be used to operate swimming pools.
- The device must not be installed in the drinking water circuit.
- Set up the device so that it is not exposed to direct sunlight.
- The device must be fastened horizontally using screws on a suitable mounting point.
- If necessary, the universal hose adaptor must be shortened according to the hose diameter.
- Attach hoses and hose clamps.
- Although ultraviolet radiation is the ionizing radiation that emits the lowest energy, it can be dangerous for humans and other organisms. UV radiation with a longer wavelength can also destroy chemical bonds in organic molecules. It is therefore advisable to use technical UV sources responsibly.
- Only operate the tube in the closed, unbroken housing.



⚠ WARNING:

Read all safety warnings and instructions. Failure to follow the safety instructions and instructions can result in electric shock, fire, and/or serious injury. Keep all safety notices and instructions for future use.

Resistance

- The maximum temperature of the liquid should not exceed +35 °C in continuous operation.
- No flammable, gas-forming or explosive liquids may be conveyed with this pump. This pump must not be used for other liquids, especially not for engine fuels, cleaning agents, and other chemical products!

Electrical connection

- The electrical connection is made to an earthed socket 230 V ~ 50 Hz. Fusing at least 10 A.
- The device is switched on and off with the built-in ON/OFF switch (depending on the model).

⚠ CAUTION:

The devices of the CUP series are UV clarifiers with an integrated pump. They consist of a pump and a UV lamp. The device must not be used if it is damaged or open, as the UV rays can damage the eyes and the skin.

- This device should be placed under water. Make sure that the device is completely immersed in the water. The immersion depth should not exceed 2 m.
- Do not switch on the device before it is in the water. Damage can occur if the device is operated without water.
- Please ensure that the device is on a solid surface and cannot fall over. Violent vibrations can damage the quartz glass tube contained therein.
- Only use the device if there is no evidence of damage to the cable or to the device itself.
- The device must not be operated when there are people or animals in the water.
- The maximum pressure that can be exerted on the device is 2 bar.

Areas of application/mode of operation

This UVC device ensures healthy fish and clear water. You can use it in ponds as well as in aquariums. The water is pumped through the UVC device with a pump. There it flows past a UV lamp and is exposed to UVC radiation, which kills the bacteria, pathogens and floating algae in the water. This will clarify the water.

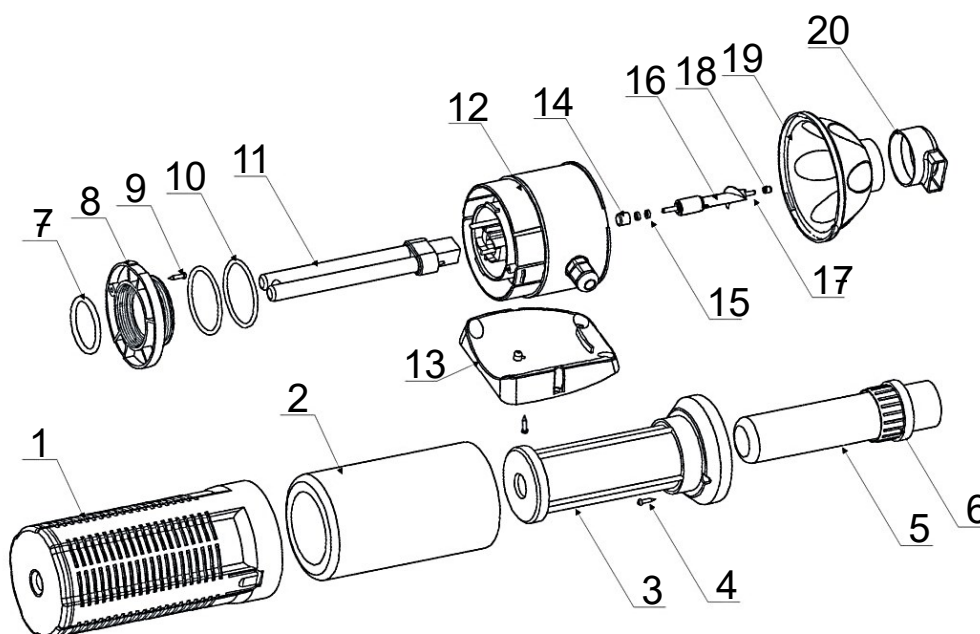
Commissioning

Switch on the pump and wait until the device is filled with water. Check all connections for leaks. The device is put into operation by inserting the mains plug.

Technical data

Current supply	Power consumption (W)	UVC power (W)	Motor type	Cable length (m)	Max. flow rate (1/h)	Size (mm)
230 V / 50 Hz	18	9	Synchronous	10	2000	317 × 100 × 105

Explosion view and parts list



No	Name	No	Name
1	Filter basket	11	UV lamp
2	Sponge	12	Main unit
3	Protective cover	13	Floater
4	Screw	14	Bearing
5	Quartz glass	15	Ceramic sealing
6	Fixing	16	Magnet
7	Sealing (O-ring)	17	Ceramic axle
8	Connexion	18	Bearing
9	Screw	19	Rotor cover
10	Sealing (O-ring)	20	Water outlet

Maintenance/cleaning

Before any maintenance or cleaning, unplug the device from the mains. The device should be cleaned once a year. The UVC lamp should be replaced once in a year, as its expectable performance will have fallen to around 50 % after a year.

1. Pull out the power plug.
2. Switch off the pump and make sure that it cannot be switched on again accidentally.
3. Carefully loosen the screw connection at the end of the mains plug input of the UVC device (the large housing screw, not the screw on the cable). Remove the large screw on the top of the lamp and pull out the fixture knob, then you can replace the lamp.
4. Detach the main unit from the filter basket.
5. You can then start cleaning.
6. We recommend cleaning the quartz glass with a damp cloth. Please only use water for cleaning, never sharp objects (screwdrivers, knives, etc.).



7. Check the shell for damage before reinstalling it.
8. Return all parts to their original position. The last thing to do is to put the O-ring into the correct position through the clamping plate screw.
9. When you reassemble the quartz glass, make sure there is no water in it. Hold the glass with a dry cloth.
10. When installing the new hose, remove the clip; this can protect the clip from breaking. If the O-ring is broken, it must be replaced.
11. Make sure that all sealing parts are cleaned and in place, especially the O-ring.
12. Finally, switch on the power supply to the pump and switch on the device.

Storage in winter

1. Clean the pump as described above.
2. Store the pump out of the water and in a place protected from frost.
3. Check the pump for damage before starting it up again.



WARNING:

- The UVC unit must be disconnected from the power supply for all maintenance work.
- Commissioning only when the UVC unit is **COMPLETELY** assembled.
- Do not carry out any work on a running UVC unit.
- The UVC unit must **NOT** be carried by its cable.
- If there is frost, demount the UVC unit!

Disposal regulations

EU guidelines regarding the disposal of scrap electric appliances (WEEE, 2012/19/EU) were implemented in the law related to electrical and electronic equipment and appliances.

All WiITec electric devices that fall under the WEEE regulations are labelled with the crossed-out wheeled waste bin logo. This logo indicates that this electric equipment must not be disposed with the domestic waste.

The company WiITec Technik GmbH has been registered in the German registry EAR under the WEEE-registration number DE45283704.

Disposal of used electrical and electronic appliances (intended for use in the countries of the European Union and other European countries with a separate collection system for these appliances).

The logo on the article or on its packaging points out that this article must not be treated as normal household waste but must be disposed to a recycling collection point for electronic and electrical waste equipment. By contributing to the correct disposal of this article you protect the environment and the health of your fellow men. Environment and health are threatened by inappropriate disposal.



Material recycling helps reduce the consumption of raw materials.

Additional information on recycling this article can be provided by your local community, municipal waste disposal facilities, or the store where you purchased the article.

Address:
 WiITec Wildanger Technik GmbH
 Königsbenden 12 / 28
 D-52249 Eschweiler

Important notice:

The reprint or reproduction, even of excerpts, and any commercial use, even in part, of this instruction manual require the written permission of WiITec Wildanger Technik GmbH.