

Operation Manual

External Aquarium Filter HW-603B

50357



Illustration similar, may vary depending on model

Read and follow the operating instructions and safety information before using for the first time.

Technical changes reserved!

Due to further developments, illustrations, functioning steps, and technical data can differ insignificantly.

Updating the documentation

If you have suggestions for improvement or have found any irregularities, please contact us.



The information contained in this document may alter at any time without previous notice. It is prohibited to copy or spread any parts of this document in any way without prior written allowance. All rights reserved.

The WilTec Wildanger Technik GmbH cannot be held accountable for any possible mistakes in this operating manual, nor in the diagrams and figures shown.

Even though, the WilTec Wildanger Technik GmbH has undergone biggest possible efforts to ensure that the operating manual is complete, faultless, and up to date, mistakes cannot be entirely avoided.

If you should find a mistake or wish to make a suggestion for improvement, we look forward to hearing from you.

Send an e-mail to:

service@wiltec.info

or use our contact form:

<https://www.wiltec.de/contacts/>

The most recent version of this manual in various languages can be found in our online shop via:

<https://www.wiltec.de/docsearch>

Our postal address is:

WilTec Wildanger Technik GmbH
Königsbenden 12
52249 Eschweiler
Germany

To return orders for exchange, repair, or other purposes, please use the following address. Attention! To allow for a smooth execution of your complaint or return, it is important to contact our customer service team before returning the goods.

Returns Department
WilTec Wildanger Technik GmbH
Königsbenden 28
52249 Eschweiler

E-mail: **service@wiltec.info**

Tel: +49 2403 55592-0

Fax: +49 2403 55592-15



Introduction

Thank you for purchasing this quality product. **To minimise the risk of injury we urge that our clients take some basic safety precautions when using this device. Please read the operation instructions carefully and make sure you have understood its content.**

Keep these operation instructions safe.

Safety regulations

CAUTION:

- This device is not intended to be used by persons (including children) with limited physical, sensory, or mental capabilities or lack of experience and/or knowledge, unless they are supervised by a person responsible for their safety and have received instructions on how to use the device.
- Children should be supervised to ensure that they do not play with the device.

CAUTION:

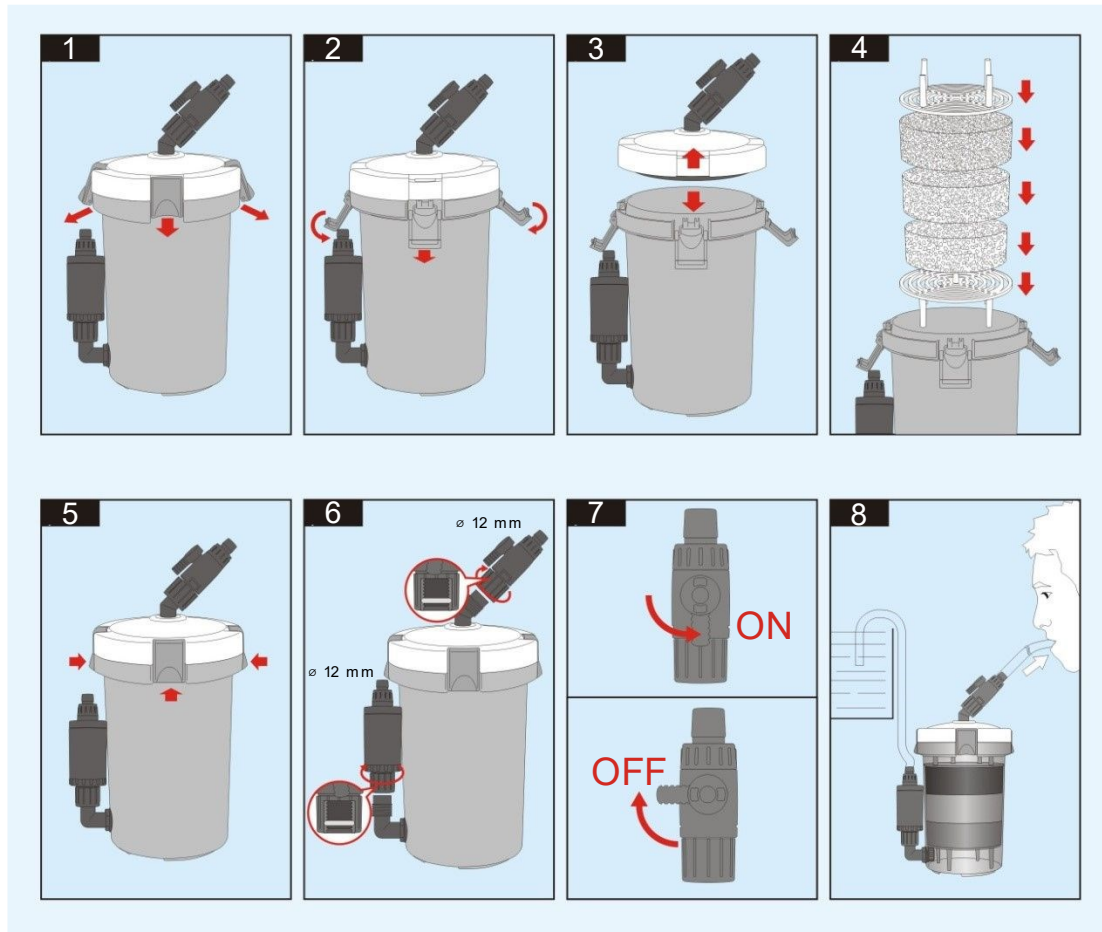
- The device is only suitable for use in aquaria and should only be used indoors.
- To avoid possible electric shock, special care should be taken since water is employed in the use of this appliance. Do not attempt to repair it by yourself. Only ask a qualified person to perform maintenance and repair.
- Make sure that your mains voltage corresponds to the voltage stated on the nameplate of the device.
- Whenever the device is submerged into the water, **DO NOT** reach for it! First switch the power supply off, then touch it.
- Carefully examine the device after installation. It should not be plugged in if its electrical components are wet.
- Do not operate any device with a damaged cord or plug, or in abnormal state. The supply cord of the appliance cannot be replaced. If the cord is damaged the appliance should be properly scrapped.
- Make sure that the electrical cord forms a “drip loop” below the electrical outlet. The use of a drip loop will help you prevent any water leaks or splashes from running down the electrical cord into your outlet.
- When the device is not in use, when parts are taken out or mounted, and when performing cleaning, pull out the plug.
- Do not install or store the device where it is exposed to moisture or to temperatures below freezing.
- Make sure that the device is securely installed before operating it.
- Read and observe all the instructions supplied with or on the device.
- The pump must not run dry.
- Never use accessories not recommended by the manufacturer. Otherwise, fire, electric shock, and/or personal injury might result.
- Only use the device for domestic purposes and in the way indicated in these instructions, and place it in a dry environment.
- Only use a damp cloth for cleaning. Avoid using cleaning agent and make sure that no liquid can penetrate the device.

WARNING:

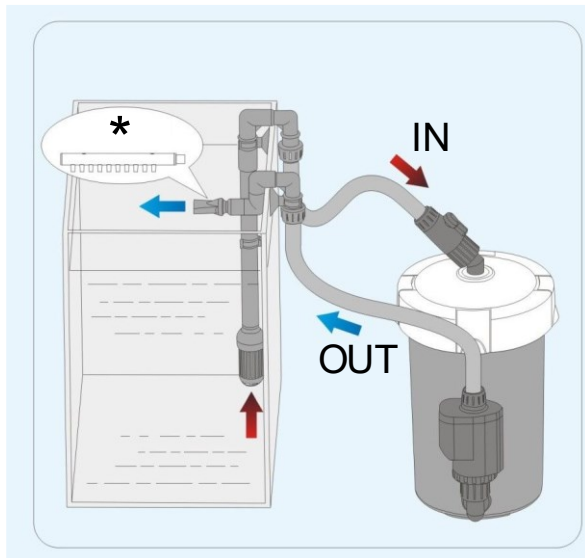
Read all safety warnings and instructions. Failure to follow the safety instructions and instructions can result in electric shock, fire, and/or serious injury.

Keep all safety notices and instructions for future use.

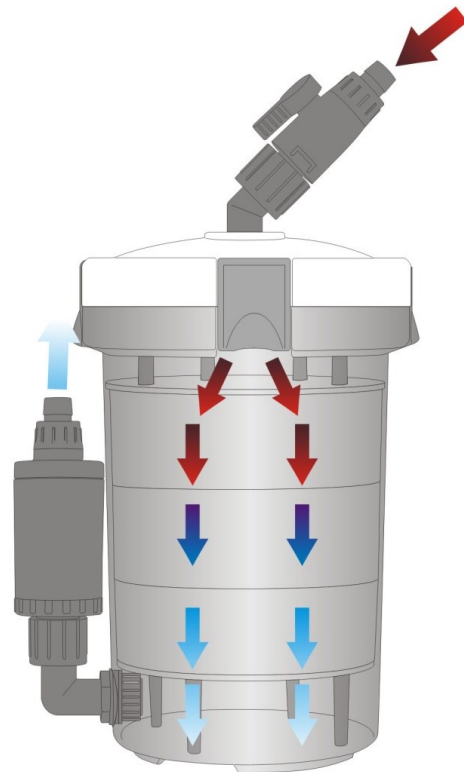
Assembly



1. Loosen the 4 clips according to the direction of the arrow (Fig. 1), flapping them down from the lid (Fig. 2).
2. Holding the filter casing, pull on the outlet to remove the lid from the casing (Fig. 3).
3. Should you want to use less or no filter sponges, you may put other material into the filter, according to the needs of your aquarium. However, the filter media (Fig. 4) should fill the entire filter so that the spacers of the filter sieve touch the lid when you close it. Put the lid back onto the filter casing and push it down to close the for clips (Fig. 5).
4. Fix the intake to the lid and the pump to the lower part of the filter casing. Screw both parts tight (Fig. 6).
5. When mounting the intake and the pump, make sure that the O-rings are at the proper position to avoid any leakage. To operate the filter, the switch must be in "ON" position.
6. To operate the filter, properly fix the green hose to the intake and pump. Pre-fill the filter casing with water to facilitate operation. Make sure that the filter is place below the aquarium level to ensure correct water flow. With the filter and supply hose being fully filled with water, install the intake accessory (part 13 of parts list).
7. It is also possible to fill the filter with water and to shortly lift it to the aquarium level. Then switch the filter on and observe the water flowing through the filter. With the water flowing, replace the filter to its proper spot.



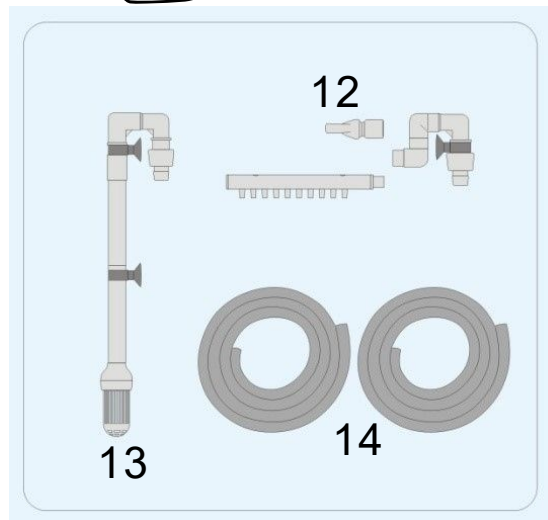
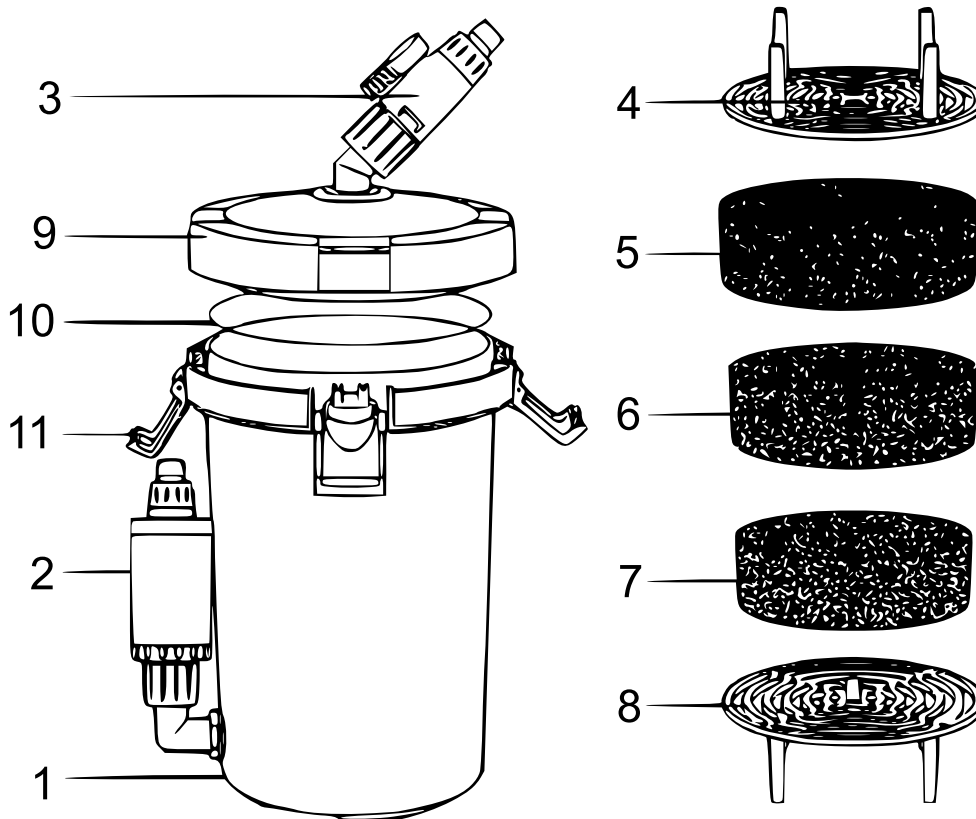
* Can choose to install.



Technical specifications

Energy supply (V / Hz)	230 / 50
Power consumption (W)	6
Cable length (m)	1.3
Hose length (m)	2 × 1.5
Capacity (ℓ)	2.3
Max. aquarium size (ℓ)	120
Max. flow rate (ℓ/h)	400
Max. delivery head (m)	0.8
Max. water temperature (°C)	35
Hose connection (mm)	12
Dimensions (mm)	160 × 155 × 172
Weight (kg)	1.25
Protection class	IP X4

Exploded view and parts list



No	Name	No	Name
1	Main body	8	Lower filter board
2	Water pump	9	Lid
3	Inlet (12 mm)	10	O-ring
4	Top filter board	11	Clip
5	Black sponge	12	Outlet accessories
6	Yellow sponge	13	Inlet accessories
7	Blue sponge	14	Green hose

Disposal regulations

EU guidelines regarding the disposal of scrap electric appliances (WEEE, 2012/19/EU) were implemented in the law related to electrical and electronic equipment and appliances.

All WiITec electric devices that fall under the WEEE regulations are labelled with the crossed-out wheeled waste bin logo. This logo indicates that this electric equipment must not be disposed with the domestic waste.

The company WiITec Technik GmbH has been registered in the German registry EAR under the WEEE-registration number DE45283704.

Disposal of used electrical and electronic appliances (intended for use in the countries of the European Union and other European countries with a separate collection system for these appliances).

The logo on the article or on its packaging points out that this article must not be treated as normal household waste but must be disposed to a recycling collection point for electronic and electrical waste equipment. By contributing to the correct disposal of this article you protect the environment and the health of your fellow men. Environment and health are threatened by inappropriate disposal.



Material recycling helps reduce the consumption of raw materials.

Additional information on recycling this article can be provided by your local community, municipal waste disposal facilities, or the store where you purchased the article.

Address:
 WiITec Wildanger Technik GmbH
 Königsbenden 12 / 28
 D-52249 Eschweiler

Important notice:

The reprint or reproduction, even of excerpts, and any commercial use, even in part, of this instruction manual require the written permission of WiITec Wildanger Technik GmbH.