

# Operation Manual

## Lawn Mower Jack

50800, 51157



Illustration similar, may vary depending on model

Read and follow the operating instructions and safety information before using for the first time.

Technical changes reserved!

Due to further developments, illustrations, functioning steps, and technical data can differ insignificantly.

Updating the documentation

If you have suggestions for improvement or have found any irregularities, please contact us.



The information contained in this document may alter at any time without previous notice. It is prohibited to copy or spread any parts of this document in any way without prior written allowance. All rights reserved.

The WilTec Wildanger Technik GmbH cannot be held accountable for any possible mistakes in this operating manual, nor in the diagrams and figures shown.

Even though, the WilTec Wildanger Technik GmbH has undergone biggest possible efforts to ensure that the operating manual is complete, faultless, and up to date, mistakes cannot be entirely avoided.

If you should find a mistake or wish to make a suggestion for improvement, we look forward to hearing from you.

Send an e-mail to:

[service@wiltec.info](mailto:service@wiltec.info)

or use our contact form:

<https://www.wiltec.de/contacts/>

The most recent version of this manual in various languages can be found in our online shop via:

<https://www.wiltec.de/docsearch>

Our postal address is:

WilTec Wildanger Technik GmbH  
Königsbenden 12  
52249 Eschweiler  
Germany

To return orders for exchange, repair, or other purposes, please use the following address. Attention! To allow for a smooth execution of your complaint or return, it is important to contact our customer service team before returning the goods.

Returns Department  
WilTec Wildanger Technik GmbH  
Königsbenden 28  
52249 Eschweiler

E-mail: **service@wiltec.info**

Tel: +49 2403 55592-0

Fax: +49 2403 55592-15



## Introduction

Thank you for purchasing this quality product. **To minimise the risk of injury we urge that our clients take some basic safety precautions when using this device. Please read the operation instructions carefully and make sure you have understood its content.**

Keep these operation instructions safe.



**Attention!** Before lifting an object, make sure you are fully aware on how the jack works. The inadequate use can cause serious injury. All other uses than the ones outlined here can damage the device and can be dangerous.

## Safety requirements

- Only use the lawn mower jack for lifting.
- Do not allow children to use or play with the device.
- At no time leave the mower jack unattended and keep children and by-standers away.
- Never overcharge the mower jack. Overcharging may damage the mower jack and/or cause a defect, resulting in serious injury.
- The mower lift is designed for a flat and hard ground. Using it on a soft surface can cause instability, making the whole construct fall over.
- Always secure the load on the lateral reinforcement located on the side opposite the hand crank. The load should always be placed horizontally on the mower jack to avoid damage and sliding or falling of the load.
- Always visually check the jack before use, without any objects on it.
- Before lifting a ride-on mower, make sure that the driver has left the seat.

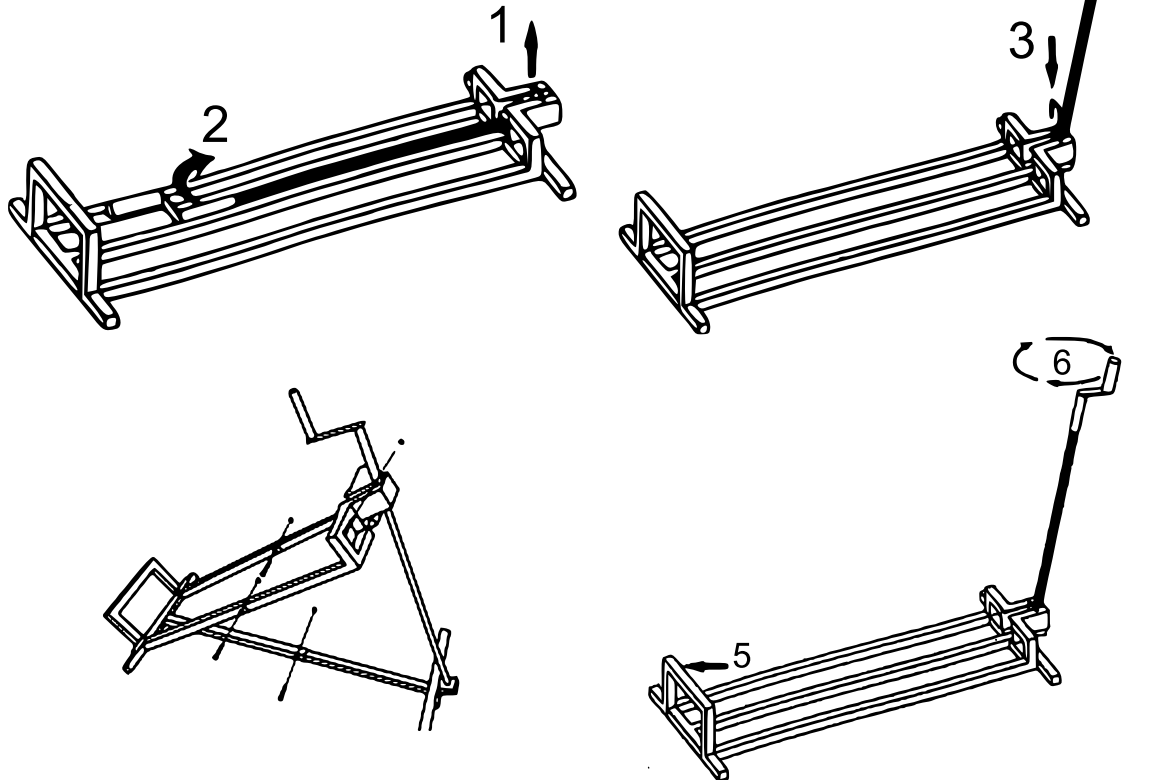
## Use

### *Assembly before use*

1. Position the jack on a flat and stable surface.
2. Expand the steel rod and secure it with three screws.
3. Install the handle and tighten it by screwing it on.
4. Remove the locking peg.
5. Place the crankshaft upwards.
6. For a better use we recommend to grease the shaft before use. This should be repeated when required to ensure the smooth functioning of the parts.

### *Assembly during use*

1. Remove the locking bracket **(1)** to be able to lift the crankshaft into an upright position **(2)**.
2. Then place the locking bracket back into place, allowing the crankshaft to be sturdily positioned upright **(3)**.
3. Then turn the hand crank clockwise enabling for the lawn mower to be lifted **(4)**.



### Lifting a lawn mower

1. Place the jack on a flat and hard surface.
  2. Position the lawn mower above the jack. The base of the lawn mower needs to be parallel to the lateral reinforcement bar opposite of the crank handle (5).
  3. **Caution:** When lifting a ride-on mower, the back wheels need to be placed on the jack.
  4. The wheel of the lawn mower needs to be positioned stably against the lateral reinforcement bar (5).
  5. The crank handle needs to be rotated clockwise to lift the mower 2–3 cm.
  6. Then ensure that the mower is positioned securely before lifting it even higher.
- In case the mower was placed wrongly, rotate the crank handle counter-clockwise, to place the mower onto the ground again. Reposition the mower and try lifting it up cautiously again.
  - **Caution:** Do not lift the lawn mower too high up, it might fall over. Only lift it as much as necessary and to be able to carry out the required work.

### Maintenance

If the jack is not in use, the crank shaft should be folded downward and secured with the bracket. Approximately every three months, the shaft needs to be greased, during this process the jack should be checked for any damage. If rust has collected anywhere, the area needs to be wiped off with an oiled cloth to ensure the jack is still in an adequate condition for use. Storing the jack in a dry and clean place is recommended to prevent rust from collecting or other damages to occur.

**Technical specifications**

<b>Item number</b>		<b>50800</b>	<b>51157</b>
<b>Max. capacity (kg)</b>		400	250
<b>Weight (kg)</b>		10	approx. 7
<b>Widths (cm)</b>	<b>Ramp</b>	95	98
	<b>Wheel support</b>	24	25
<b>Max. inclination angle (°)</b>		35	

**Important notice:**

The reprint or reproduction, even of excerpts, and any commercial use, even in part, of this instruction manual require the written permission of WiITec Wildanger Technik GmbH.