

# Operation Manual

## 5-stage Ultrafiltration Filter System NW-UF305 50805



Illustration similar, may vary depending on model

Read and follow the operating instructions and safety information before using for the first time.

Technical changes reserved!

Due to further developments, illustrations, functioning steps, and technical data can differ insignificantly.

Updating the documentation

If you have suggestions for improvement or have found any irregularities, please contact us.



The information contained in this document may alter at any time without previous notice. It is prohibited to copy or spread any parts of this document in any way without prior written allowance. All rights reserved.

The WilTec Wildanger Technik GmbH cannot be held accountable for any possible mistakes in this operating manual, nor in the diagrams and figures shown.

Even though, the WilTec Wildanger Technik GmbH has undergone biggest possible efforts to ensure that the operating manual is complete, faultless, and up to date, mistakes cannot be entirely avoided.

If you should find a mistake or wish to make a suggestion for improvement, we look forward to hearing from you.

Send an e-mail to:

[service@wiltec.info](mailto:service@wiltec.info)

or use our contact form:

<https://www.wiltec.de/contacts/>

The most recent version of this manual in various languages can be found in our online shop via:

<https://www.wiltec.de/docsearch>

Our postal address is:

WilTec Wildanger Technik GmbH  
Königsbenden 12  
52249 Eschweiler  
Germany

To return orders for exchange, repair, or other purposes, please use the following address. Attention! To allow for a smooth execution of your complaint or return, it is important to contact our customer service team before returning the goods.

Returns Department  
WilTec Wildanger Technik GmbH  
Königsbenden 28  
52249 Eschweiler

E-mail: **service@wiltec.info**

Tel: +49 2403 55592-0

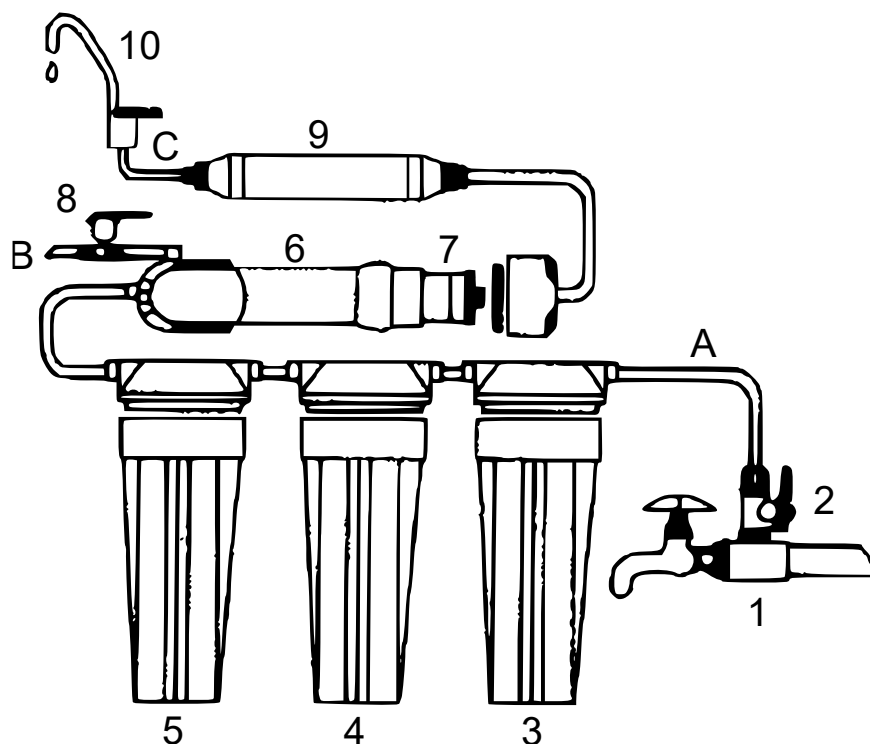
Fax: +49 2403 55592-15

## Introduction

Thank you for purchasing this quality product. **To minimise the risk of injury we urge that our clients take some basic safety precautions when using this device. Please read the operation instructions carefully and make sure you have understood its content.** Keep these operation instructions safe.

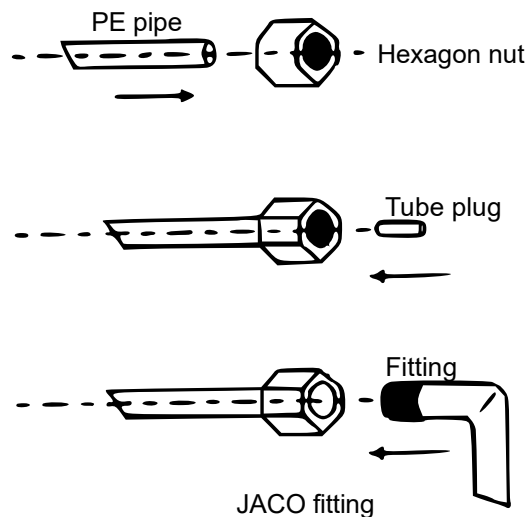
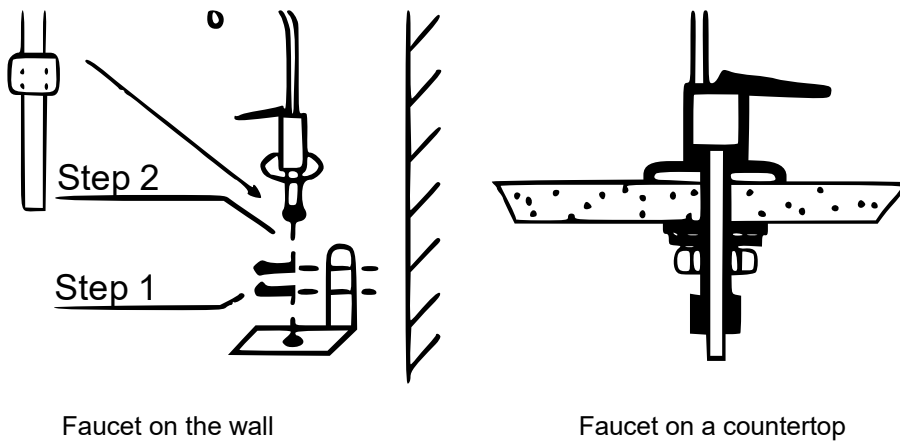
**To reduce the risk of leaks and water damage, we encourage you to always follow some basic safety precautions when using this device. Carefully read this user's manual and make sure that you understand it.**

## Components/installation



Nº	Name	Nº/Letter	Name
1	Three-way connector	7	Ultra-filtration membrane
2	Ball valve	8	Purge valve
3	Filter housing: PP fine filter	9	PI activated carbon filter "Gourmet"
4	Filter housing: granulated activated carbon	10	Swan neck water tap
5	Filter housing: activated carbon block filter	A, C	PE connection tubes
6	Filter housing: ultra-filtration membrane	B	Rinsing water discharge hose

## Installation



1. Install the three-way connector **(1)** and the ball valve **(2)** prior to the water tap.
2. To install the UF membrane **(7)**, unscrew the lid cover of the UF filter housing **(6)**, insert the UF membrane **(7)** and then screw the lid back on again.
3. Mount the swan neck water tap **(10)** in the required position and connect it to the outlet of the PI activated carbon filter "Gourmet" **(9)** with a PE connection tube.
4. The PE connection tubes are to be installed in the places A, B, and C.
5. Rinsing the system: After having installed the ball valve **(2)** and the swan neck water tap **(10)**, open the tap and let the water flow for 2 min.

## Operation

- The system should be rinsed daily, by opening the purge valve **(8)** for 2 min.
- Before using the system for the first time, it should be prepared by opening the purge valve **(8)** for 2 min and leaving at least  $\frac{1}{2}$  l of water flow through the swan neck water tap **(10)**. After having done so, the unit will provide clean water.
- After the last daily use of the filter unit, the ball valve **(2)** should be closed to protect the system against pressure shocks.

## Maintenance

To reach pure water quality, the filter must be replaced regularly depending on the quality of the raw water. For a daily use of 10 l of pure water and for use of public tap water, the following table applies:

Filter stages	Filter cartridge	Function	Life span
1 <sup>st</sup>	PP	Removes sand, salts, solids, and other suspensions with a diameter of > 5 µ	3–6 months
2 <sup>nd</sup>	Activated carbon	Absorbs odorous and taste-intensive substances, chlorine, and chlorinated compounds	6–12 months
3 <sup>rd</sup>	Activated carbon block filter	Absorbs odorous and taste-intensive substances, chlorine, and chlorinated compounds	6–12 months
4 <sup>th</sup>	UF membrane	Filtrates solved materials, bacteria, and viruses	1–2 years
5 <sup>th</sup>	Inline activated carbon	Absorbs unpleasant odours	6–12 months



### Attention!

- **When installing the unit, disconnect it from the water supply.**
- **If the osmosis unit is not used, disconnect it (osmosis unit from the water supply).**
- **If the unit has not been used for a long time, the cartridges and membrane need to be replaced.**

Important notice:

The reprint or reproduction, even of excerpts, and any commercial use, even in part, of this instruction manual require the written permission of WilTec Wildanger Technik GmbH.