

Operation Manual

Naturewater Waterfilter

50877, 50878, 50879, 50880



Illustration similar, may vary depending on model

Read and follow the operating instructions and safety information before using for the first time.

Technical changes reserved!

Due to further developments, illustrations, functioning steps, and technical data can differ insignificantly.

Updating the documentation

If you have suggestions for improvement or have found any irregularities, please contact us.



The information contained in this document may alter at any time without previous notice. It is prohibited to copy or spread any parts of this document in any way without prior written allowance. All rights reserved.

The WilTec Wildanger Technik GmbH cannot be held accountable for any possible mistakes in this operating manual, nor in the diagrams and figures shown.

Even though, the WilTec Wildanger Technik GmbH has undergone biggest possible efforts to ensure that the operating manual is complete, faultless, and up to date, mistakes cannot be entirely avoided.

If you should find a mistake or wish to make a suggestion for improvement, we look forward to hearing from you.

Send an e-mail to:

service@wiltec.info

or use our contact form:

<https://www.wiltec.de/contacts/>

The most recent version of this manual in various languages can be found in our online shop via:

<https://www.wiltec.de/docsearch>

Our postal address is:

WilTec Wildanger Technik GmbH
Königsbenden 12
52249 Eschweiler
Germany

To return orders for exchange, repair, or other purposes, please use the following address. Attention! To allow for a smooth execution of your complaint or return, it is important to contact our customer service team before returning the goods.

Returns Department
WilTec Wildanger Technik GmbH
Königsbenden 28
52249 Eschweiler

E-mail: **service@wiltec.info**

Tel: +49 2403 55592-0

Fax: +49 2403 55592-15

Introduction

Thank you for purchasing this quality product. **To minimise the risk of injury we urge that our clients take some basic safety precautions when using this device. Please read the operation instructions carefully and make sure you have understood its content.**

Keep these operation instructions safe.

- Our double water filters are equipped with a 10" 5 µ sediment fine filter and a 10" 5 µ activated carbon block, which produce high-purity water. They are very reasonably priced and easy to install and handle. In terms of quality and filter performance, the system corresponds to systems that are offered at significantly higher prices.
- Depending on the filter inserts used, the system is the solution for almost all water impurities.
- The water filter system offered here comes with a 5 µ sediment filter insert and a 5 µ activated carbon block filter insert, which reliably remove sand, rust, algae, and other suspended particles from the water.
- Of course, the 10" (254 mm) filter inserts used here can be exchanged and replaced with other materials as required. A complete list of all suitable filter inserts can be found in the table below.
Note: Sediment filters are not washable and must be replaced approximately every 6 months (DIN 1988).
- The system does not contain any RO membrane (reverse osmosis) or ion exchanger. This means that the vital natural mineral content is largely preserved and the water hardness is only very slightly affected.

Technical data

1 st filter stage	
Product name	5 µ sediment filter PP-10 A (item 50820)
Max. Flow rate – filter medium ($\frac{l}{h}$)	800 at 20 °C water temperature
Filter efficiency (%)	98
Filter unit (µ)	5
Max. Operating pressure (bar)	6
Max. Pressure loss (bar)	2
Max. Temperature (°C)	30
Height (mm)	254 (10")
Diameter (mm)	60
Inner diameter (mm)	27

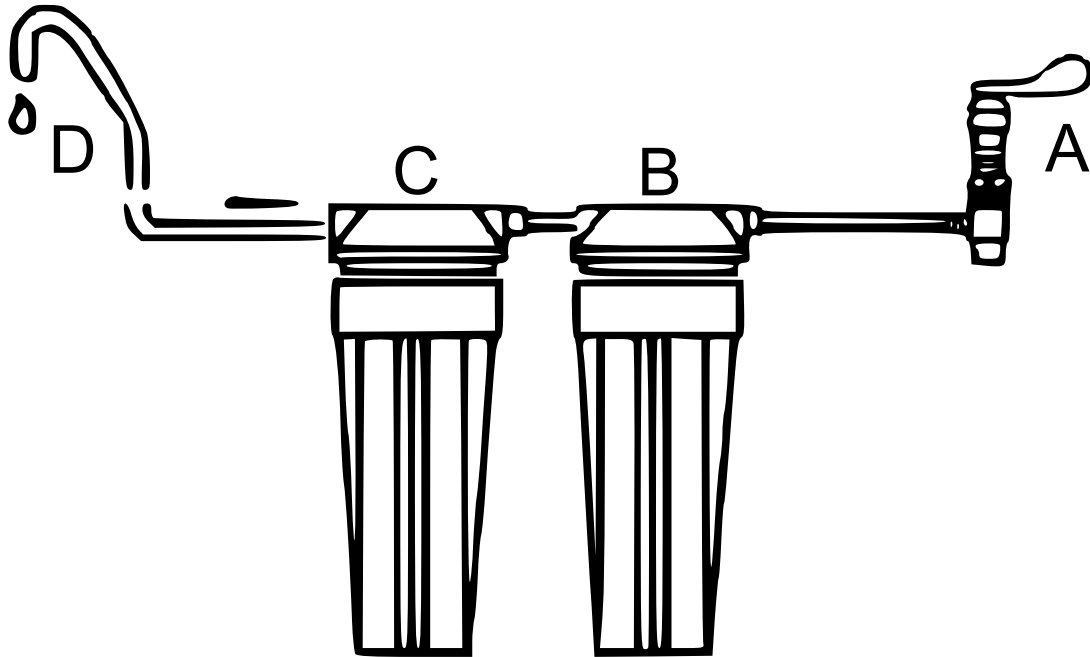
2nd and 3rd filter stage	
Product name	<i>2nd filter stage:</i> 5 µ activated carbon granulate (item 50827)
	<i>3rd filter stage:</i> 5 µ activated carbon block (Item 50825)
Max. Flow rate – filter medium (1/h)	720 at 20 °C water temperature
Filter efficiency (%)	95
Filter unit (µ)	5
Max. Operating pressure (bar)	6
Max. Pressure loss (bar)	0,8
Max. Temperature (°C)	38
Height (mm)	254 (10")
Diameter (mm)	70
Inner diameter (mm)	27

3-stage water filter system NW-PR103	
Dimensions (mm)	390 × 155 × 360
Filter housing (mm)	254 (10")
Filter housing suitable for (mm)	254 (10") / ø 62 filter cartridges
Connections (mm)	20.67 (1/2") / brass

General information

1. Sediment filtration to 5 µ:
This removes sediment particles in the water such as sand, rust, and algae.
2. Toxic filtering:
 - With the help of a filter cartridge made of pressed activated carbon, a large part of the toxins can be filtered from your water, e.g., ozone, pesticides, rust, lime particles, and chlorine. The concentration of heavy metals such as lead, copper, etc. is significantly reduced. In addition, activated carbon decolours the water if it is cloudy, e.g., yellow or brown. Furthermore, activated carbon removes odours from the water.
 - With a filter cartridge made of activated carbon granulate, the last remaining toxins are filtered out of your water.
3. Ultrafilter membrane:
It filters all particles >0.22 µ (0.00022 mm) from the water. This stage removes all remaining bacteria, protozoa, cysts, algae, spores, fungal spores, etc. This membrane, being used by the industry for mineral water purification, is almost impossible to be purchased in ordinary specialised shops. Ultrafilters are also used for drinking water treatment in disaster areas, e.g., by German THW (*Technisches Hilfswerk*, Federal Agency for Technical Relief).
4. PI activated charcoal filter "Gourmet"
This filter is made of high-quality coconut activated carbon granulate with the largest possible surface area. This filter removes substances from the water that are unpleasant for the smell and taste so that the taste of the water is pure and refreshing.
5. The filters are provided with sealing flaps and/or sealed in foil. Due to this measure, this product has no best-before date. Therefore, you can store this product without loss of quality.

Installation and application



Letter	Name
A	Diverter valve
B	Filter combination of PP sediment and granular activated carbon
C	Block activated carbon filter with 68 mm outer diameter (CTO-10 B 5 μ)
D	Outlet tap

Open the three housings and insert the three types of filter cartridges (PC-10, CTO, and UDF) into the housings. Then seal the three housings.

Hint! Wash the CTO and UDF before inserting them into the housing.

Functions of the filter cartridges

Filter cartridge	Function	Service life
PC-10	Removal of sand, silt and other sediments with a diameter of more than 5 μ from the water and absorption of odours from the water.	3–6 months
CTO		6–12 months

Important notice:

The reprint or reproduction, even of excerpts, and any commercial use, even in part, of this instruction manual require the written permission of WilTec Wildanger Technik GmbH.