

Operation Manual

3-in-1 Filter CUF-2500, CUF-5000, CUF-6000

50945, 50946, 50947



Illustration similar, may vary depending on model

Read and follow the operating instructions and safety information before using for the first time.

Technical changes reserved!

Due to further developments, illustrations, functioning steps, and technical data can differ insignificantly.

Updating the documentation

If you have suggestions for improvement or have found any irregularities, please contact us.



The information contained in this document may alter at any time without previous notice. It is prohibited to copy or spread any parts of this document in any way without prior written allowance. All rights reserved.

The WilTec Wildanger Technik GmbH cannot be held accountable for any possible mistakes in this operating manual, nor in the diagrams and figures shown.

Even though, the WilTec Wildanger Technik GmbH has undergone biggest possible efforts to ensure that the operating manual is complete, faultless, and up to date, mistakes cannot be entirely avoided.

If you should find a mistake or wish to make a suggestion for improvement, we look forward to hearing from you.

Send an e-mail to:

service@wiltec.info

or use our contact form:

<https://www.wiltec.de/contacts/>

The most recent version of this manual in various languages can be found in our online shop via:

<https://www.wiltec.de/docsearch>

Our postal address is:

WilTec Wildanger Technik GmbH
Königsbenden 12
52249 Eschweiler
Germany

To return orders for exchange, repair, or other purposes, please use the following address. Attention! To allow for a smooth execution of your complaint or return, it is important to contact our customer service team before returning the goods.

Returns Department
WilTec Wildanger Technik GmbH
Königsbenden 28
52249 Eschweiler

E-mail: **service@wiltec.info**

Tel: +49 2403 55592-0

Fax: +49 2403 55592-15



Introduction

Thank you for purchasing this quality product. **To minimise the risk of injury we urge that our clients take some basic safety precautions when using this device. Please read the operation instructions carefully and make sure you have understood its content.**

Keep these operation instructions safe.

Safety instructions

CAUTION:

On standing water, garden and swimming ponds and in their vicinity, the device may only be used with a residual current circuit breaker with a rated current of up to 30 mA (according to VDE 0100 parts 702 and 738).

This device is not intended to be used by persons (including children) with limited physical, sensory, or mental capabilities or lack of experience and/or knowledge, unless they are supervised or obtained from a person responsible for their safety her instructions on how to use the device.

Children should be supervised to ensure that they do not play with the device.

ATTENTION:

- Perform a visual inspection of the device before each use. Do not use the device if safety devices are damaged or worn. Never override safety devices.
- Only use the device in accordance with the intended use specified in these operating instructions.
- You are responsible for the safety in the work area.
- If the cable or the plug is damaged due to external influences, the cable must not be repaired! It must be exchanged for a new one. This work may only be carried out by a qualified electrician.
- The voltage of 230 V AC specified on the nameplate of the device must correspond to the existing mains voltage.
- Never lift, transport, or fasten the device by the power cord.
- Make sure that the electrical plug connections are protected from flood or moisture.
- Pull the power plug before working on the device.
- Avoid exposing the device to direct water jets.
- The operator is responsible for compliance with location-specific safety and installation regulations. If necessary, ask a qualified electrician.
- The user must take appropriate measures to prevent consequential damage from flooding of rooms in the event of malfunctions on the device (e.g., installation of an alarm system, standby pump, etc.).
- If the device fails, repairs may only be carried out by a qualified electrician.
- The device must never run dry or be operated with the suction line fully closed. The manufacturer's guarantee is void for damage to the device caused by running dry.
- The device must not be used to operate swimming pools.
- The device must not be installed in the drinking water circuit.
- Set up the device so that it is not exposed to direct sunlight
- **Only operate the UV tube in a closed, unbroken housing.**

WARNING:

Read all safety warnings and instructions. Failure to follow the safety instructions and instructions could result in electric shock, fire, and/or serious injury.

Keep all safety notices and instructions for future use.

Resistance

- The temperature of the liquid transported should not exceed + 35 °C in continuous operation.
- No flammable, gas-forming or explosive liquids may be conveyed with this pump. This pump must not be used for other liquids, especially not for engine fuels, cleaning agents, and other chemical products!

Electrical connection

- The electrical connection is made to a 230 V ~ 50 Hz protective contact socket. Fusing at least 10 A.
- The device is switched on and off with the built-in on/off switch (depending on the model).

Caution:

The CUF series includes UV clarifiers with an integrated pump. The devices consist of a pump and a UV lamp. The devices must not be operated if they are damaged or open, as the UV rays can damage the eyes and skin.

- This device should be placed under water. Make sure that the device is completely submerged in the water. The depth should not exceed 2 m.
- Do not switch on the device before it is in the water. Damage can occur if the device is operated without water.
- Please ensure that the device is on a solid surface and cannot tip over or fall over. Violent vibrations can damage the quartz glass tube it contains.
- Only use the device if there is no evidence of damage to the cable or to the device itself.
- The device must not be operated when people are in the water.
- The maximum pressure that can be exerted on the device is 2 bar.

Operative range

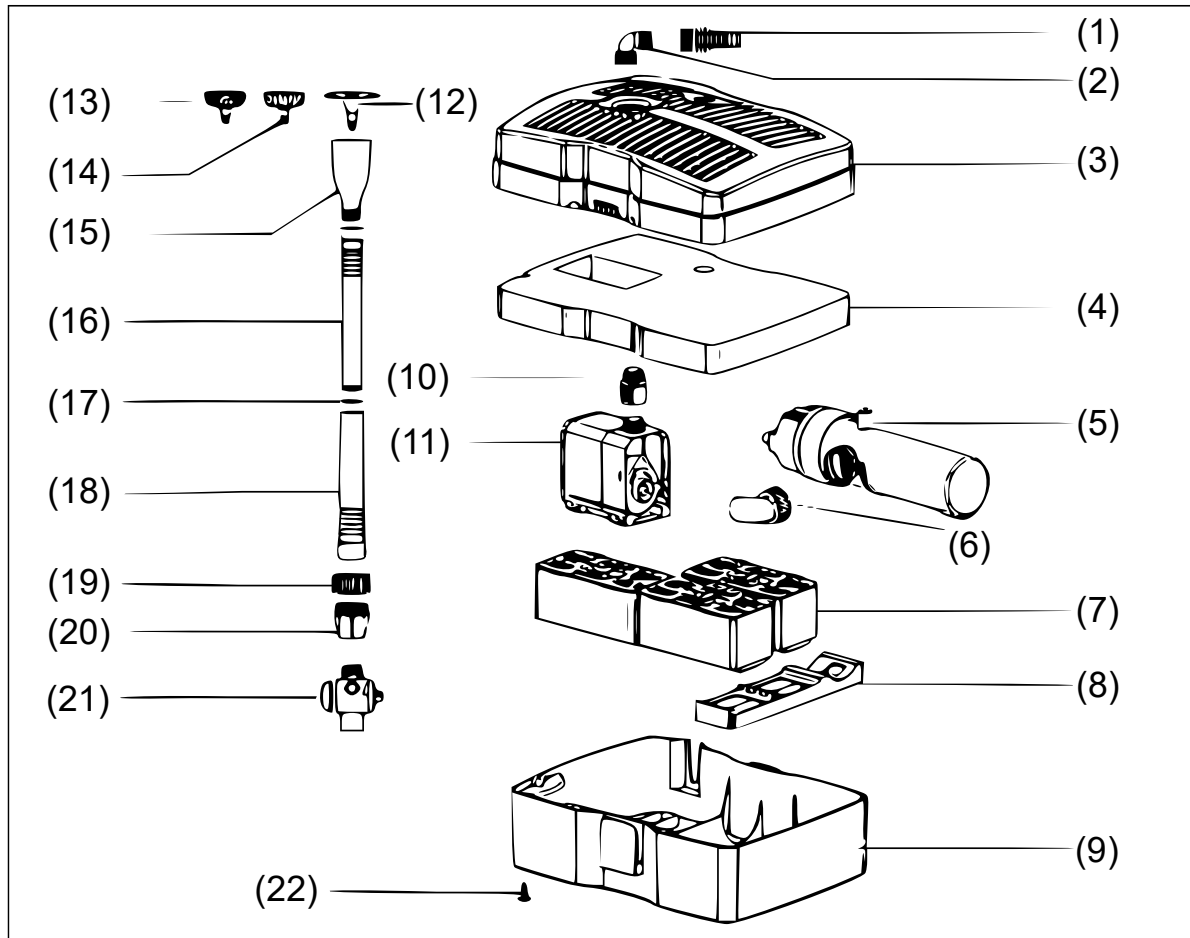
This UVC device ensures healthy fish and clear water. You can use it in ponds as well as in aquariums. The water is pumped through the UVC device with a pump. There it flows past a UV lamp and is exposed to UVC radiation, which destroys the bacteria, pathogens and floating algae in the water. This will make the water clear.



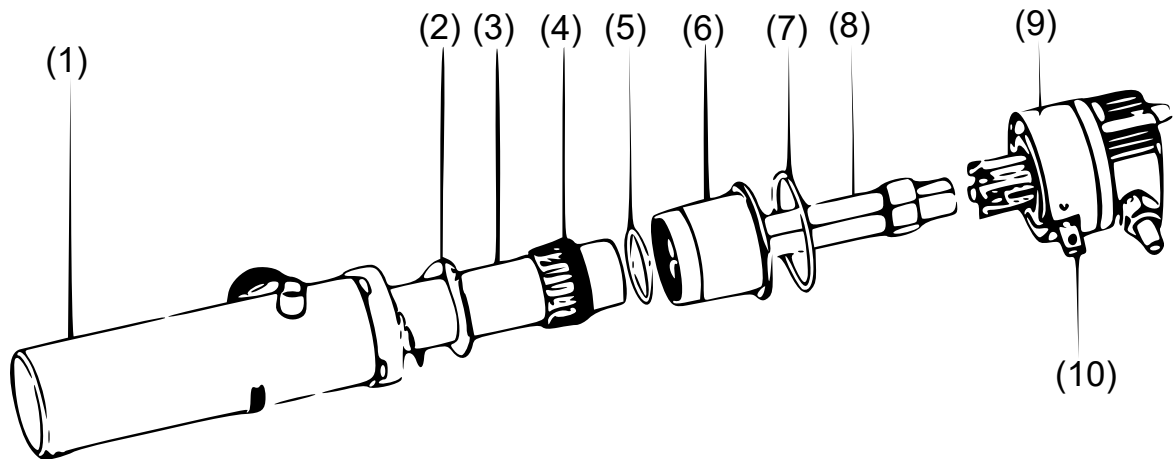

Technical specifications

| Item number | Article | Power supply | Power (W) | UV-C lamp (W) | Max. lifting height (m) | Max. flow rate (ℓ/h) | Outlet (mm) |
|-------------|----------|---------------------|-----------|---------------|-------------------------|----------------------|--------------------------------|
| 50945 | CUF-2500 | 220–240 V/ 50 Hz | 28 | 9 | 1.6 | 1000 | 13 / 19 / 25 (½" / ¾" / 1") |
| 50946 | CUF-5000 | | 42 | | 2.0 | 2000 | |
| 50947 | CUF-6000 | | 54 | | 2.5 | 2500 | |

Explosion views and part lists

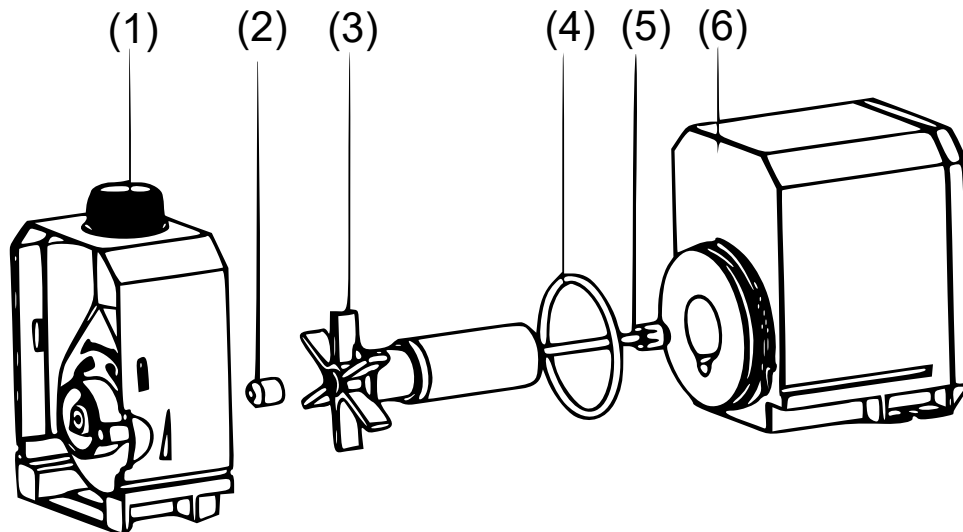


| No | Name | No | Name | No | Name |
|----|--------------|----|-----------------------------|----|-------------------|
| 1 | Outlet | 9 | Filter base | 17 | O-ring |
| 2 | Elbow pipe 1 | 10 | Adapter | 18 | Connection pipe 2 |
| 3 | Filter cover | 11 | Water pump | 19 | Nut |
| 4 | Sponge | 12 | Fountain head (tent type) | 20 | Flange |
| 5 | UV-C lamp | 13 | Fountain head (rain type 1) | 21 | T-joint |
| 6 | Elbow pipe 2 | 14 | Fountain head (rain type 2) | 22 | Screw |
| 7 | Filter boxes | 15 | Fountain sets base | | |
| 8 | Runner plate | 16 | Connection pipe 2 | | |



UVC lamp

| No | Name | No | Name | No | Name |
|-----|----------------------|-----|--------------------------|------|-----------------------------|
| 5-1 | UV-C lamp shell body | 5-5 | 45×4 O-ring | 5-9 | UV-C device head with cable |
| 5-2 | Spiral sleeve | 5-6 | Quartz glass tube sleeve | 5-10 | Safety clasp |
| 5-3 | Quartz glass tube | 5-7 | 60×3.1 O-ring | | |
| 5-4 | Fasten screw | 5-8 | UVC bulb | | |



Pump

| No | Name | No | Name | No | Name |
|------|----------------|------|--------|------|------------|
| 11-1 | Impeller cover | 11-3 | Rotor | 11-5 | Shaft |
| 11-2 | Rubber bearing | 11-4 | O-ring | 11-6 | Shell body |



Operation

1. The device is designed for use under water. Make sure that the device is completely submerged in the water. It must not be more than 2 m below the surface of the water.
2. If the water depth is not sufficient to completely submerge the device, it must not be used. There is a risk of irreparable dry-running damage to the device.
3. Parts of the UV lamp are made of glass; you must therefore ensure that the device does not fall or be hit hard. There is a risk of breakage.
4. Please install all parts completely before plugging in the power plug.
5. The device must not be used if there is any damage to it, the power cord or the lamp. Check thoroughly before commissioning.
6. Never operate the device without a filter sponge. The filter sponge should be cleaned regularly; we recommend cleaning it at least once a month. Operation without a filter sponge can cause damage to the pump and the UV unit from foreign bodies.

Installation and cleaning

Disconnect the device from the power supply when cleaning it or performing maintenance work.

Installation

1. Please connect parts 15, 16, 17, 20 and 21, select the desired fountain attachment and connect the entire structure to part 15.
2. Push the riser pipe together to the desired size and place the device in the water.
3. The fountain is optional and does not need to be installed if you just want to circulate the water, for example.

Cleaning

1. Dismantle the fountain attachment and loosen the screw 22, open the two clips on the side of the device. You can now remove the filter cover.
2. Remove the filter sponge and the filter boxes and clean them or replace them if necessary. The sponge needs to be cleaned regularly.

UV lamp care:

1. Take the UV lamp and release the locking lever. Turn the cylinder counter-clockwise until it stops. Now you can pull out the lamp and change the UV lamp.
2. To clean the quartz glass sleeve, loosen screw ring 4 and pull the sleeve out of the connector.

Pump care:

1. Turn the pump cover counter-clockwise until it stops. Now you can pull the housing parts apart.
2. Pull the pump shaft out of the housing and clean it thoroughly with a soft brush and clean water.

Winter storage

1. Remove the device from the pool.
2. Thoroughly clean all components.
3. Check all components for damage.
4. Store the device in a frost-free place and in a container filled with water.

Disposal regulations

EU guidelines regarding the disposal of scrap electric appliances (WEEE, 2012/19/EU) were implemented in the law related to electrical and electronic equipment and appliances.

All WiITec electric devices that fall under the WEEE regulations are labelled with the crossed-out wheeled waste bin logo. This logo indicates that this electric equipment must not be disposed with the domestic waste.

The company WiITec Technik GmbH has been registered in the German registry EAR under the WEEE-registration number DE45283704.

Disposal of used electrical and electronic appliances (intended for use in the countries of the European Union and other European countries with a separate collection system for these appliances).

The logo on the article or on its packaging points out that this article must not be treated as normal household waste but must be disposed to a recycling collection point for electronic and electrical waste equipment. By contributing to the correct disposal of this article you protect the environment and the health of your fellow men. Environment and health are threatened by inappropriate disposal.



Material recycling helps reduce the consumption of raw materials.

Additional information on recycling this article can be provided by your local community, municipal waste disposal facilities, or the store where you purchased the article.

Address:
 WiITec Wildanger Technik GmbH
 Königsbenden 12 / 28
 D-52249 Eschweiler

Important notice:

The reprint or reproduction, even of excerpts, and any commercial use, even in part, of this instruction manual require the written permission of WiITec Wildanger Technik GmbH.