

Operation Manual

Adjustable SuperECO pond pump CET-8000, CET-15000

50982, 51192



Illustration similar, may vary depending on model

Read and follow the operating instructions and safety information before using for the first time.

Technical changes reserved!

Due to further developments, illustrations, functioning steps, and technical data can differ insignificantly.

Updating the documentation

If you have suggestions for improvement or have found any irregularities, please contact us.



The information contained in this document may alter at any time without previous notice. It is prohibited to copy or spread any parts of this document in any way without prior written allowance. All rights reserved.

The WilTec Wildanger Technik GmbH cannot be held accountable for any possible mistakes in this operating manual, nor in the diagrams and figures shown.

Even though, the WilTec Wildanger Technik GmbH has undergone biggest possible efforts to ensure that the operating manual is complete, faultless, and up to date, mistakes cannot be entirely avoided.

If you should find a mistake or wish to make a suggestion for improvement, we look forward to hearing from you.

Send an e-mail to:

service@wiltec.info

or use our contact form:

<https://www.wiltec.de/contacts/>

The most recent version of this manual in various languages can be found in our online shop via:

<https://www.wiltec.de/docsearch>

Our postal address is:

WilTec Wildanger Technik GmbH
Königsbenden 12
52249 Eschweiler
Germany

To return orders for exchange, repair, or other purposes, please use the following address. Attention! To allow for a smooth execution of your complaint or return, it is important to contact our customer service team before returning the goods.

Returns Department
WilTec Wildanger Technik GmbH
Königsbenden 28
52249 Eschweiler

E-mail: **service@wiltec.info**

Tel: +49 2403 55592-0

Fax: +49 2403 55592-15



Introduction


Thank you for purchasing this quality product. **To minimise the risk of injury we urge that our clients take some basic safety precautions when using this device. Please read the operation instructions carefully and make sure you have understood its content.**

Keep these operation instructions safe.

Unpacking

If the article is visibly damaged, please contact the vendor.

Safety regulations

- For your own safety, please contact an electrical specialist in case of questions and problems.
- Do not connect the power supply until all parts are installed.
- Only plug the pump in a power receptacle with ground contact. This type of outlet must have been set up according to the respective national directives. Ensure that the PE conductor goes all the way to the pump.
- Make sure that the voltage in the pump is the same as the actual power supply.
- Electrical installations on garden ponds must correspond to the national and international installation directives.
- Only operate the pump if there is no one in the water.
- Do not carry or pull the pump by the connecting cord. The cable must not get in contact with heat or grease; it must not touch sharp angles.
- The pump may not be operated if the cable or the casing are defective.
- Never transport any liquids other than water.
-  **Attention:** The pump will automatically stop working if overloaded or running without water.
- The controller is not water-proof; put it in a dry and well-ventilated place.
- Do not inspect the electrical parts of the pressure pond filter in a wet or damp environment or when you are wet yourself, and protect it from direct sunlight.
- Install this device in a safe location so that nobody can step on, fall over, or damage the cable.
- Disconnect the power plug before cleaning, and use only a damp cloth for cleaning. Avoid using cleaning agents and make sure that no liquid enters the electric parts of the pump.
- The electric parts of the device contain no parts that can be inspected or serviced by the user. Leave the maintenance, adjustment, and repair to qualified technical personnel. In case of unauthorised intervention, the 2-year warranty is no longer valid!

Use

Applies to ponds, rockery, aquarium tanks, and seafood tanks.

Features

- Multi-function intelligent control, can adjust flow and power
- New electronic frequency conversion technology, energy saving 60 %
- Centrifugal impeller design, improves H-max and output
- Super silence, usable both in fresh and sea water
- New and generous design, rotary handle, easy to carry
- Rotary footings, can work both vertical or horizontal




- Ceramic shaft, wear and rust resistance
- Long service life, no copper element
- Multistage outlet, suitable for a variety of pipe diameter connection
- Electric drive, safe and stable
- External aluminium alloy radiator of the controller can dispatch well heat well
- With anti-blocking and anti-idling function (cuts off power immediately and automatically if impeller is blocked, immediately and automatically cuts off power if pump is idling)
- With alarm function, warns you of various abnormal problems

Installation

1. Notify your dealer immediately if there are external damages.
2. Compare the voltage and frequency of your electrical circuit with the data on the model plate, these data must correspond.
3. Connect the pipeline if needed. (**Attention:** The piping system must not contain bubbles.) Hose connection diagram is as follows:



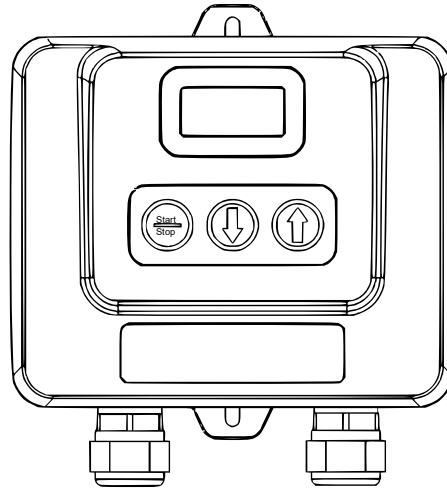
This product disposes of a variety of outlets, you can select one according to the size. Loosen the nut in clockwise direction, connect the hose, tighten the nut in anti-clockwise direction.

4.  **Attention:** the pump must be installed below the water level 20 cm at least; the water surface must be stale and horizontal.
5. Do not place the pump directly in muddy pond floors, place it on a raised surface.
6. Connect the pump with the controller of four core wire (Fig. 1), lock the nut as shown in Fig. 2.




Controller unit

The controller consists of hook, panel, touch buttons and fixed foot.



- Switch function
After the power is switched on, touch “START-STOP,” control the pump switch.

 **Attention:** please cut off the power if you do not use the pump for a long time.

- Adjust the gear level

Touch “DOWN” or “UP” to adjust pump gear. Consult the detailed performance data below:

50982 (CET-8000)

Power supply	Gear level	Power (W)	Flow rate (l/h)	Max. lifting head (m)
220–240 V, 50 Hz	SP01	18	3500	1.6
	SP02	23	4000	1.9
	SP03	28	4600	2.3
	SP04	35	5000	2.7
	SP05	42	5400	3.1
	SP06	51	5800	3.5
	SP07	60	6200	3.9
	SP08	66	6700	4.5
	SP09	73	7200	4.8
	SP10	80	8000	5.4


51192 (CET-15000)

Power supply	Gear level	Power (W)	Flow rate (l/h)	Max. lifting head (m)
220–240 V, 50 Hz	SP01	37	7500	2,3
	SP02	47	8500	2,7
	SP03	61	9200	3,2
	SP04	77	10.000	3,7
	SP05	97	11.000	4,3
	SP06	110	11.500	4,9
	SP07	124	12.000	5,4
	SP08	142	12.700	6,0
	SP09	157	13.500	6,5
	SP10	180	15.000	7,0

- Feeding function

Long press “UP” until the buzzer sounds twice; delay start is activated. You have 10 min to feed the fish. Operation is the same if you want to cancel this delay start.

- Lock/unlock function

With the correct gear, you need to press “down” until the buzzer sounds twice. The pump is now locked. To unlock proceed in the same way.

- Automatic memory function

When the controller power is cut off suddenly, it keeps its memory. The pump will automatically recover its operation state as before when the power is switched on another time.

- Alarm function

The pump will cut off power immediately and automatically if the pump idles. It will re-start automatically to work again after 5 s. If still idling, the pump will automatically cut the power off again. After five times of repeated activation, the pump will power off until re-connect the power. Meanwhile, the alarm buzzer will sound.

The pump will cut off power automatically and immediately if the impeller is blocked, and the alarm buzzer will sound until the pump is re-connected to the power supply.

- Code definition and troubleshooting

Code	Definition	Status	Solution
P000	Device off	—	—
Pxxx	xxx= Power in watts	—	
SP00	Gear	Normal	
FEE0	Delayed start	Normal	
ER05	Short-circuit current display	Abnormal	Check controller unit.
ER04	Overheat/flicker	Abnormal	Clean pump.
ER03	Pump works without water	Abnormal	Check the pump if working without water.
ER02	Pump block	Abnormal	Check the impeller if blocked.
ER01	Over-/undervoltage display	Abnormal	Check voltage.

Maintenance/cleaning

Please clean the filter casing, impeller, rotor, and shaft part regularly. Please cut off the power before you clean it.



1



2



3



4



5



6

1. Turn and take off the filter casing (Fig. 1, Fig. 2).
2. Press the security clasp vertically (Fig. 3), and take off the impeller cover (Fig. 4).
3. Take off the rotor set (Fig. 5), then you can clean or change.
4. Installation position of the O-ring as shown on Fig. 6.

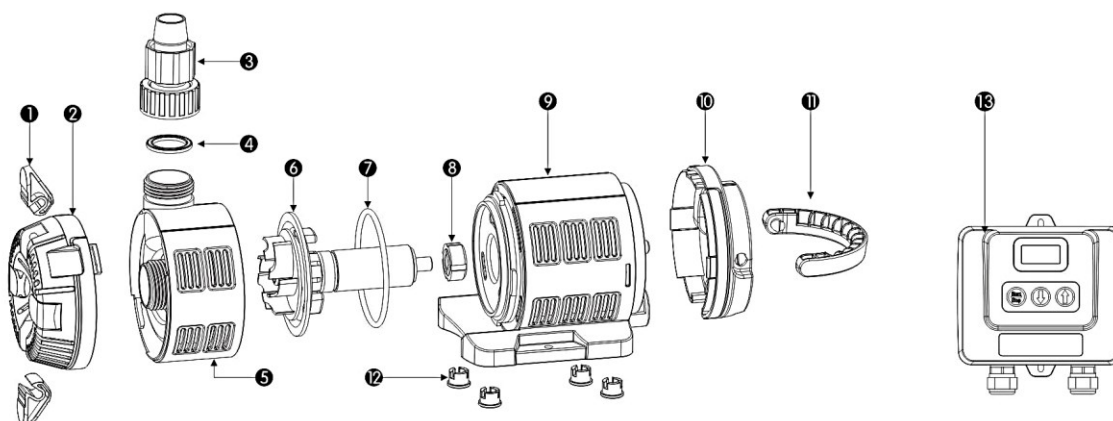
If the pump is not used for a long time, please run the pump in clean water for a short time. Then rinse it with clean water. After that, dry it and keep it in a secure place.

If the temperature is below 0 °C, the water in the pump should be discharged immediately to prevent a freezing damage.

Troubleshooting

Problem	Cause	Solution
Pump does not run	No power supply	Connect the power
	Burning machine	Change pump
	Impeller stall	Clean and re-link to power
	Runs without water	Fill with water and re-link to power
	Not connected with the controller unit	Re-link to the controller unit
	The controller is damaged	Change the controller
Pump noise	Dirt inside	Clean pump
	Shaft break or wear	Change shaft
Pump water shortage	Damage of the impeller	Change impeller
	Inlet or outlet obstruction	Clean inlet and outlet
	Filter case obstruction	Clean filter case
	Low voltage	Adjust voltage

Exploded view



No	Name	No	Name
1	Bottom foot	8	Ceramic bearing
2	Filter case	9	Motor with cable
3	Outlet	10	Rear cover
4	Seal circle	11	Handle
5	Impeller cover	12	Rubber foot
6	Rotor set	13	Gear box with cable
7	O-Ring		

Disposal regulations

EU guidelines regarding the disposal of scrap electric appliances (WEEE, 2012/19/EU) were implemented in the law related to electrical and electronic equipment and appliances.

All WiITec electric devices that fall under the WEEE regulations are labelled with the crossed-out wheeled waste bin logo. This logo indicates that this electric equipment must not be disposed with the domestic waste.

The company WiITec Technik GmbH has been registered in the German registry EAR under the WEEE-registration number DE45283704.

Disposal of used electrical and electronic appliances (intended for use in the countries of the European Union and other European countries with a separate collection system for these appliances).

The logo on the article or on its packaging points out that this article must not be treated as normal household waste but must be disposed to a recycling collection point for electronic and electrical waste equipment. By contributing to the correct disposal of this article you protect the environment and the health of your fellow men. Environment and health are threatened by inappropriate disposal.



Material recycling helps reduce the consumption of raw materials.

Additional information on recycling this article can be provided by your local community, municipal waste disposal facilities, or the store where you purchased the article.

Address:
 WiITec Wildanger Technik GmbH
 Königsbenden 12 / 28
 D-52249 Eschweiler

Important notice:

The reprint or reproduction, even of excerpts, and any commercial use, even in part, of this instruction manual require the written permission of WiITec Wildanger Technik GmbH.