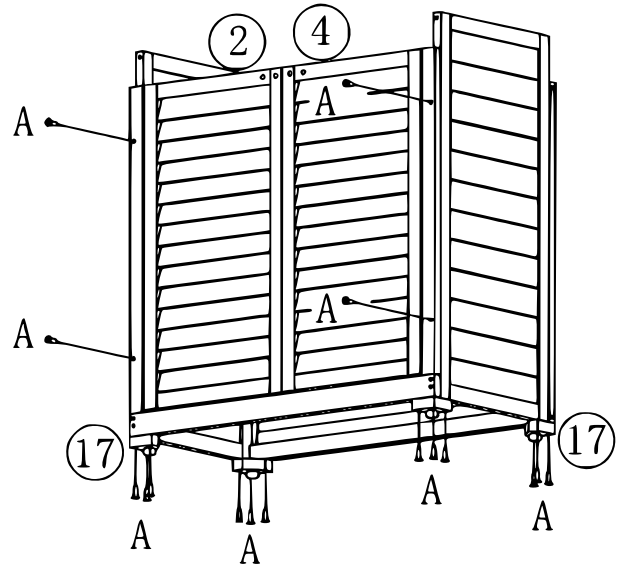
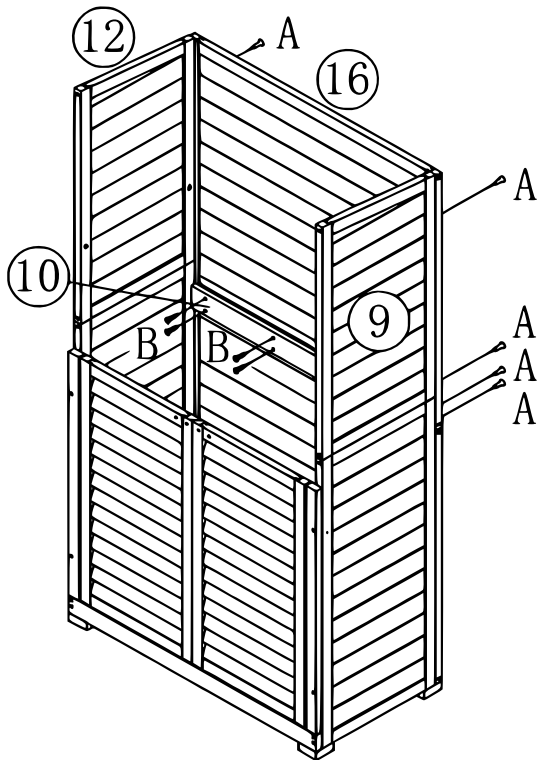


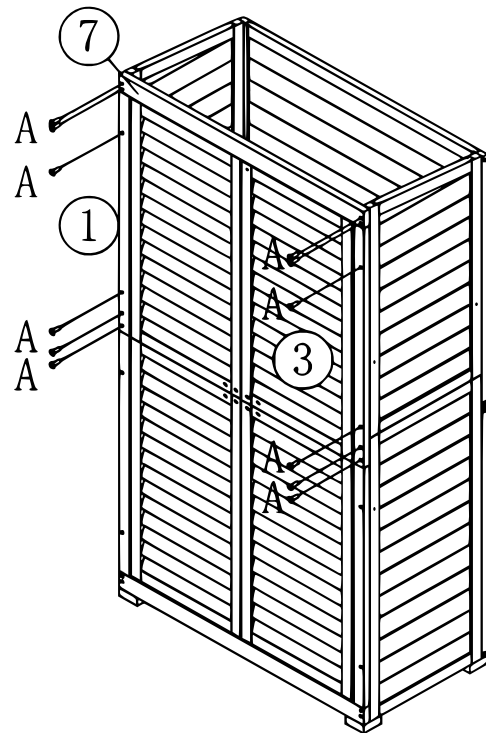
Step 1 | A 3.5×40 mm (8)



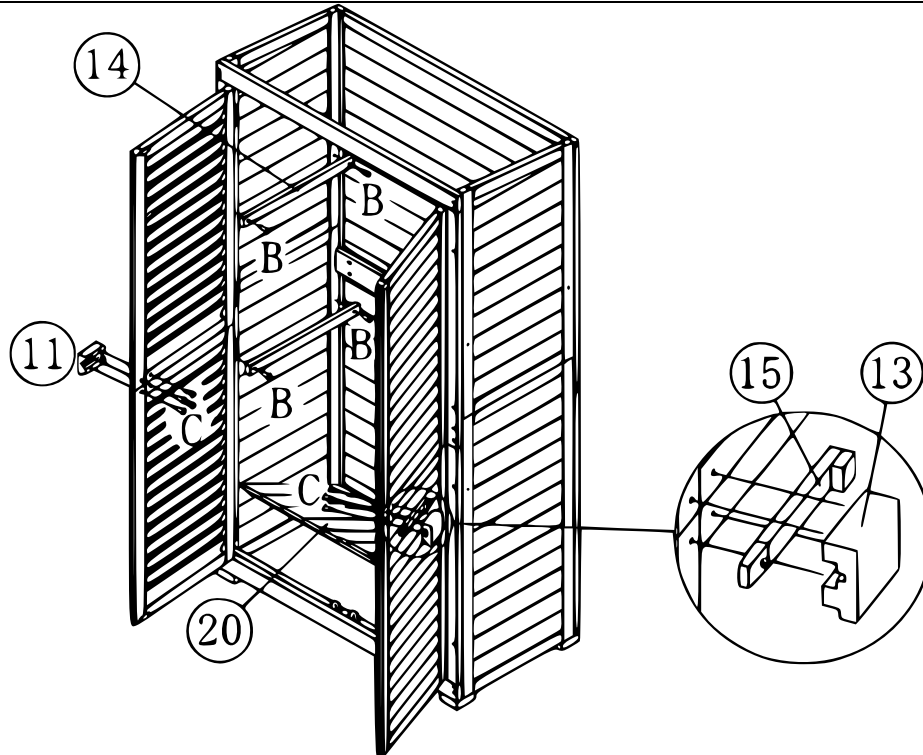
Step 2 | A 3.5×40 mm (16)



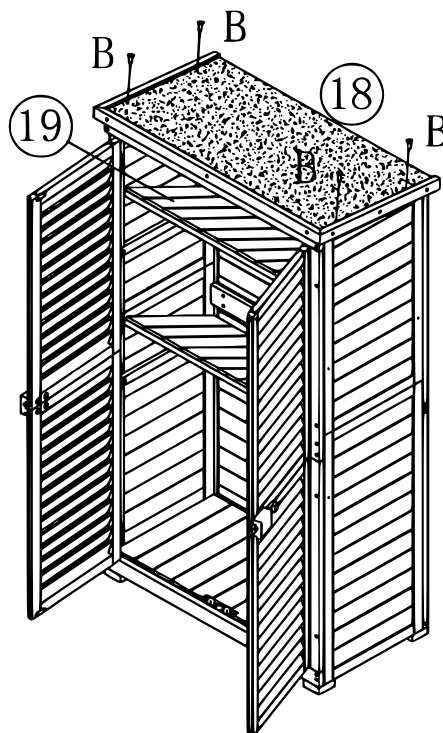
Step 3 | A 3.5×40 mm (8) – B 3.5×30 mm (8)



Step 4 | A 3.5×40 mm (12)



Step 5 | B 3.5×30 mm (8) – C 3.5×35 mm (8)



Step 6 | B 3.5×30 mm (4)

Important Note:

Reproduction and any commercial use (of parts) of this operating manual, requires a written permission of WilTec Wildanger Technik GmbH.