





ASSEMBLY 51070






A 3.5×40 (22)

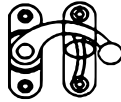

B 3.5×50 (4)



C 3.0×16 (26)



D 3.0×22
(2)

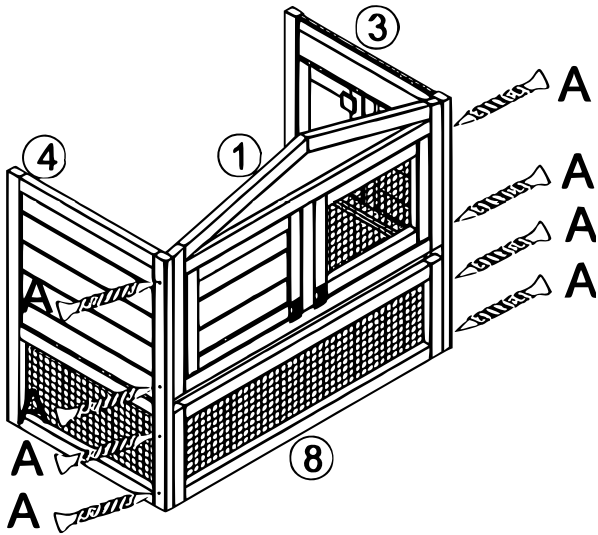

E 3.0×14 (20)


(8)

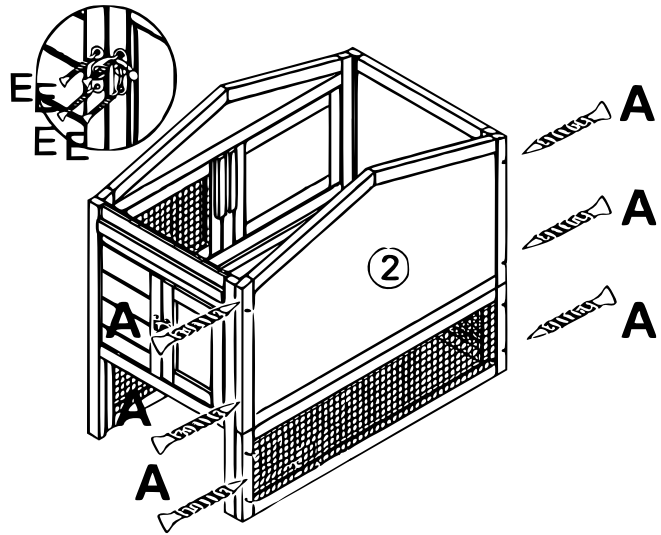

(5)


R

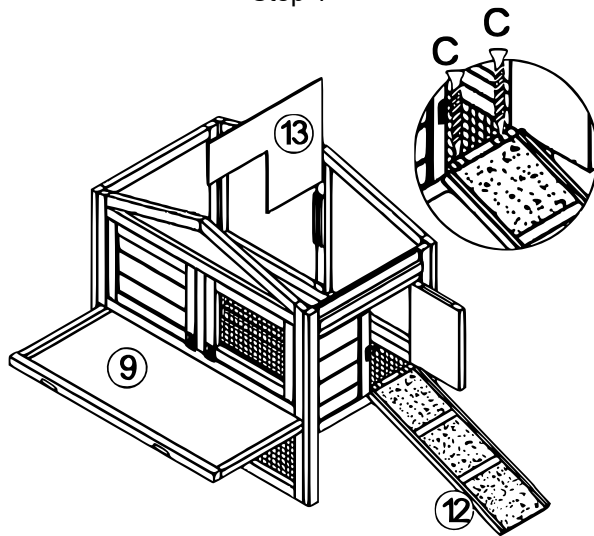

L



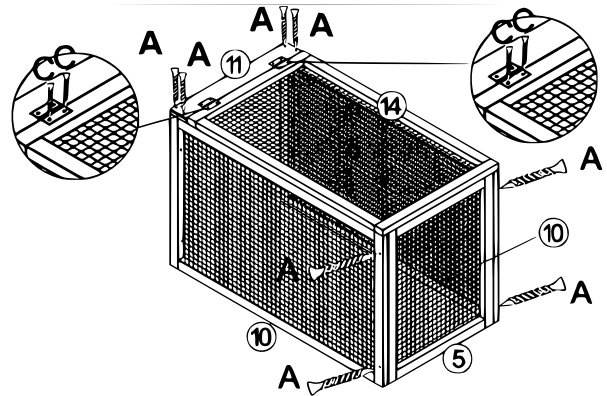
Step 1



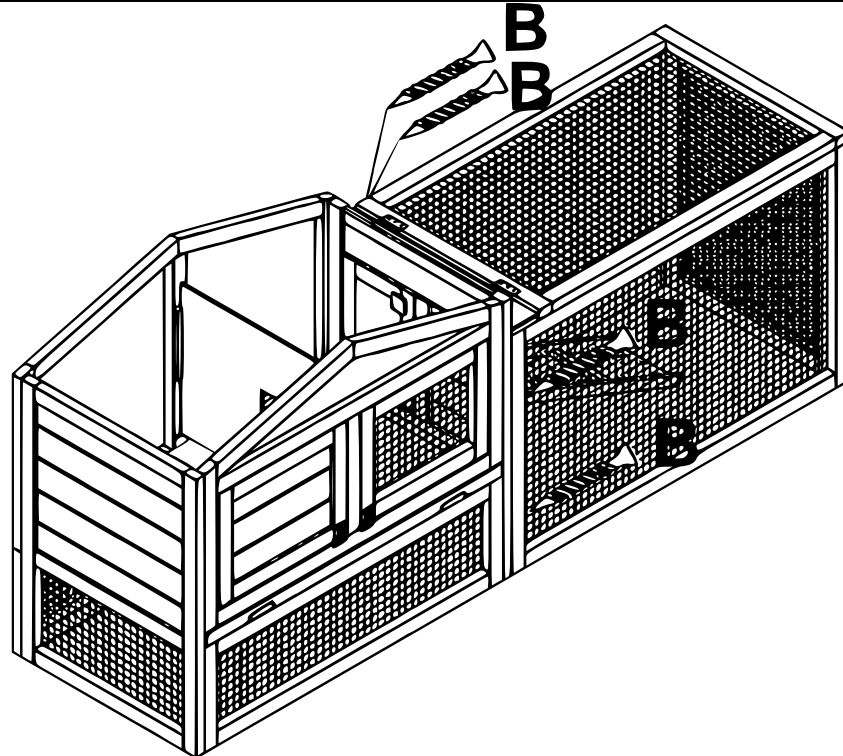
Step 2



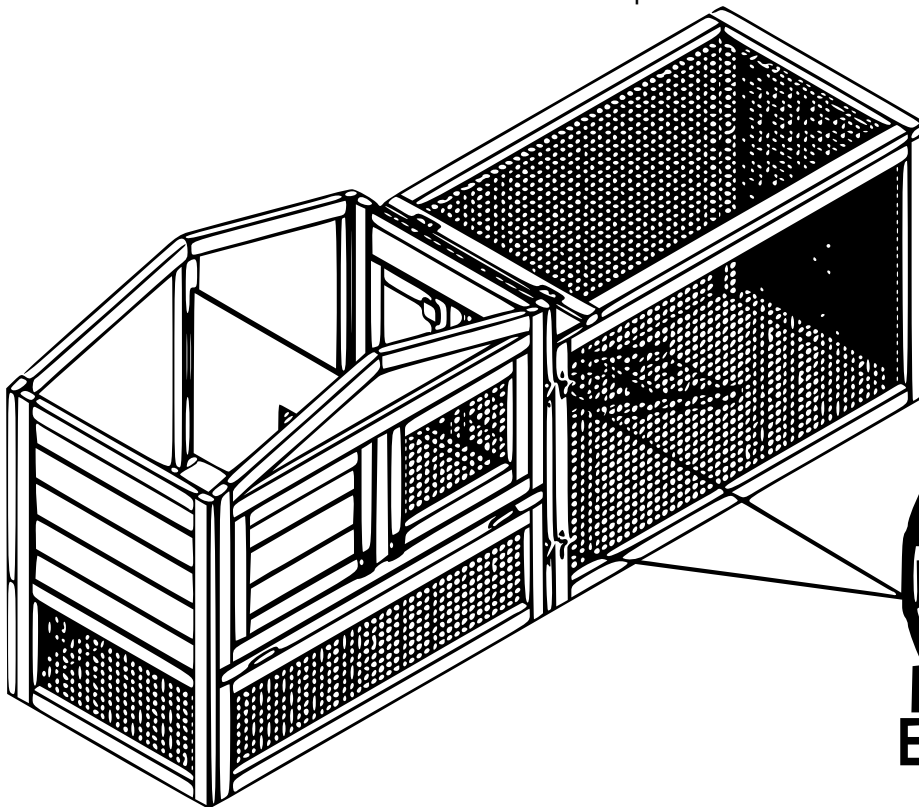
Step 3



Step 4

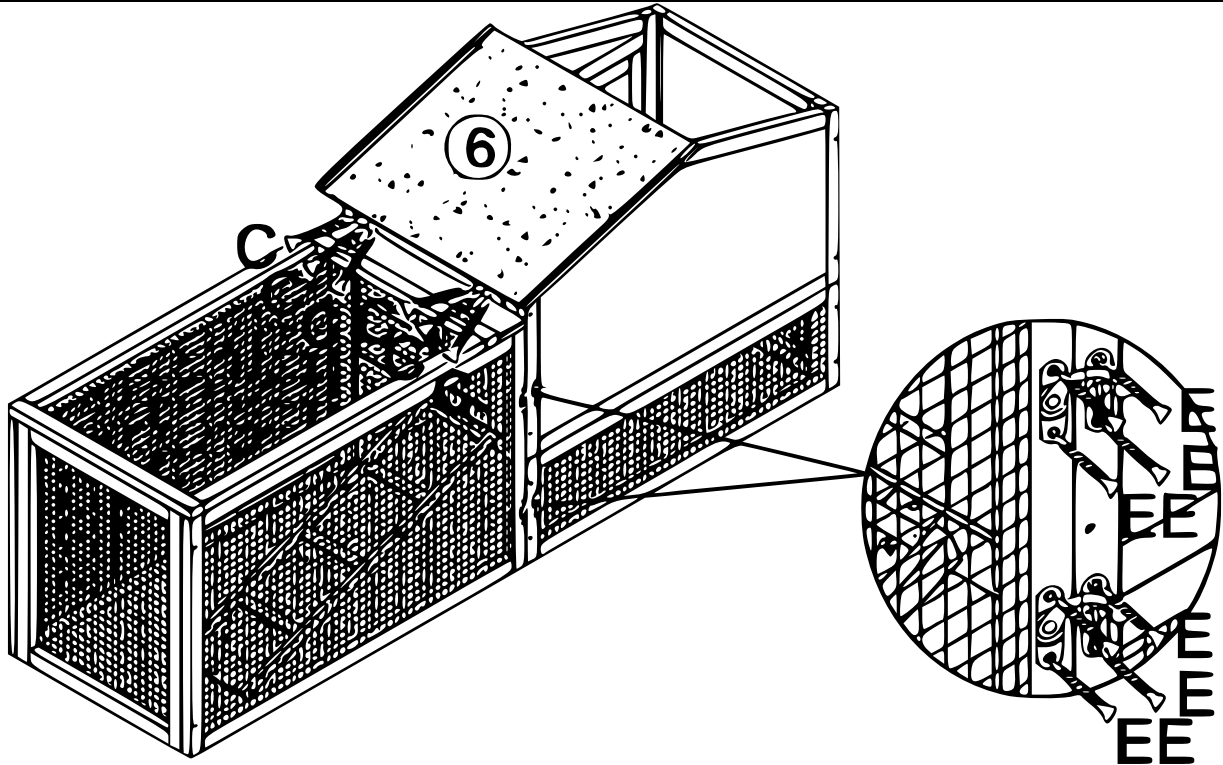


Step 5

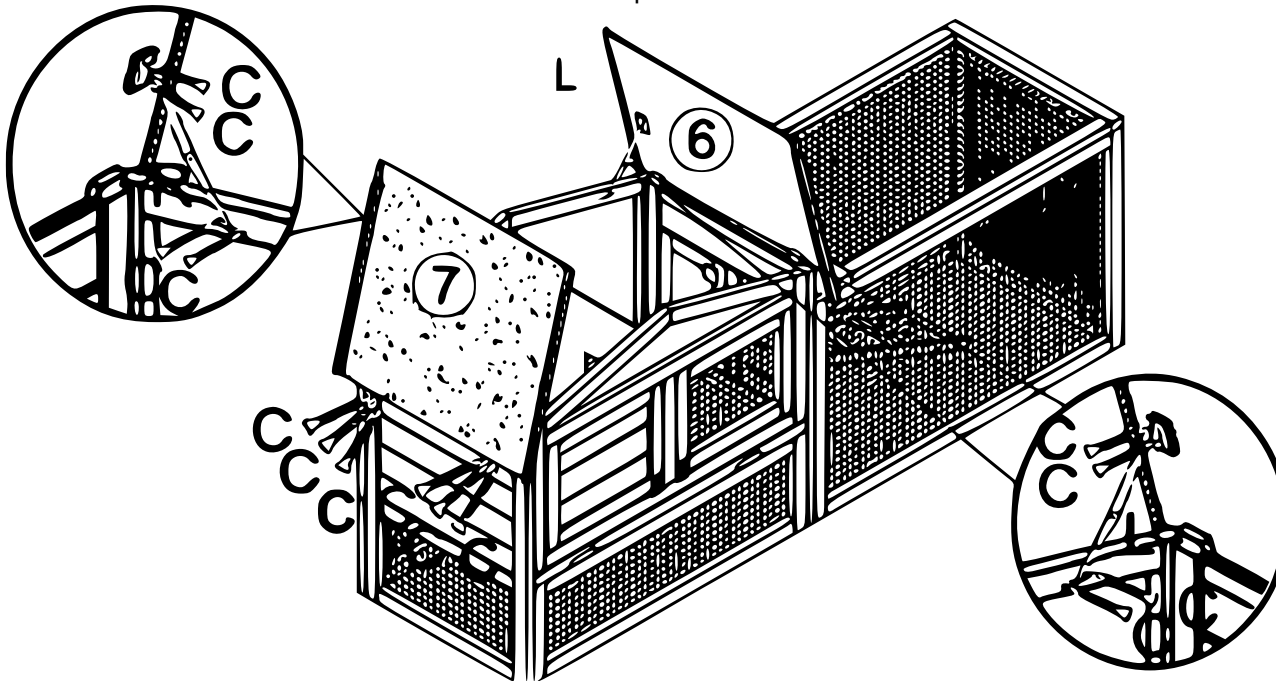


Step 6

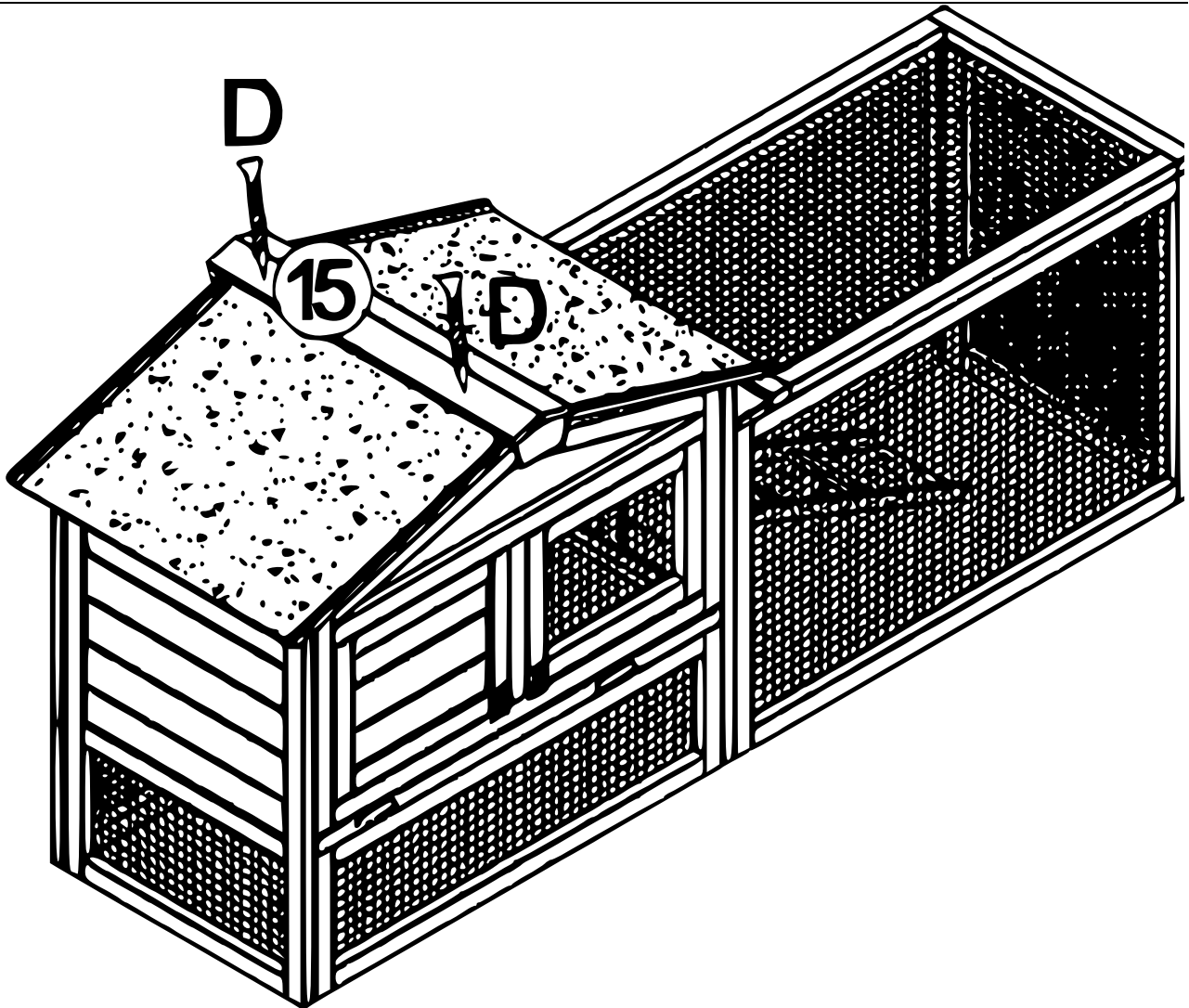
ASSEMBLY 51070



Step 7



Step 8



Step 9

Important notice:

The reprint or reproduction, even of excerpts, and any commercial use, even in part, of this instruction manual require the written permission of WilTec Wildanger Technik GmbH.