

# Operation Manual

## Skimmer CSP-40

51191



Illustration similar, may vary depending on model

Read and follow the operating instructions and safety information before using for the first time.

Technical changes reserved!

Due to further developments, illustrations, functioning steps, and technical data can differ insignificantly.

Updating the documentation

If you have suggestions for improvement or have found any irregularities, please contact us.



The information contained in this document may alter at any time without previous notice. It is prohibited to copy or spread any parts of this document in any way without prior written allowance. All rights reserved.

The WilTec Wildanger Technik GmbH cannot be held accountable for any possible mistakes in this operating manual, nor in the diagrams and figures shown.

Even though, the WilTec Wildanger Technik GmbH has undergone biggest possible efforts to ensure that the operating manual is complete, faultless, and up to date, mistakes cannot be entirely avoided.

If you should find a mistake or wish to make a suggestion for improvement, we look forward to hearing from you.

Send an e-mail to:

[service@wiltec.info](mailto:service@wiltec.info)

or use our contact form:

<https://www.wiltec.de/contacts/>

The most recent version of this manual in various languages can be found in our online shop via:

<https://www.wiltec.de/docsearch>

Our postal address is:

WilTec Wildanger Technik GmbH  
Königsbenden 12  
52249 Eschweiler  
Germany

To return orders for exchange, repair, or other purposes, please use the following address. Attention! To allow for a smooth execution of your complaint or return, it is important to contact our customer service team before returning the goods.

Returns Department  
WilTec Wildanger Technik GmbH  
Königsbenden 28  
52249 Eschweiler

E-mail: **service@wiltec.info**

Tel: +49 2403 55592-0

Fax: +49 2403 55592-15



## Introduction

Thank you for purchasing this quality product. **To minimise the risk of injury we urge that our clients take some basic safety precautions when using this device. Please read the operation instructions carefully and make sure you have understood its content.**

Keep these operation instructions safe.

## Safety instructions

### **ATTENTION:**

The device is not intended for use by persons (including children) with impaired or limited physical, sensory, and mental abilities or lack of experience and/or real knowledge, unless they are supervised by a person responsible for their safety or you follow the instructions made by this person how to use the device correctly. Children should be supervised to make sure they do not play with the device

### **ATTENTION:**

- Run a visual inspection of the device before every use. Do not use the device if the safety installations are damaged or worn out. Never override safety regulations.
- Use the device exclusively according to the intended purpose stated in the instructions for use.
- You are responsible for the safety of the working environment.
- The device cannot be installed in the drinking water circuit.
- Apply/mount the hoses and hose clamps.

### **WARNING:**

**Carefully read all the safety guidelines and the instructions.** Keep the instructions and the safety guidelines in a safe place in case you need them in the future.

## Wear resistance

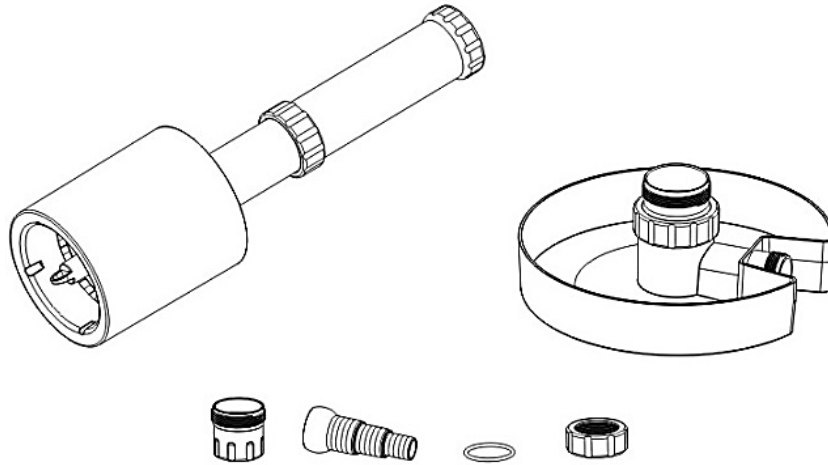
- The temperature of the liquid pumped should not exceed +35 °C in permanent operation.
- The filter is exclusively designed and intended for filtering garden ponds.
- The filter is not suitable for filtering water whose temperature exceeds 40 °C or falls below 8 °C.
- The filter is **not** frost-resistant! Therefore, it is recommended not to use the filter in winter!

## Technical specifications

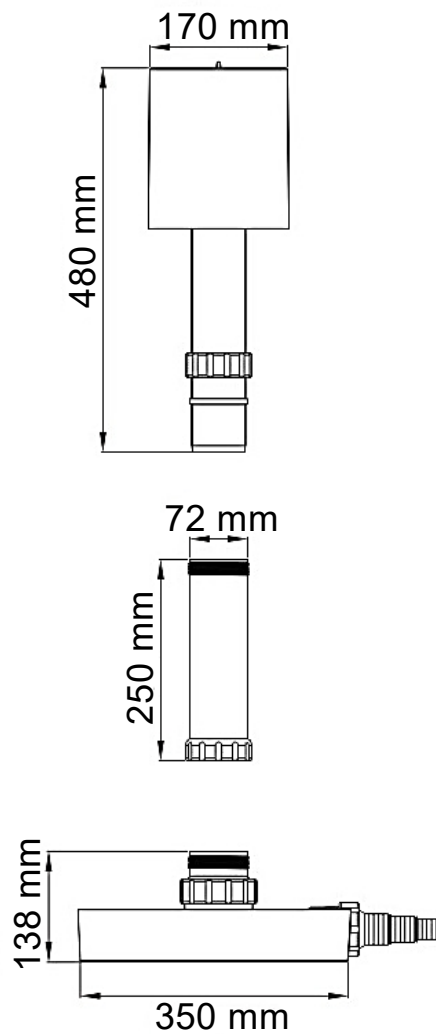
<b>Max. pond surface</b> (m <sup>2</sup> )	40
<b>Max. pond volume</b> (ℓ)	100,000
<b>Recommended flow rate</b> (ℓ/h)	8,000–16,000
<b>Height adjustability</b> (mm)	650–850
<b>Max. water level tolerance</b> (mm)	100

**Drawings concerning use**

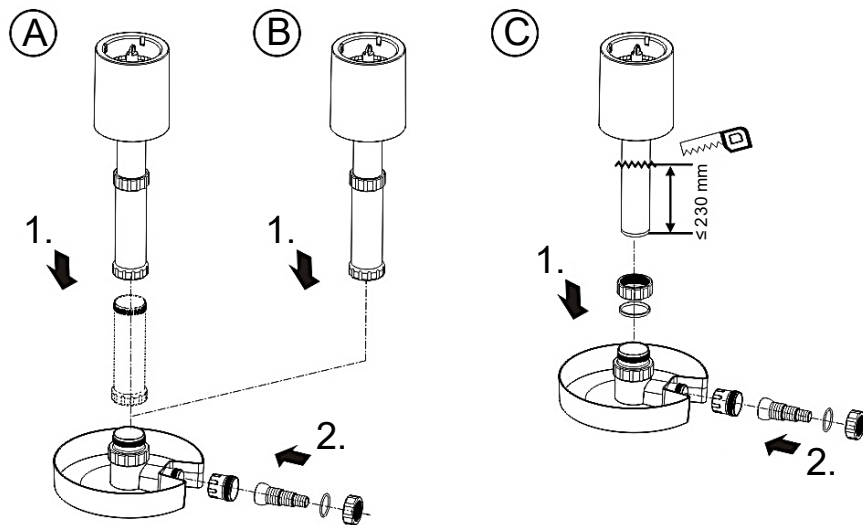
*Opening*



*Size*

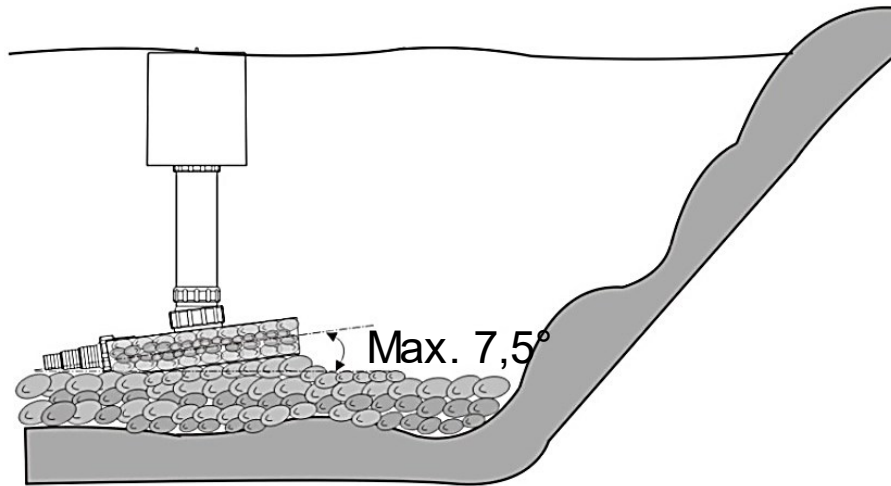


Assembling

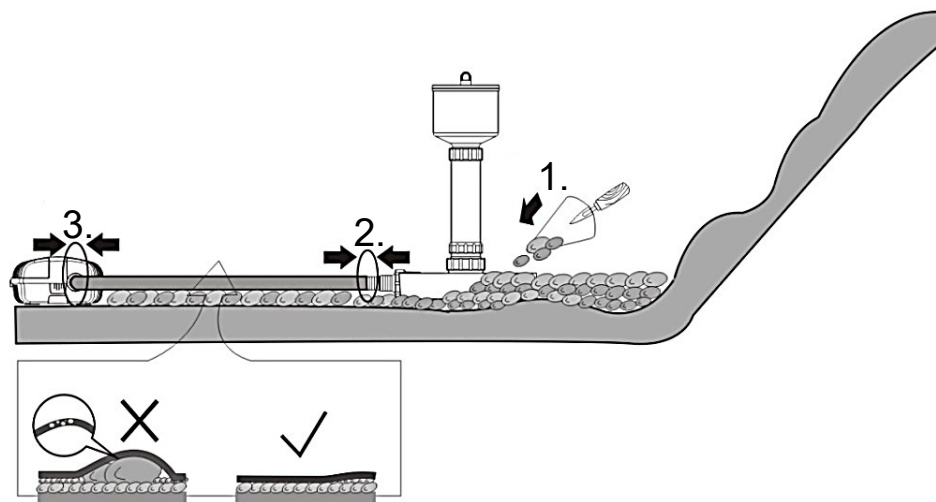


51191				
		Ⓐ	Ⓑ	Ⓒ
		Min. 775 mm Max. 1050 mm	Min. 550 mm Max. 830 mm	Min. 320 mm Max. 590 mm
Flow rate ( $\frac{1}{h}$ )	8000-16.000			
Pond surface (m <sup>2</sup> )	40			

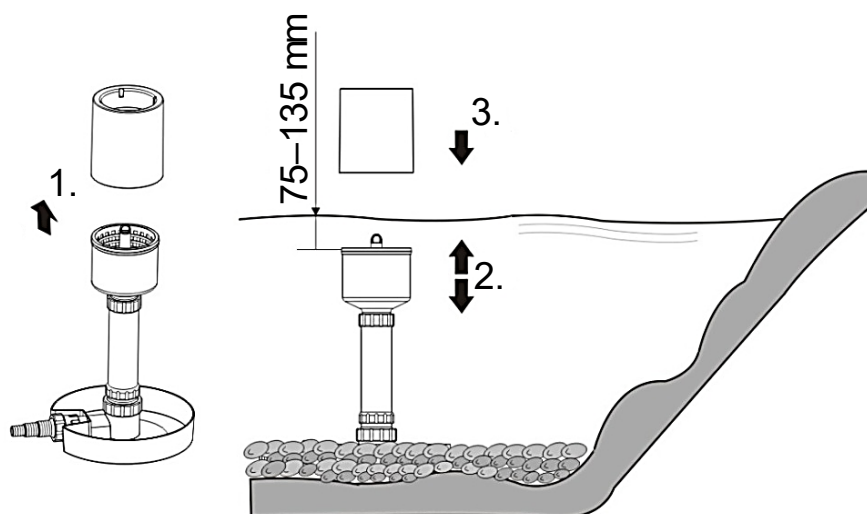
Rotation angle



Placing

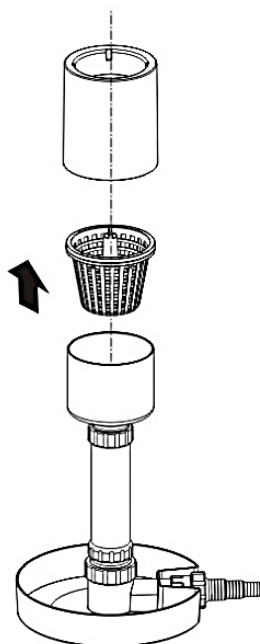


Adjustable height



## Cleaning

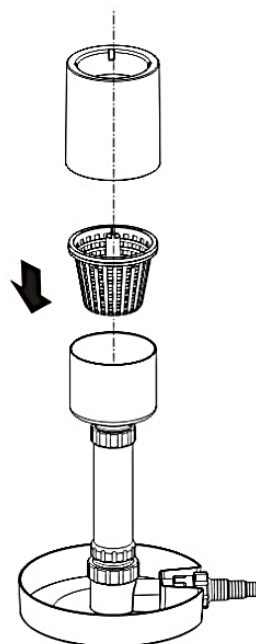
1.



2.

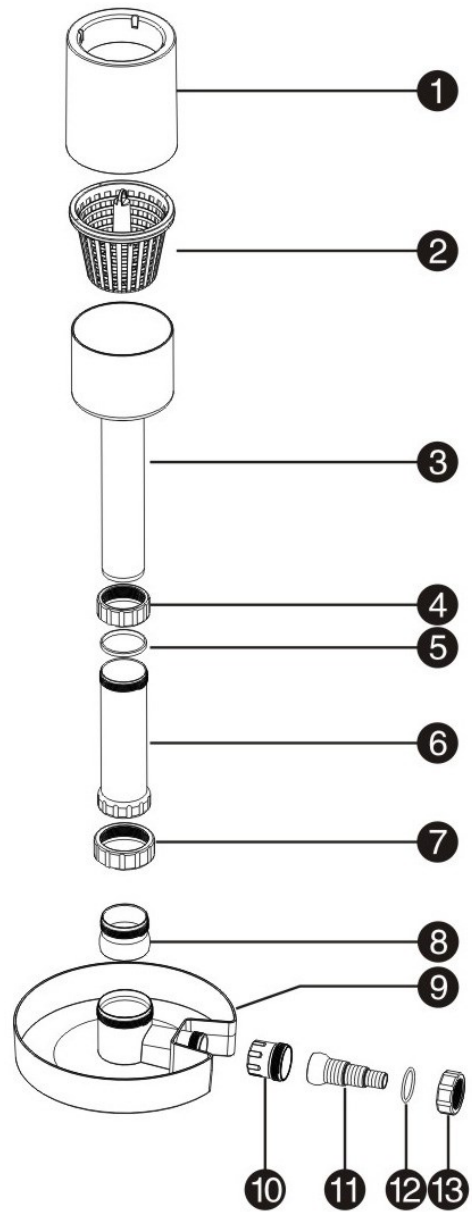


3.



### Parts list and exploded view

No.	Name
1	Big buoy
2	Filter basket
3	Filter cartridge
4	Nut 1
5	Fixing rubber
6	Expansion pipe
7	Cardan joint
8	Nut 2
9	Bottom
10	Flange
11	Outlet
12	Outlet gasket
13	Fixing Nut



#### Important notice:

The reprint or reproduction, even of excerpts, and any commercial use, even in part, of this instruction manual require the written permission of WilTec Wildanger Technik GmbH.