

Operation Manual

Fruit Mill

51275, 51479, 51475

toboli



Illustration similar, may vary depending on model

Read and follow the operating instructions and safety information before using for the first time.

Technical changes reserved!

Due to further developments, illustrations, functioning steps, and technical data can differ insignificantly.

Updating the documentation

If you have suggestions for improvement or have found any irregularities, please contact us.



The information contained in this document may alter at any time without previous notice. It is prohibited to copy or spread any parts of this document in any way without prior written allowance. All rights reserved.

The WilTec Wildanger Technik GmbH cannot be held accountable for any possible mistakes in this operating manual, nor in the diagrams and figures shown.

Even though, the WilTec Wildanger Technik GmbH has undergone biggest possible efforts to ensure that the operating manual is complete, faultless, and up to date, mistakes cannot be entirely avoided.

If you should find a mistake or wish to make a suggestion for improvement, we look forward to hearing from you.

Send an e-mail to:

service@wiltec.info

or use our contact form:

<https://www.wiltec.de/contacts/>

The most recent version of this manual in various languages can be found in our online shop via:

<https://www.wiltec.de/docsearch>

Our postal address is:

WilTec Wildanger Technik GmbH
Königsbenden 12
52249 Eschweiler
Germany

To return orders for exchange, repair, or other purposes, please use the following address. Attention! To allow for a smooth execution of your complaint or return, it is important to contact our customer service team before returning the goods.

Returns Department
WilTec Wildanger Technik GmbH
Königsbenden 28
52249 Eschweiler

E-mail: **service@wiltec.info**

Tel: +49 2403 55592-0

Fax: +49 2403 55592-15



Introduction

Thank you for purchasing this quality product. **To minimise the risk of injury we urge that our clients take some basic safety precautions when using this device. Please read the operation instructions carefully and make sure you have understood its content.**

Keep these operation instructions safe.

Description of the product and application

- A good fruit mash is a prerequisite for producing juice, zest, or must. The mill can be used for grinding berries, grapes, apples, pears, and potatoes, or similar soft fruits/vegetables. Hard fruits and vegetables such as sugar beet, carrots, or unripe or hard stone fruits are not suitable for being processed with this mill.
- Apples, pears, quince, and similar fruits are especially suitable for this crusher. The relatively solid pulp is crushed by the mill; the resulting mash increases the juice output and enables a pressing of the fruit.
- Grapes, raspberries, currants, and similar fruits should not be crushed – as stone fruits. This is usually not necessary because the flesh is very soft and only surrounded by a skin. During crushing, the seeds contained in these fruits set free bitter substances that would embrown the juice.
- The juice quality will only be good if healthy and ripe fruits are processed. Unripe, overripe, rotten, and cracked fruits should be discarded. Fruits with rotten or moulded spots may not be processed. This does not include fresh pressure marks on windfalls as long as no decay has occurred yet. Thoroughly clean the fruits with drinking water before processing them so that no dirt enters the mash.

Safety instructions

- The fruit mill must not be operated by children. Make sure that neither adult nor young persons are in the danger zone while you operate the crusher.
- Make sure that you never get your hands or loose clothing in rotating parts. **Risk of injury!**
- The fruit mill must be securely fastened so that it cannot slip or tip over during operation.
- The hopper must absolutely be fixed.
- Only use a suitable pestle to cram, loosen, and strip the material.
- Use a suitable protective cover.
- Never reach under the protective cover during the grinding process.

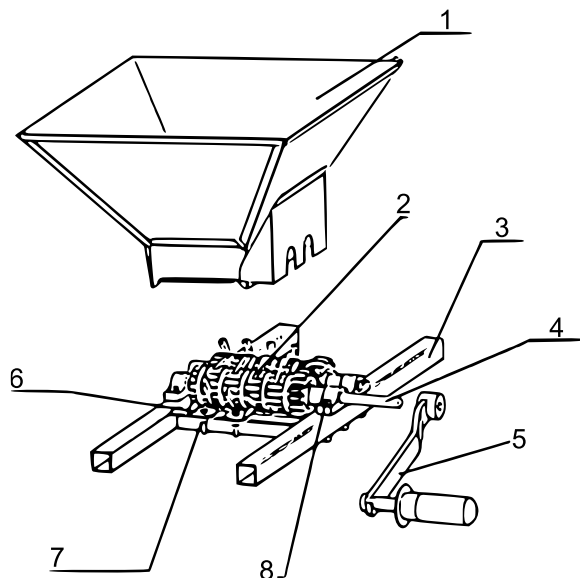
Commissioning

1. Mount the drive wheel of the fruit mill.
2. Place the mill on a suitable container and make sure that it is held securely.
3. Check the direction of rotation of the drive wheel before adding fruit.
4. Fill the fruit into the hopper.

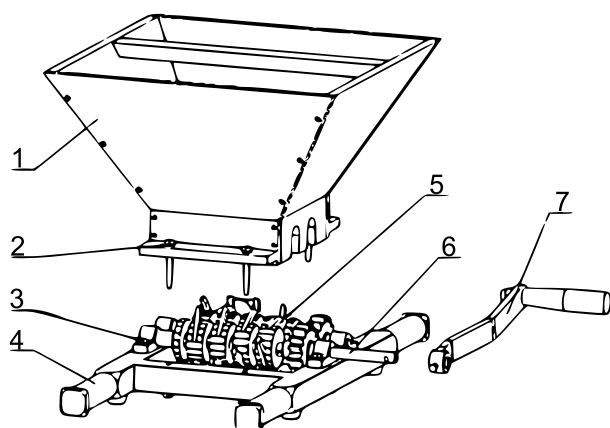
Cleaning and care

After finishing the work or before taking a longer break, thoroughly clean the mill with running water and a suitable brush. Nevertheless, cleaning with pressurized water, e.g., hose, is more effective. Thoroughly clean the spaces between the grinding rollers. Bearings and surfaces should be lubricated regularly with food oil, especially after a long period of use.

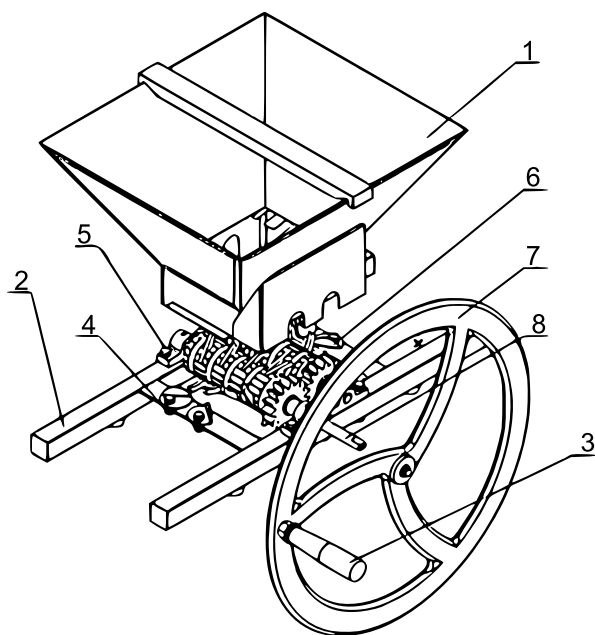
Explosion views and parts lists



No	Item No	Name
1	51275-01	Hopper
2	51275-02	Transmission shaft
3		Base frame
4	51275-04	Connecting tube
5	51275-05	Handle
6	51275-06	Fixing angle
7		Set of screws M5x4
8		Set of screws M6x6



No	Name
1	Hopper
2	Set of screws St2,9x4
3	Set of screws M6x6
4	Base frame
5	Transmission shaft
6	Connecting tube
7	Handle



No	Name
1	Hopper
2	Base frame
3	Handle
4	Set of screws M6x4
5	Set of screws M6x6
6	Transmission shaft
7	Driving crank
8	Connecting tube

Important notice: The reprint or reproduction, even of excerpts, and any commercial use, even in part, of this instruction manual require the written permission of WilTec Wildanger Technik GmbH.