

Operation Manual

Car Jack

51296, 63237

wiltec



Illustration similar, may vary depending on model

Read and follow the operating instructions and safety information before using for the first time.

Technical changes reserved!

Due to further developments, illustrations, functioning steps, and technical data can differ insignificantly.

Updating the documentation

If you have suggestions for improvement or have found any irregularities, please contact us.



The information contained in this document may alter at any time without previous notice. It is prohibited to copy or spread any parts of this document in any way without prior written allowance. All rights reserved.

The WilTec Wildanger Technik GmbH cannot be held accountable for any possible mistakes in this operating manual, nor in the diagrams and figures shown.

Even though, the WilTec Wildanger Technik GmbH has undergone biggest possible efforts to ensure that the operating manual is complete, faultless, and up to date, mistakes cannot be entirely avoided.

If you should find a mistake or wish to make a suggestion for improvement, we look forward to hearing from you.

Send an e-mail to:

service@wiltec.info

or use our contact form:

<https://www.wiltec.de/contacts/>

The most recent version of this manual in various languages can be found in our online shop via:

<https://www.wiltec.de/docsearch>

Our postal address is:

WilTec Wildanger Technik GmbH
Königsbenden 12
52249 Eschweiler
Germany

To return orders for exchange, repair, or other purposes, please use the following address. Attention! To allow for a smooth execution of your complaint or return, it is important to contact our customer service team before returning the goods.

Returns Department
WilTec Wildanger Technik GmbH
Königsbenden 28
52249 Eschweiler

E-mail: **service@wiltec.info**

Tel: +49 2403 55592-0

Fax: +49 2403 55592-15



Introduction

Thank you for purchasing this quality product. **To minimise the risk of injury we urge that our clients take some basic safety precautions when using this device. Please read the operation instructions carefully and make sure you have understood its content.**

Keep these operation instructions safe.

Safety instructions/warnings



- The owner and/or user must have read and understood the instructions for use of the appliance before using it. Instructed personnel should be careful, competent, trained, and qualified in the safe handling of the equipment used. Warnings should be read and understood.
- Be familiar with the application control, the procedure, and warnings.
- Before use, check the jack for damage, loose, or missing parts or damage.
- Make sure to be familiar with the contents of instructions for use.
- This device is not intended for use or maintenance by persons (or children) with reduced physical, sensory, or mental capabilities, or by persons without appropriate experience or knowledge, unless they are supervised by a person responsible for their safety or have received prior instruction in the use of this device.
- Children must be supervised so that one can be sure that they do not play with the appliance.
- Make sure that the load is free, that there are no obstructions to the lifting, and that the load cannot slip.
- Make sure that no one gets near the load and warn present persons of the load lifted.
- Immediately report to your supervisor or workshop as soon as anything unexpected happens.
- Never lift more load than the maximum allowed.
- Never use damaged, non-functioning jacks, or bent, damaged, or worn load handling attachments.
- Never lift the load if an obstacle could interfere with the lifting.
- Concentrate on what you are doing and do not allow distractions during the process.
- Never use the lifting device to lift, help, or transport persons.
- **NEVER LIFT CHARGES OVER PERSONS' HEADS!** Unsecured loads can lead to injuries to limbs or bones and even fatal ones. Consequently, do not let the lifted load out of your sight.
- Avoid contact between the jack and other objects.
- Never attempt to extend or repair the load suspension.
- Do not use welding equipment near the jack.
- Always ensure that the workplace is optimally lit.
- Be sure to wear sturdy shoes, use a hair net for long hair, wear tight-fitting clothing, remove jewellery (rings, earrings, watches, etc.), and be careful not to wear loose straps or belts.
- Only use the jack if you feel physically able to do so.
- Working for long periods in a standing position can lead to dizziness. Take regular breaks and drink enough.
- Do not overload the lift.
- Only use the jack on an even and firm surface that can carry the specified loads.
- Store packaging parts (foils, plastic bags, polystyrene, etc.) only in places that are not accessible to children, especially infants, as packaging parts often conceal unrecognisable dangers. (e.g., danger of suffocation)

Technical data

	51296	63237
Max. charge capacity (kg)	3000	
Length (cm)	152.4 (60")	101.6 (40")
Min. lifting height (cm)	15.5	15.3
Max. lifting height (cm)	135	122

Control/inspection

- Before the jack is put into service, a visual inspection needs to be carried out to detect damage, loose, or missing parts and worn parts.
- Each jack must be inspected immediately if it has been overloaded or subjected to a strong impact. The inspection should be carried out by a specialist. Annual inspection is recommended. Defective parts must be replaced immediately. If this is not possible, the jack must not be put back into operation.
- Regularly apply lubricants to all moving parts. Check the jack regularly for rust, cracks, and corrosion. Clean the affected areas with an oily cloth.

Operating instructions

Lifting a load

1. Follow the safety instructions and place the jack next to the load.
2. Move the backstop **(17)** to the "UP" position.
3. Make sure that the lever is in the correct position and is held by the safety strap (see following figure).
4. Actuate the lift until the support touches the load.
5. At this point, check that there are no obstacles in the lifting direction.



Fig. 1: to lift a load Fig. 2: to lower a load

6. Operate the lever carefully and evenly. Ensure a steady and slow speed when lifting the load. When the lever is fully depressed, you will hear a click indicating that the bolt is engaged. Return the lever to its original position to continue lifting the load by pressing it down again.

Important! Do not use an extension for the lever!
Make sure that the lever is always held securely
so that the load does not sink uncontrollably.

Lowering a load

1. The jack must be loaded with at least 50 kg of weight to ensure an even lowering. If the weight is too low, uncontrolled lowering may occur.
2. Before lowering a load, obey all safety precautions.
3. Follow the safety precautions before lowering a weight. Set the backstop **(17)** to the "Down" position. Make sure that the lever is in the correct position and is not blocked by the tab (see following figure)

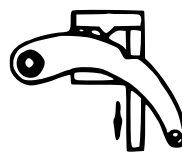
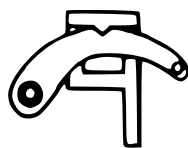
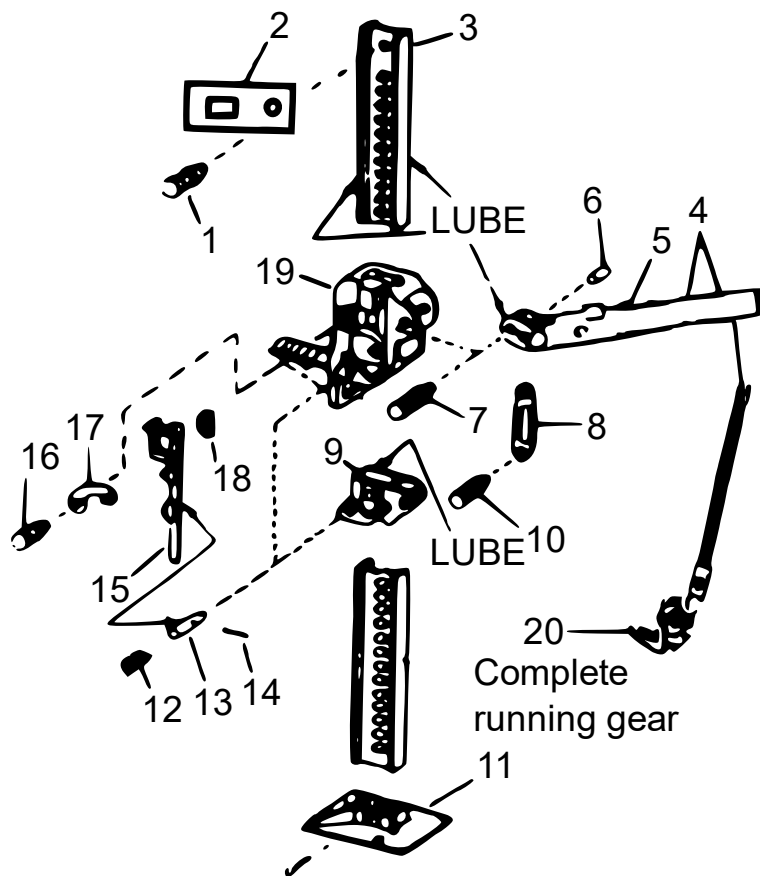


Fig. 1: to lift a load Fig. 2: to lower a load

- Operate the lever evenly and carefully lower the load.

Parts list and explosion view

Nº	Name
1	Bolt
2	Bracket
3	Steel guide
4	Lever with pin
5	Handle base
6	Pin/bolt
7	Hexagon bolt
8	Connecting rod
9	Screw bolt
10	Small bolt
11	Stand
12	Pin spring (2×)
13	Pin (2×)
14	Holding pin (2×)
15	Fuse holder
16	Cap screw
17	Back rotation lock
18	Spring backstop
19	Running unit
20	Mounted running unit



Important notice:

The reprint or reproduction, even of excerpts, and any commercial use, even in part, of this instruction manual require the written permission of WilTec Wildanger Technik GmbH.