

User's manual

Motorcycle Dolly 51367



Illustration similar, may vary depending on model

Please read and follow the operating instructions and safety information prior to initial operation.

Technical changes reserved!

Illustrations, functional steps, and technical data may deviate insignificantly due to continuous further developments.



The information contained in this document may alter at any time without prior notice. No part of this document may be copied or otherwise duplicated without prior written consent. All rights reserved. WilTec Wildanger Technik GmbH cannot be held liable for any possible mistakes in this operating manual, nor in the diagrams and illustrations shown.

Although WilTec Wildanger Technik GmbH has made every possible effort to ensure that this operating manual is complete, accurate, and up-to-date, errors cannot be ruled out entirely.

If you have found an error or wish to suggest an improvement, we look forward to hearing from you.

Send us an e-mail to:

service@wiltec.info

or use our contact form:

<https://www.wiltec.de/contacts/>

The most recent version of this manual in several languages can be found in our online shop:

<https://www.wiltec.de/docsearch>

Our postal address is:

WilTec Wildanger Technik GmbH
Königsbenden 12
52249 Eschweiler Germany

To return your goods for exchange, repair, or other purposes, please use the following address. Attention! To allow for a trouble-free complaint or return, it is important to contact our customer service team before returning your goods.

Retourenabteilung
WilTec Wildanger Technik GmbH
Königsbenden 28
52249 Eschweiler Germany

E-mail: **service@wiltec.info**

Tel: +49 2403 55592-0

Fax: +49 2403 55592-15

Introduction

Thank you for choosing to purchase this quality product. To minimise the risk of injury, we ask you to always take some basic safety precautions when using this product. Please read this operating manual carefully and make sure that you understand it. Keep these operation instructions in a safe place.

Safety instructions

- Before commissioning the device, absolutely read the user's manual completely and train operation before the first use with a motorcycle.
- By no means, try to increase the capacity of the dolly.
- Place the dolly on a level and solid surface.

Assembly

1. First fix the castors.
2. Then fix the wheel upright support to the wheel support.

Use

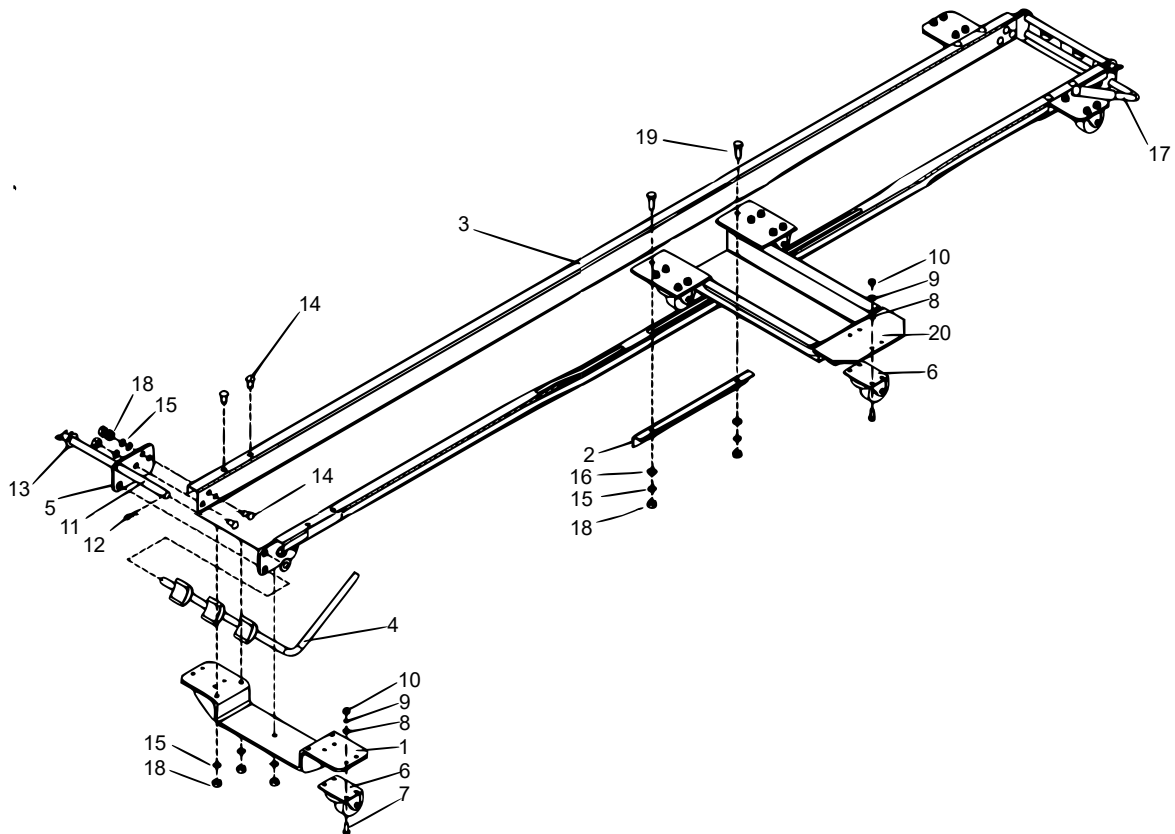
1. After assembly, place the dolly on a level surface and the motorcycle on the dolly by placing the wheels onto the wheel support and the lateral upright on the upright support.
2. Push or pull the handlebar of the motorcycle depending on the direction that you wish to move it.
3. Put the right and left handbrakes on after arriving at the spot where the motorcycle should be parked.



Technical specifications

| | |
|----------------------------------|---------------------|
| Max. charge capacity (kg) | 250 |
| Size (mm) | 2000 × 200 |
| Weight (kg) | 21.88 |
| Material | Powder-coated metal |

Exploded view



| Nº | Name | Qty. | Nº | Name | Qty. |
|----|--------------------|------|----|--------------------|------|
| 1 | Holder | 2 | 11 | Pin | 2 |
| 2 | Reinforcing bar | 1 | 12 | R pin | 4 |
| 3 | Wheel support | 1 | 13 | Washer (ø12) | 4 |
| 4 | Left brake handle | 1 | 14 | Screw (M8×16) | 22 |
| 5 | Attachment plate | 4 | 15 | Spring washer (ø8) | 24 |
| 6 | Castors | 7 | 16 | Washer (ø8) | 2 |
| 7 | Screw (M6×16) | 28 | 17 | Right brake handle | 1 |
| 8 | Washer (ø6) | 28 | 18 | Nut (M8) | 24 |
| 9 | Spring washer (ø6) | 28 | 19 | Screw (M8×25) | 2 |
| 10 | Nut (M6) | 28 | 20 | Upright support | 1 |

Important Note: Reproduction and any commercial use (of parts) of this operating manual, requires a written permission of WilTec Wildanger Technik GmbH.