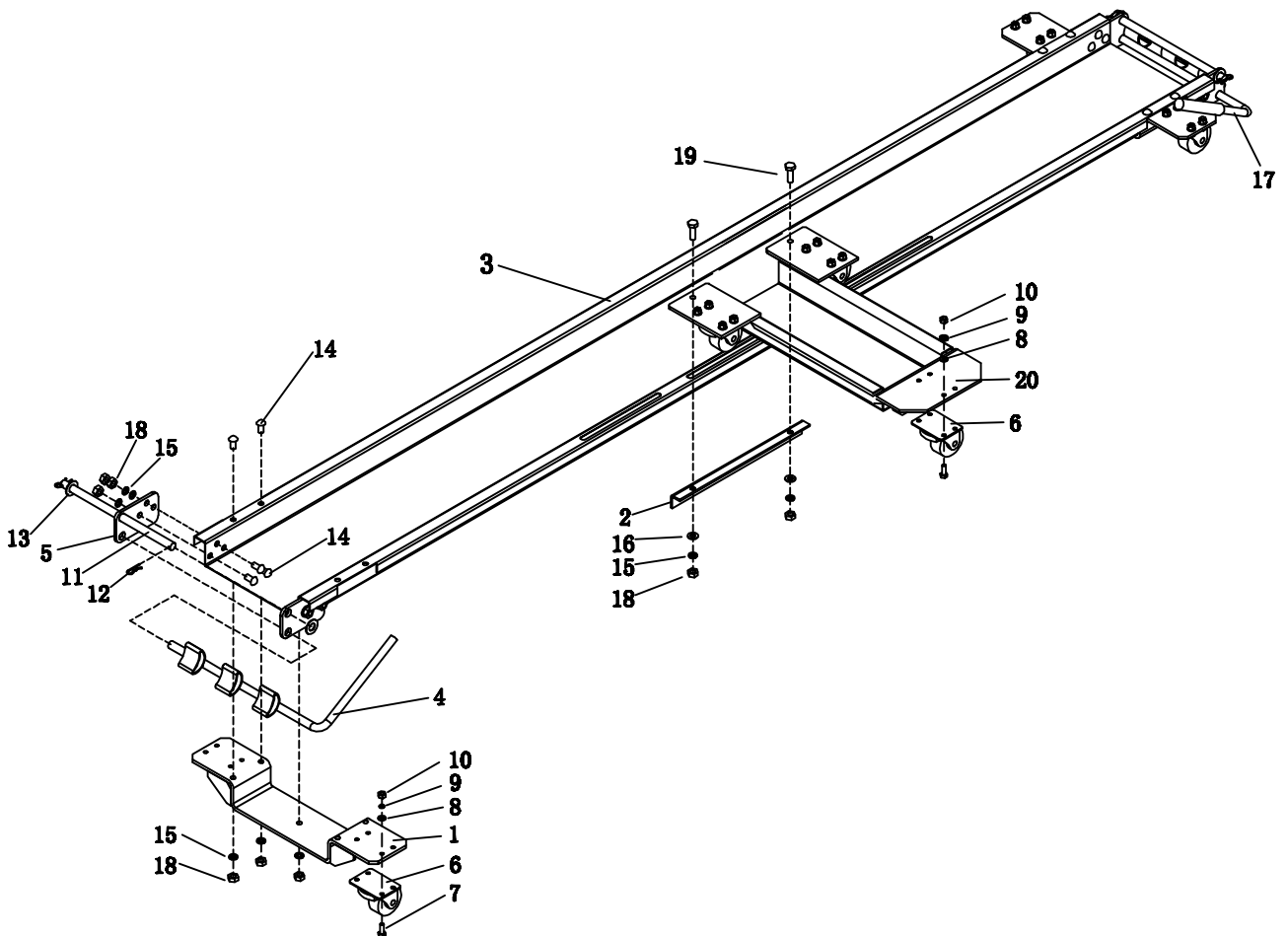


# Motorcycle dolly



PART	DESCRIPTION	QTY
1	carriage	2
2	Reinforcing strip	1
3	Tire groove	1
4	Left brake handle	1
5	briquette	4
6	Wheel	7
7	Bolt M6X16	28
8	Ø6 Washer	28
9	Ø6 Spring Washer	28
10	Nut M6	28

PART	DESCRIPTION	QTY
11	Pin	2
12	"R" Pin	4
13	Ø12 Washer	4
14	Bolt M8X16	22
15	Ø8 Spring Washer	24
16	Ø8 Washer	2
17	Right brake handle	1
18	Nut M8	24
19	Bolt M8X25	2
20	The middle groove	1