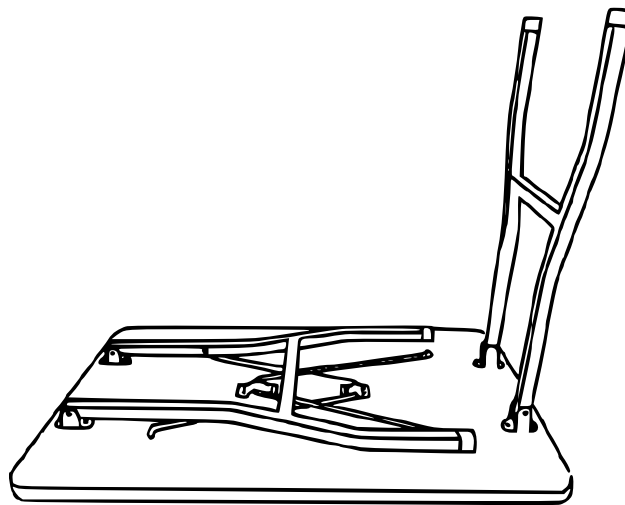


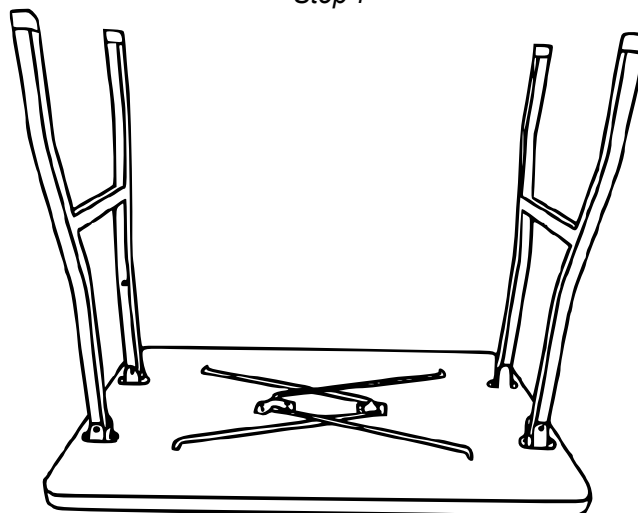


| Letter | Figure | Letter | Figure |
|--------|--------|--------|--------|
| A | | C | |
| B | | D | |



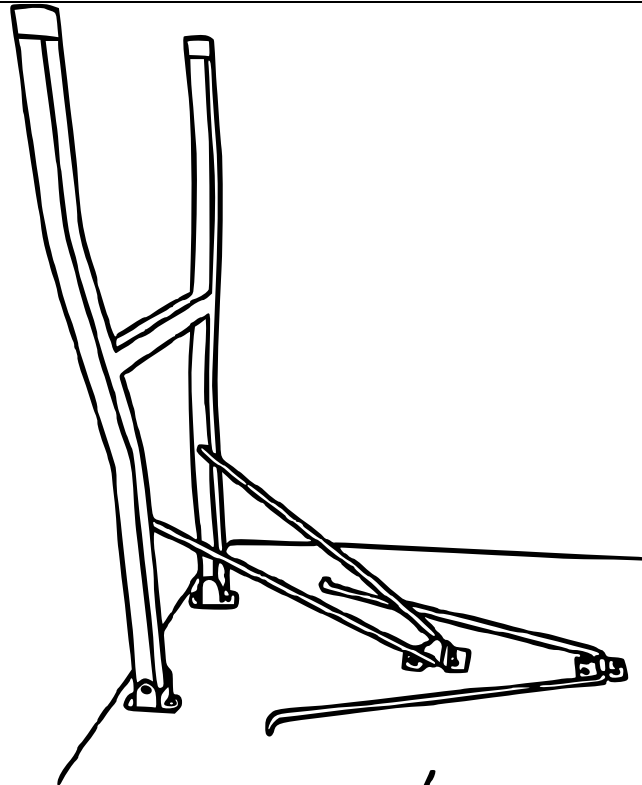
A

Step 1

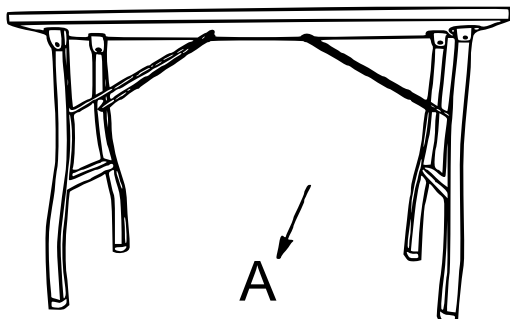
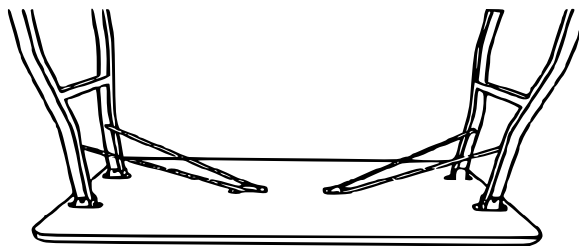


A

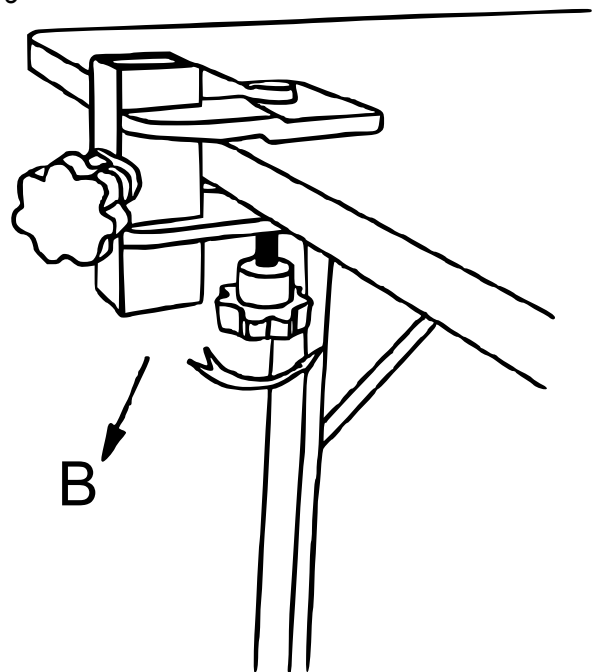
Step 2



A
Step 3

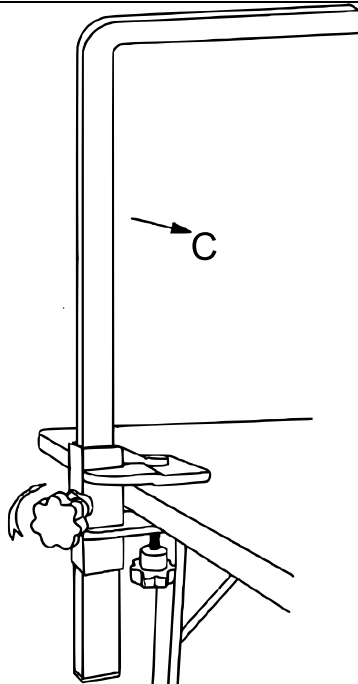


A
Step 4

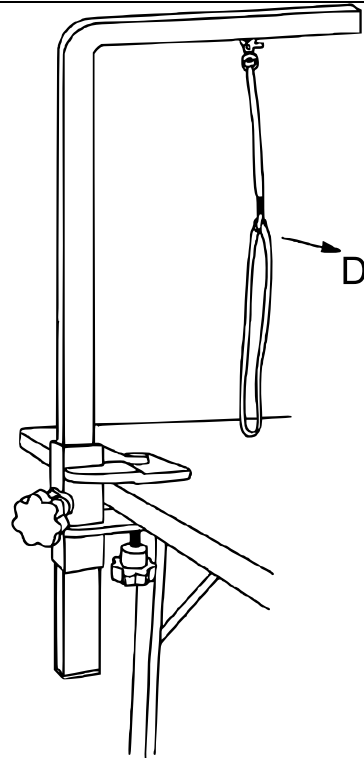


B

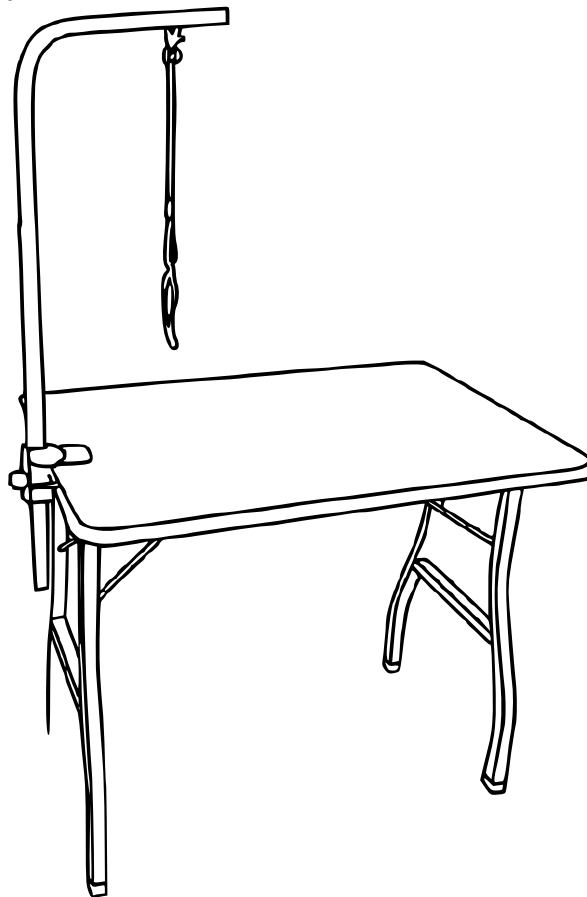
Step 5



Step 6



Step 7



Step 8

Important Note:

Reproduction and any commercial use (of parts) of this operating manual, requires a written permission of WilTec Wildanger Technik GmbH.