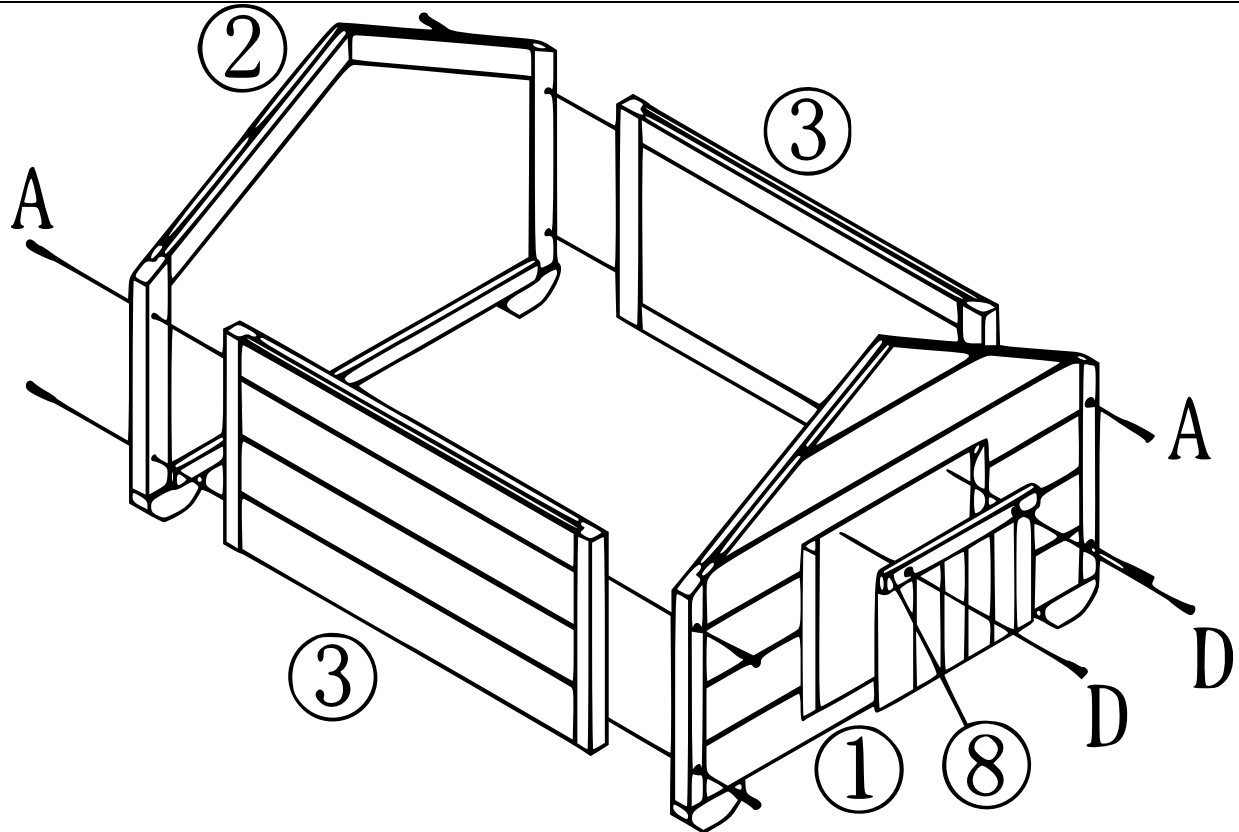


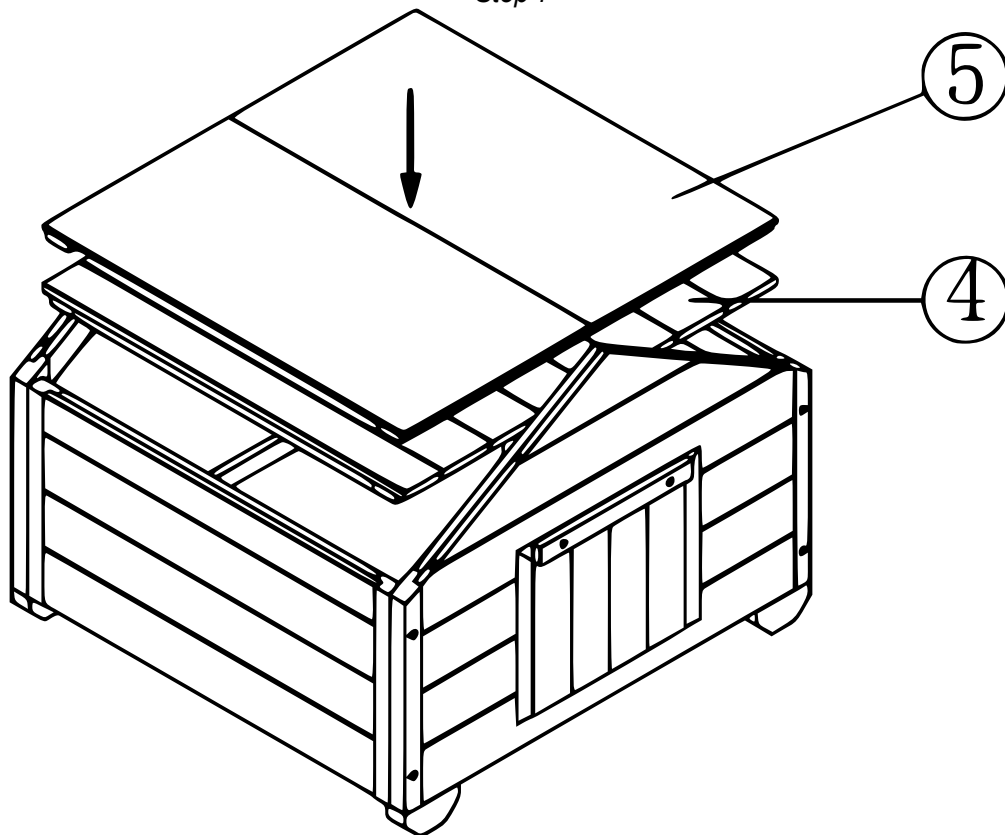


No	Figure	Qty.	No/Letter	Figure	Qty.
1		1	7		1
2		1	8		1
3		2	A		8
4		2	B		8
5		2	C		4
6		5	D		2

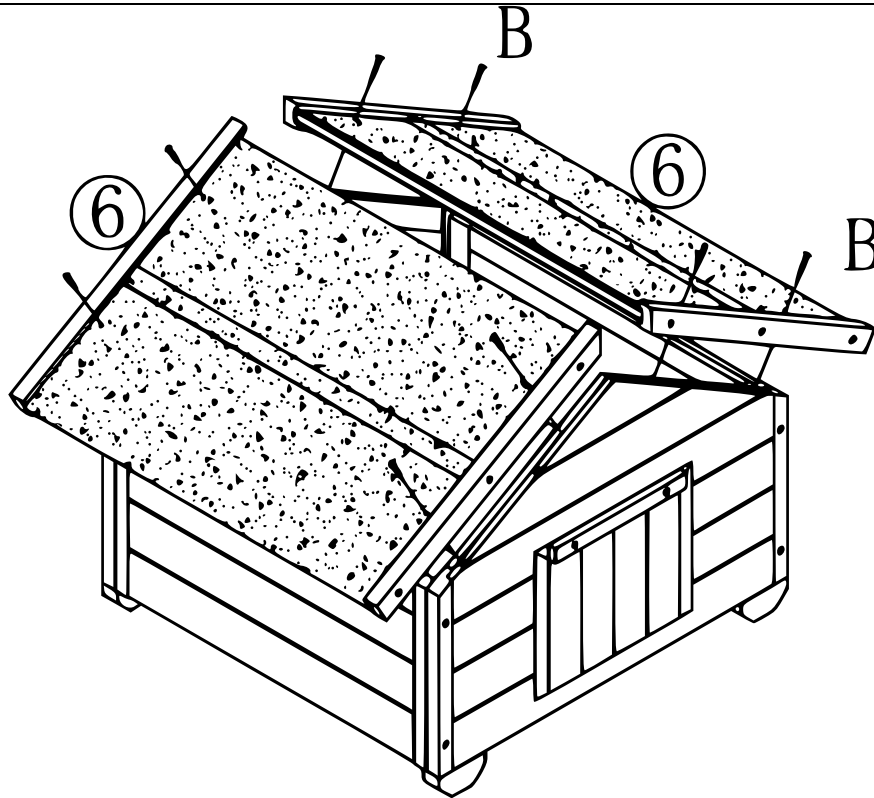


A 3.5x35 mm (8) | D 3x20 mm (2)

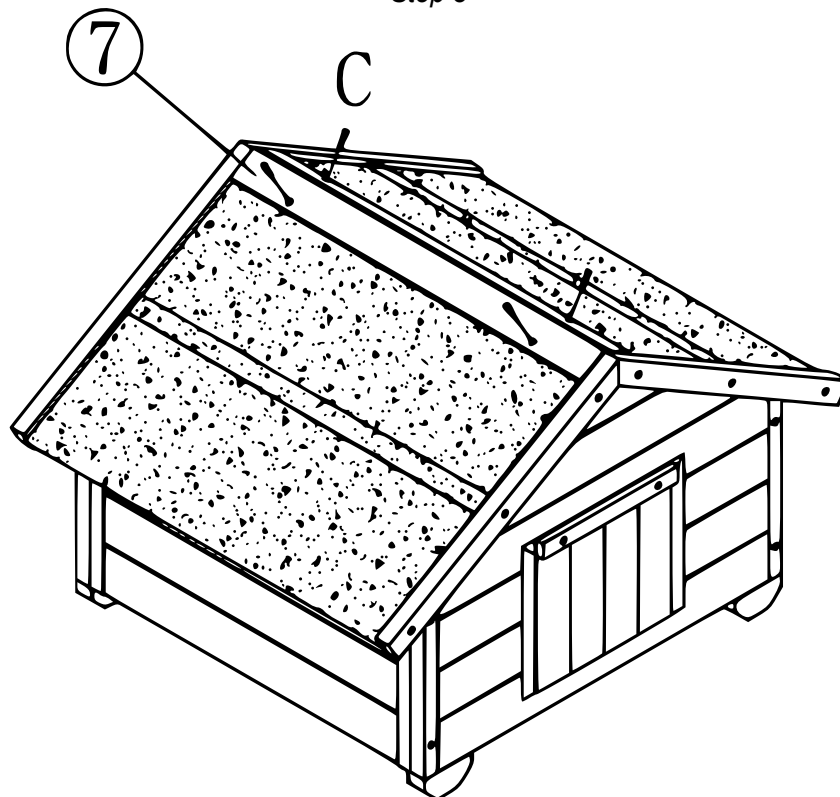
Step 1



Step 2



B 3.5×30 mm (8)
Step 3



C 3.5×25 mm (4)
Step 4

Important notice:

The reprint or reproduction, even of excerpts, and any commercial use, even in part, of this instruction manual require the written permission of WilTec Wildanger Technik GmbH.