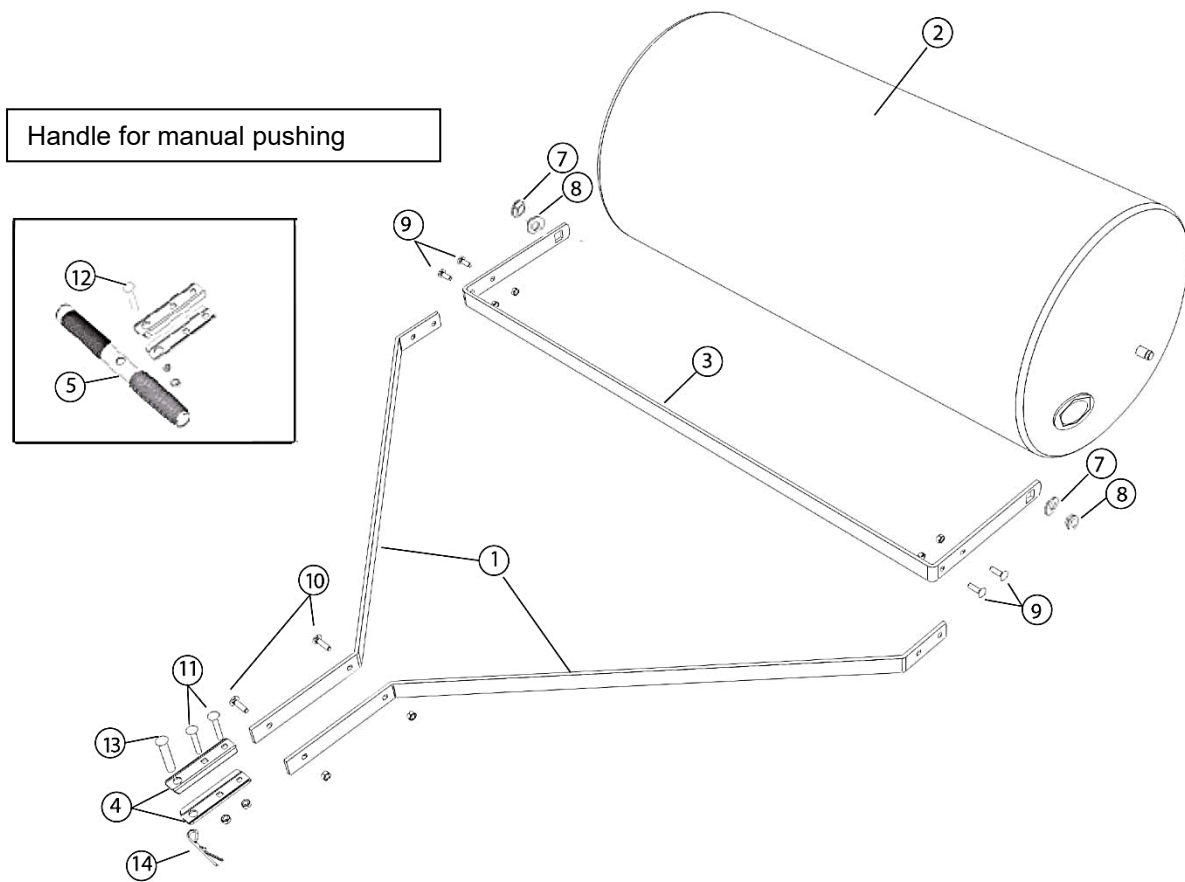


51485 –Lawn roller



Nº	Name	Qty.	Nº	Name	Qty.
1	Frame extension bar	2	8	M12 lock nut	2
2	Roller drum assembly	1	9	Set of bolts 8×25	4
3	Bracket	1	10	Set of bolts 8×35	2
4	Clevis	2	11	Set of bolts 8×50	2
5	Handle with grips	1	12	Bolts 12×50	1
–	–	–	13	Hitch pin	1
7	M12 washer	2	14	Hitch pin cotter	1

Important notice:

The reprint or reproduction, even of excerpts, and any commercial use, even in part, of this instruction manual require the written permission of WilTec Wildanger Technik GmbH.