

Operation Manual

Stainless Steel Pond Clarifier CUV-718, CUV-724, CUV-736, CUV-755, CUV-772, CUV-7110

51603–51608



Illustration similar, may vary depending on model

Read and follow the operating instructions and safety information before using for the first time.

Technical changes reserved!

Due to further developments, illustrations, functioning steps, and technical data can differ insignificantly.

Updating the documentation

If you have suggestions for improvement or have found any irregularities, please contact us.



The information contained in this document may alter at any time without previous notice. It is prohibited to copy or spread any parts of this document in any way without prior written allowance. All rights reserved.

The WilTec Wildanger Technik GmbH cannot be held accountable for any possible mistakes in this operating manual, nor in the diagrams and figures shown.

Even though, the WilTec Wildanger Technik GmbH has undergone biggest possible efforts to ensure that the operating manual is complete, faultless, and up to date, mistakes cannot be entirely avoided.

If you should find a mistake or wish to make a suggestion for improvement, we look forward to hearing from you.

Send an e-mail to:

service@wiltec.info

or use our contact form:

<https://www.wiltec.de/contacts/>

The most recent version of this manual in various languages can be found in our online shop via:

<https://www.wiltec.de/docsearch>

Our postal address is:

WilTec Wildanger Technik GmbH
Königsbenden 12
52249 Eschweiler
Germany

To return orders for exchange, repair, or other purposes, please use the following address. Attention! To allow for a smooth execution of your complaint or return, it is important to contact our customer service team before returning the goods.

Returns Department
WilTec Wildanger Technik GmbH
Königsbenden 28
52249 Eschweiler

E-mail: **service@wiltec.info**

Tel: +49 2403 55592-0

Fax: +49 2403 55592-15



Introduction

Thank you for purchasing this quality product. **To minimise the risk of injury we urge that our clients take some basic safety precautions when using this device. Please read the operation instructions carefully and make sure you have understood its content.**

Keep these operation instructions safe.

Safety guideline



BEWARE:

The use of this device is allowed on standing water bodies, garden pond water or swimming ponds and their surrounding areas only with fault current protection-switch with a triggering nominal current up to 30 mA (according to VDE 0100 Article 702 and 738).

The device is not suitable for use in swimming pools, paddling pools, and other water bodies in which during operation people are present. The operation of the device during the presence of people in the danger zone is not allowed. Ask your electrician.

The device is not intended for use by persons (including children) with impaired or limited physical, sensory, and mental abilities or lack of experience and/or real knowledge, unless they are supervised by a person responsible for their safety or follow the instructions made by this person how to use the device correctly.

Children should be supervised to make sure that they do not play with the device.



ATTENTION:

- Run a visual inspection of the device before every use. Do not use the device if the safety appliances are damaged or worn out. Never override safety regulations.
- Use the device exclusively according to the intended purpose stated in the instructions for use.
- You are responsible for the safety of the working environment.
- If the cable or the plug is damaged due to external influences, the cable must not be repaired, but must be replaced with a new one. This work can be carried out only by an electrician.
- The voltage indicated on the type plate of the device of 230 V AC must correspond to the existent mains voltage.
- Never lift, carry, or suspend the device by using the power cable.
- Make sure that the electrical plug connection is placed in a flood-proof area and is protected from moisture.
- Before working on the pond pump, disconnect the appliance by taking the plug out of the socket.
- Avoid exposing the appliance to a direct water jet or rain.
- The user is responsible for the compliance with local safety and installing regulations. Ask an electrician.
- Consequential damage arising from flooded rooms caused by dysfunctions of the appliance must be avoided by means of the appropriate measures (e.g., installing an alarm system, reserve pump).
- In case of malfunction the repair work can be carried out only by a qualified electrician.
- The appliance must not run dry or with a completely closed intake port.
- The appliance must not be used for swimming pools.
- The device cannot be employed for potable water circuits.
- The UVC filter should be placed so that the water will not submerge it, and it should be at a 2 m distance from the edge of the pond to the fitter. This equipment cannot be used under the water.
- The device is to be fixed horizontally with screws on a corresponding mounting spot.
- The universal hose connectors are to be shortened to have a diameter corresponding to the one of your hoses. Secure the hoses by means of hose clamps.
- Although UV radiation is the lowest in energy of all ionising radiations, it may be dangerous for man and other organisms. Even with a larger wave length, UV radiation can destroy the



chemical connection between organic molecules. Therefore, you should be very responsible when operating a technical UV radiation source.

- Only operate the tube in a closed housing that is not broken.



WARNING:

Do read all safety instructions and regulations. A lack of compliance with the safety instructions and regulation may cause electric shock, fire and/or severe lesions. Keep these instructions for the future.

Resistance

- The temperature of the fluid transported should not exceed +35 °C in permanent operation.
- This pump is not designed to transport inflammable, gas forming or explosive liquids. This pump must not be used for other liquids than water, e.g., engine fuels, detergents, and other chemical products!

Electrical connexion

The electrical connexion is to be made to an isolated ground receptacle of 230 V ~ 50 Hz. Protection at least 10 A.

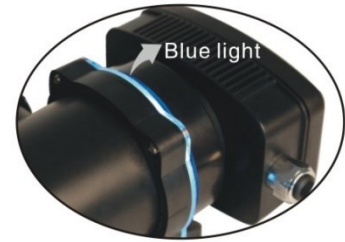


Caution:

- The UVC clarifier must be located so that no water may reach it. The distance between the pond edge and the clarifier should be at least 2 m. The clarifier may not be operated under the water.
- Before the water circulation, the electrical source of the UVC filter cannot be switched on.
- Place the UVC in a steady and safe spot because the UV light tube is made of quartz glass which easily breaks.
- Before all parts are installed completely, the electrical source cannot be switched on.
- If the UV light tube or the body shell is broken, the equipment cannot be used.
- When any person is in the water, the UVC cannot be used.
- Make sure that the electrical voltage, frequency used are consistent with the indication on the UVC station.
- When installing the equipment, the domestic installation regulation should be followed.
- Do not pull the device on its cable, and protect the cable from heat, grease, or sharp edges.
- Make sure the maximum pressure of the body shell ensured is less than 0,3 bar.
- When frost is coming, please de-install the UV filter.
- When installing the UV filter, do not expose it to direct sunlight.
- Dirtiness on the quartz tube influences the effect of the equipment; clean the quartz tube in time.
- To ensure the effect of the equipment, the UV light tube should be replaced after 8000 operating hours.
- UVC radiation is harmful to the eyes and skin. Please do not look directly into the UVC, and do not expose your skin to UVC radiation.
- When installing or repairing this equipment, the electrical source of the clarifier and pump must be switched off.
- The product must be installed horizontally and with the feet down. Other installation positions are prohibited for safety reason.

Commissioning

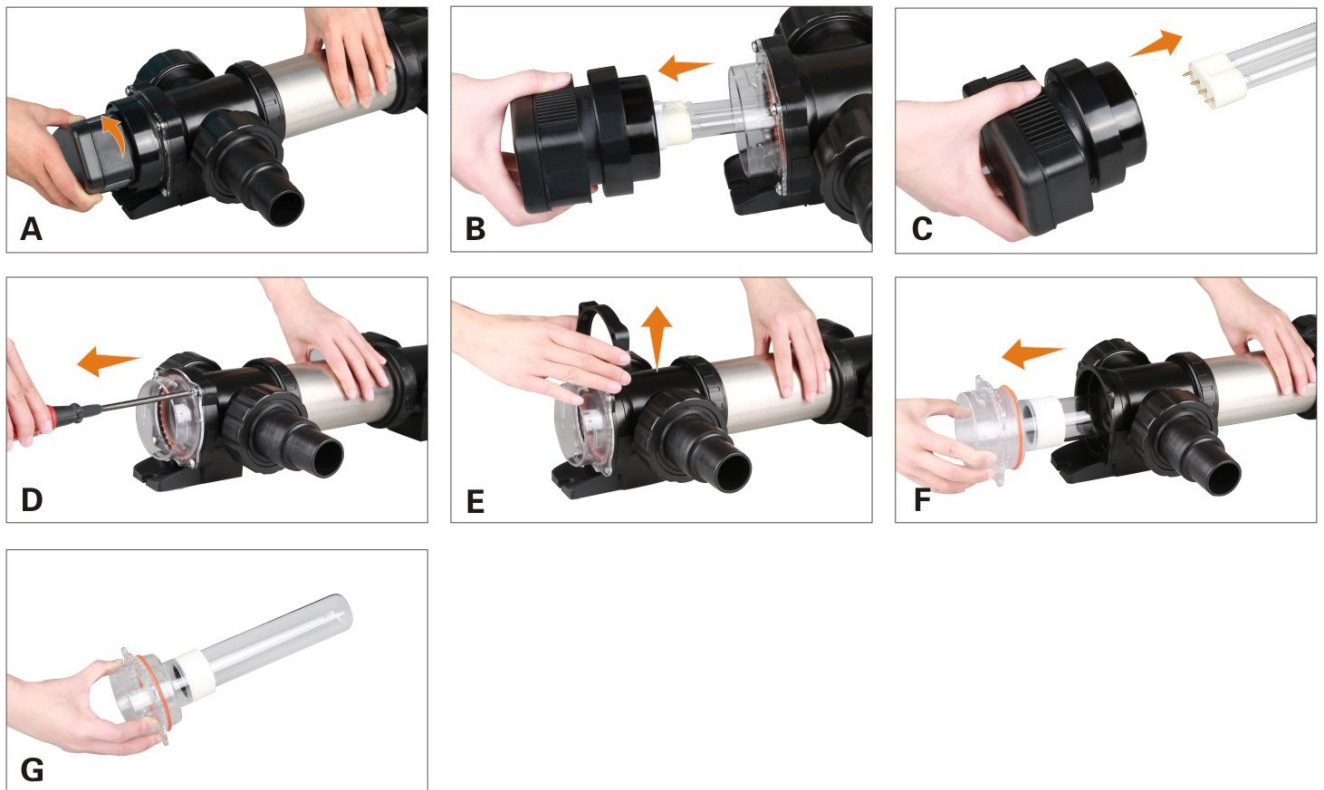
1. When the water is led through the pump and device, this equipment emits a 253.7 nm ultraviolet ray; after a short exposure to it, most of the bacteria and algae are killed, and thus your fish can live in a healthy environment.
2. This device does not provide a water pump; please buy a separate water pump.
3. Connect the inlet pipe with the outlet of the water pump.
4. Connect the outlet pipe with another filter or the pond.
5. Check after several minutes whether the water circulation has started, and check the sealing condition of all connectors.
6. Turn on the electrical source, the UV filter begins to work.



Important: Connect the water pump first, and then connect the UV device. Do not run the device without water. This device will be automatically turned on after the power has been switched on.

When the UV germicidal lamp shows a blue light, it means that the equipment runs normally.

Cleaning, maintenance, and change



Important: To guarantee the best filtering performance, replace the UV lamp after working 8000 hours.

1. Turn the head according to the direction of the arrow (Fig. A).
2. Take out the head according to the direction of the arrow (Fig. B).
3. Take out the UV lamp according to the direction of the arrow, then replace it. (Only allowed to use the same tube.) Thoroughly clean the inside and outside of the housing (Fig. C).
4. Use a screwdriver to unscrew 4 screws (Fig. D).
5. Take out the upper bracket according to the direction of the arrow (Fig. E).
6. Take out the quartz glass tube according to the direction of the arrow (Fig. F).

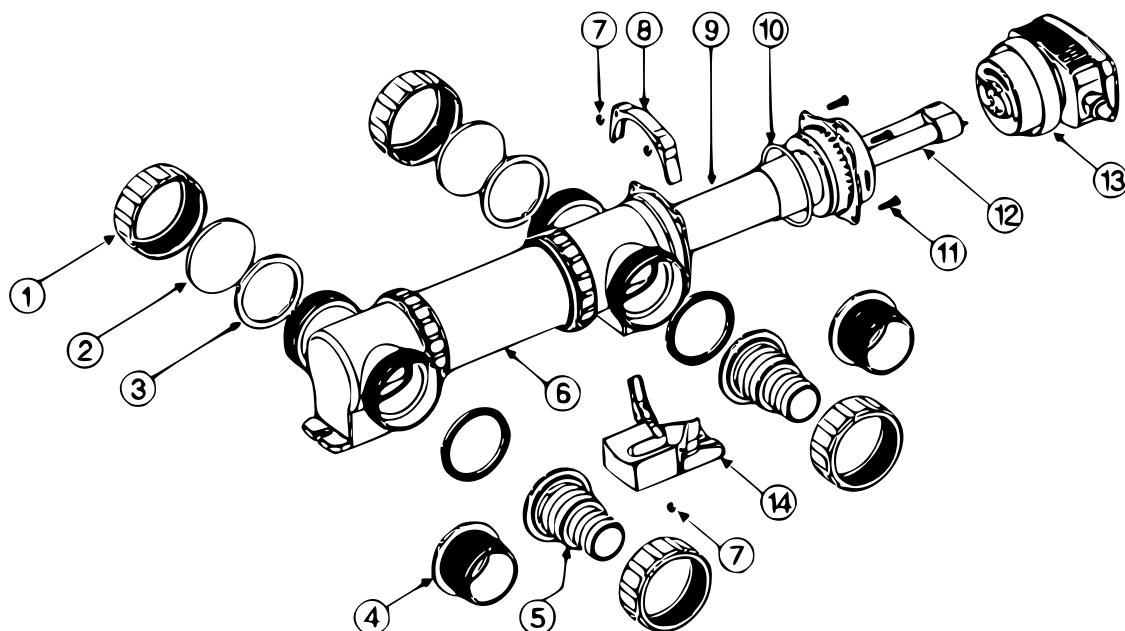


7. Using a wet cloth, clean the quartz glass tube from the outside, and inspect it for damage. (Hint: Use vinegar to clean the quartz glass tube if there is much incrustation.) (Fig. G).

Technical data

Model	Item number	UV power (W)	Max. pond capacity (ℓ)	Max. pressure (bar)	Recommended flow rate (ℓ/h)	Hose connections (mm)	Length (mm)
CUV-718	51603	18	25000	1.0	3000	38–50 (1½"–2")	458
CUV-724	51604	24	40000		5000		
CUV-736	51605	36	55000		7000		545
CUV-755	51606	55	65000		8000		
CUV-772	51607	2×36	90000		8000		1030
CUV-7110	51608	2×55	120000		8000		1306

Explosion view and parts list



No	Name	No	Name
1	Fixing nut	8	Upper bracket
2	Indicator glass	9	Quartz glass part
3	Gasket	10	O-ring
4	Outlet 1	11	M5 screw
5	Outlet 2	12	UV lamp
6	Stainless steel shell	13	UVC device head
7	M5 nut	14	Base

Troubleshooting

Malfunction	Cause	Remedy
Performance of the unit is not satisfactory.	Water extremely soiled	Remove algae and leaves from the pond, perform a partial water change.
	Quartz glass tube soiled	Clean the quartz glass.
	UVC lamp capacity exhausted	Replace the lamp after approx. 8000 operating hours.
UVC lamp does not light up.	Plug not connected	Put the plug in.
	UVC lamp defective	Replace the UVC lamp.
	Connection defective	Check the electrical connections.
	UVC overheated	Wait until the UVC automatically switches on when cooled down.

Disposal regulations

EU guidelines regarding the disposal of scrap electric appliances (WEEE, 2012/19/EU) were implemented in the law related to electrical and electronic equipment and appliances.

All WiITec electric devices that fall under the WEEE regulations are labelled with the crossed-out wheeled waste bin logo. This logo indicates that this electric equipment must not be disposed with the domestic waste.

The company WiITec Technik GmbH has been registered in the German registry EAR under the WEEE-registration number DE45283704.

Disposal of used electrical and electronic appliances (intended for use in the countries of the European Union and other European countries with a separate collection system for these appliances).

The logo on the article or on its packaging points out that this article must not be treated as normal household waste but must be disposed to a recycling collection point for electronic and electrical waste equipment. By contributing to the correct disposal of this article you protect the environment and the health of your fellow men. Environment and health are threatened by inappropriate disposal.



Material recycling helps reduce the consumption of raw materials.

Additional information on recycling this article can be provided by your local community, municipal waste disposal facilities, or the store where you purchased the article.

Address:
 WiITec Wildanger Technik GmbH
 Königsbenden 12 / 28
 D-52249 Eschweiler

Important notice:

The reprint or reproduction, even of excerpts, and any commercial use, even in part, of this instruction manual require the written permission of WiITec Wildanger Technik GmbH.