

# Operation Manual

## SunSun SuperEco Filter Pump JTP and JTP-R Series

51634-61645



Illustration similar, may vary depending on model

Read and follow the operating instructions and safety information before using for the first time.

Technical changes reserved!

Due to further developments, illustrations, functioning steps, and technical data can differ insignificantly.

Updating the documentation

If you have suggestions for improvement or have found any irregularities, please contact us.



The information contained in this document may be altered at any time without prior notice. Copying or spreading any part of this document in any way without prior written permission is prohibited. All rights reserved.

The WilTec Wildanger Technik GmbH cannot be held accountable for any possible mistakes in this operation manual, including the diagrams and figures contained within.

Even though, the WilTec Wildanger Technik GmbH has undergone the utmost effort to ensure that this operation manual is complete, faultless, and up to date, mistakes cannot be entirely avoided. We are looking forward to hearing from you in case of you finding any mistakes or wishing to submit suggestions for improvement.

Send an e-mail to:

[service@wiltec.info](mailto:service@wiltec.info)

or use our contact form:

<https://www.wiltec.de/contacts/>

The most recent version of this manual in various languages can be found in our online shop via:

<https://www.wiltec.de/docsearch>

Our postal address is:

WilTec Wildanger Technik GmbH  
Königsbenden 12  
52249 Eschweiler  
Germany

To return orders for exchange, repair, or other purposes, please use the following address. Attention! In order to allow for a smooth processing of your complaint or return, it is important to contact our customer service team before returning the goods.

Returns Department  
WilTec Wildanger Technik GmbH  
Königsbenden 28  
52249 Eschweiler

E-mail: **service@wiltec.info**

Tel: +49 2403 55592-0

Fax: +49 2403 55592-15



## Introduction

Thank you for purchasing this quality product. **To minimise the risk of injury we urge that our clients take some basic safety precautions when using this product. Please read this operation manual carefully and make sure you have understood its content.**

Always keep this operation manual safe and accessible.

### CAUTION:

On and near standing water, garden and swimming ponds, use of the unit is only permitted with a residual current circuit breaker with a tripping rated current of up to 30 mA (according to VDE 0100 parts 702 and 738).

The unit is not suitable for use in swimming pools, paddling pools of any kind and other water bodies in which people may be present during operation. Operation of the unit with people being in the danger zone is not permitted. Consult your electrician!

This device is not intended for use by persons (including children) with reduced physical, sensory, or mental capabilities, or lack of experience and/or knowledge, unless they have been given supervision or instruction concerning use of the device by a person responsible for their safety. Children should be supervised to ensure that they do not play with the device.

### ATTENTION:

- Perform a visual inspection of the device before each use. Do not use the device if safety devices are damaged or worn. Never override safety devices.
- Only use the device in accordance with the intended use specified in these instructions for use.
- You are responsible for safety in the work area.
- If the power cord or electrical plug is damaged due to external influences, do not repair the cable but replace it with a new one. This work may only be carried out by a qualified electrician.
- The voltage of 230 V AC indicated on the unit's rating plate must correspond to the existing mains voltage.
- Never lift, transport, or fasten the unit by the power cord.
- Make sure that the electrical plug connections are protected from moisture and flooding.
- Always disconnect the plug before working on the unit.
- Avoid exposing the unit to a direct jet of water or rain.
- The operator is responsible for compliance with local safety and installation regulations. Consult a qualified electrician if necessary.
- The user must take suitable measures (e.g., installation of an alarm system, standby pump, etc.) to prevent damage caused by flooding of rooms in the event of a malfunction of the unit.
- In the event of a failure of the unit, repair work may only be carried out by a qualified electrician.
- The unit must never run dry or be operated with the intake line completely closed.
- The unit must not be used for operating swimming pools.
- The unit must not be installed in the drinking water circuit.

### WARNING:

**Read all safety notices and instructions.** Failure to comply with safety notices and instructions may result in electric shock, fire, and/or serious injury. Keep all safety notices and instructions for future reference.

## Resistance

- The maximum temperature of the pumped liquid should not exceed +35 °C in continuous operation.
- Avoid pumping aggressive liquids (of acids, alkalis, silo leachate, etc.) and liquids with abrasive (rubbing-off) substances (e.g., sand).



## Electrical connection

- The electrical connection is made to an earthed socket 230 V ~ 50 Hz. Fuse protection at least 6 A.
- The motor is protected against overloading or blocking by the built-in thermal motor protection. In case of overheating, the overheating protection of the motor automatically switches off the pump and after cooling down, the pump switches on again automatically.

## Mains connection

The pond pump you have purchased is already equipped with a protective contact plug. The pump is intended for connection to a 230 V~50 Hz earthed socket. Make sure that the socket is sufficiently fused (min. 6 A) and in perfect condition. Insert the pump plug into the socket; the pump is then ready for operation.



Please position the pump under water and ensure that no water can get into the socket.

## Features

New and clear design with variable frequency technology, low power consumption, high flow rate, large capacity, good noise insulation, can be used in water and on land.

- Wear-resistant, rust-proof, and durable ceramic shaft
- Suitable for fresh and salt water as it contains no copper
- All components can be disassembled for easy cleaning.
- With stepped hose nozzle, suitable for connecting hoses with different diameters.
- Rotor blockage protection with immediate power cut-off in case of pump impeller blockage.

## Technical data

Model	Item №	Power supply	Power (W)	Max. head (m)	Output (l/h)
JTP-1800	51634	230 V/50 Hz	11	2.2	1800
JTP-2800	51635		18	3.0	2800
JTP-3800	51636		25	3.8	3800
JTP-4800	51637		32	4.5	4800
JTP-4000R	51638		25	3.2	4000
JTP-5000R	51639		30	3.6	5000
JTP-6000R	51640		40	4.0	6000
JTP-7000R	51641		50	4.4	7000
JTP-8000R	51642		60	4.8	8000
JTP-10000R	51643		80	6.0	10000
JTP-12000R	51644		100	6.5	12000
JTP-14000R	51645		120	7.0	14000

**Note!**



There are 2 types for connection to inlet and outlet:



**Type 1:**

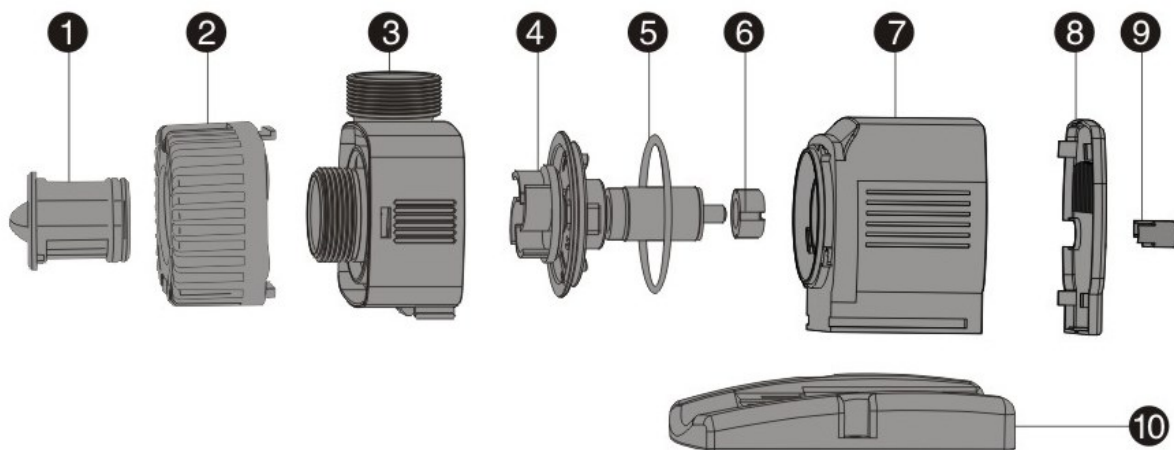
1. Loosen the screw nut clockwise.
2. Connect the hose.
3. Tighten the screw nut anticlockwise.

**Type 2 (multi-stage connections):**

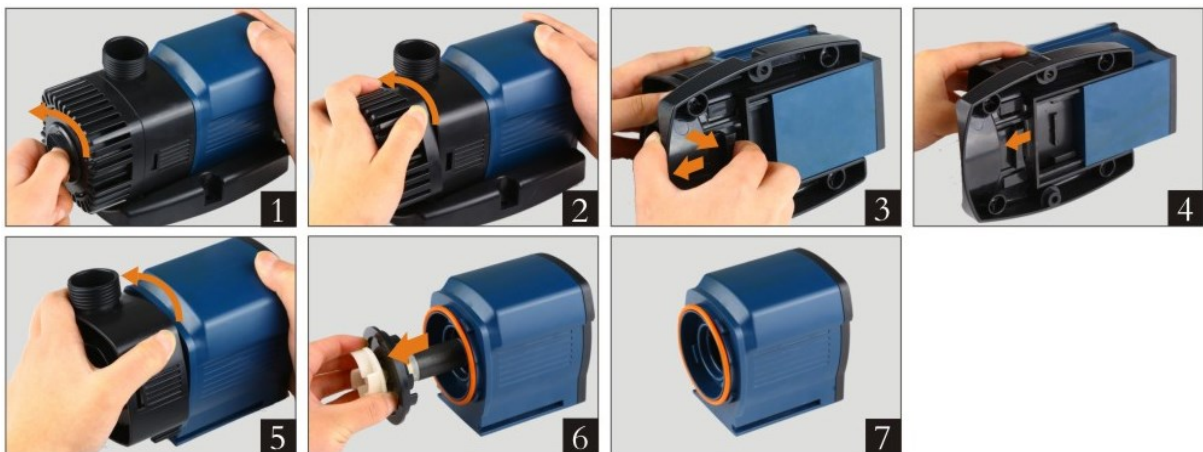
1. Select the right size for the connection and cut off the smaller connections.
2. Connect the hose.

**Explosion view, parts list, and operating instructions**

JTP-1800-2800-3800-4800

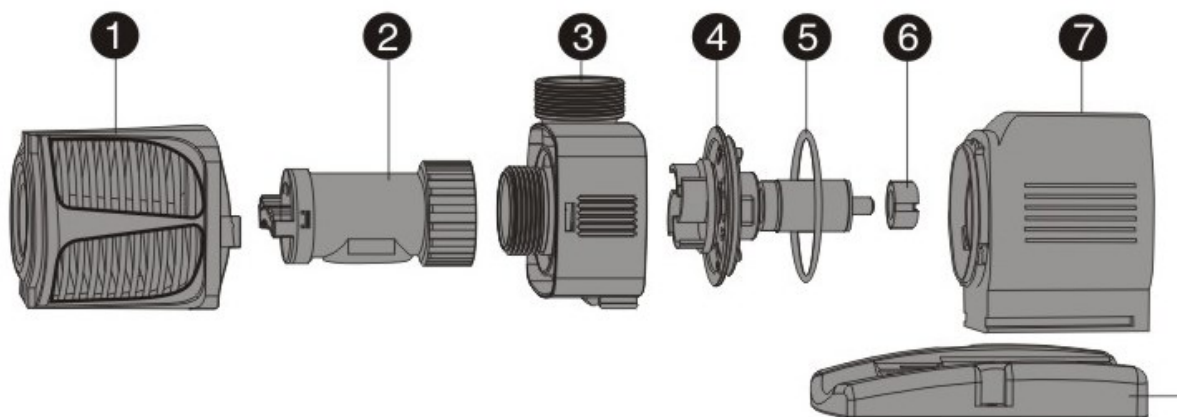


Nº	Name	Nº	Name
1	Control valve	6	Bearing
2	Filter casing	7	Housing
3	Impeller cover	8	Rear cover
4	Rotor	9	Cable seal
5	O-sealing ring	10	Base plate

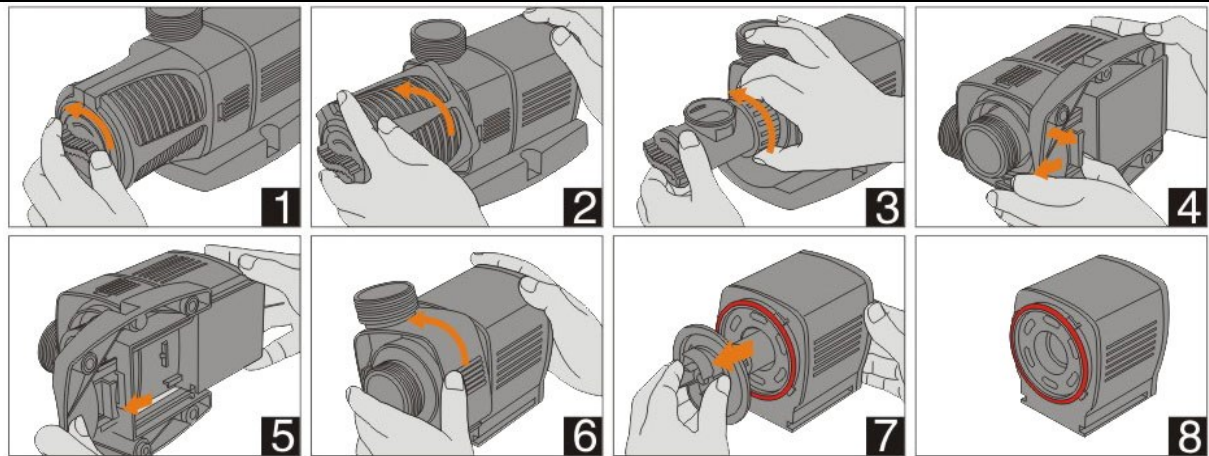


- Fig. 1: Set the flow rate using the rotary control.
- Fig. 2: Open the filter housing by turning it in the direction of the arrow and then pulling it off.
- Fig. 3: Move the snap lock on the base plate in the direction of the arrow.
- Fig. 4: Remove the base plate.
- Fig. 5: Turn the motor housing in the direction of the arrow and remove it.
- Fig. 6: Pull the impeller and pump shaft out of the housing to clean or replace them.
- Fig. 7: Make sure that the sealing ring is properly refitted before reassembling the pump.

JTP-4000R-5000R-6000R-7000R-10000R-12000R-14000R



No	Name	No	Name
1	Filter housing	6	Bearing
2	Control valve	7	Housing
3	Impeller cover	8	Back cover
4	Rotor	9	Base plate
5	O-sealing ring		



- Fig. 1: Set the flow rate with the help of the control dial.
- Fig. 2: Open the filter housing by turning it in the direction of the arrow and then pulling it off.
- Fig. 3: Remove the control valve in the direction of the arrow.
- Fig. 4: Move the snap lock on the base plate in the direction of the arrow.
- Fig. 5: Loosen the base plate.
- Fig. 6: Turn the motor housing in the direction of the arrow and remove it.
- Fig. 7: Pull the impeller and the pump shaft out of the housing to clean or replace them.
- Fig. 8: Make sure that the sealing ring is properly refitted before reassembling the pump.

## Disposal regulations

EU guidelines regarding the disposal of scrap electric devices (WEEE, 2012/19/EU) were implemented in the law related to electrical and electronic equipment and devices.

All WiITec electric devices that fall under the WEEE regulations are labelled with the crossed-out wheeled waste bin logo. This logo indicates that this electric equipment must not be disposed with the domestic waste.

The company WiITec Technik GmbH has been registered in the German registry EAR under the WEEE-registration number DE45283704.

Disposal of used electrical and electronic devices (intended for use in the countries of the European Union and other European countries with a separate collection system for these devices).

The logo on the article or on its packaging points out that this article must not be treated as normal household waste but must be disposed to a recycling collection point for electronic and electrical waste equipment. By contributing to the correct disposal of this article you protect the environment and the health of your fellow men. Environment and health are threatened by inappropriate disposal.



Material recycling helps reduce the consumption of raw materials.

Additional information on recycling this article can be provided by your local community, municipal waste disposal facilities, or the store where you purchased the article.

Address:  
 WiITec Wildanger Technik GmbH  
 Königsbenden 12 / 28  
 D-52249 Eschweiler

Important notice:

The reprint or reproduction, even of excerpts, and any commercial use, even in part, of this operation manual require the written permission of WiITec Wildanger Technik GmbH.