

# Operation Manual

## Hang-on Aquarium Filter

51649, 51650



Illustration similar, may vary depending on model

Read and follow the operating instructions and safety information before using for the first time.

Technical changes reserved!

Due to further developments, illustrations, functioning steps, and technical data can differ insignificantly.

Updating the documentation

If you have suggestions for improvement or have found any irregularities, please contact us.



The information contained in this document may alter at any time without previous notice. It is prohibited to copy or spread any parts of this document in any way without prior written allowance. All rights reserved.

The WilTec Wildanger Technik GmbH cannot be held accountable for any possible mistakes in this operating manual, nor in the diagrams and figures shown.

Even though, the WilTec Wildanger Technik GmbH has undergone biggest possible efforts to ensure that the operating manual is complete, faultless, and up to date, mistakes cannot be entirely avoided.

If you should find a mistake or wish to make a suggestion for improvement, we look forward to hearing from you.

Send an e-mail to:

[service@wiltec.info](mailto:service@wiltec.info)

or use our contact form:

<https://www.wiltec.de/contacts/>

The most recent version of this manual in various languages can be found in our online shop via:

<https://www.wiltec.de/docsearch>

Our postal address is:

WilTec Wildanger Technik GmbH  
Königsbenden 12  
52249 Eschweiler  
Germany

To return orders for exchange, repair, or other purposes, please use the following address. Attention! To allow for a smooth execution of your complaint or return, it is important to contact our customer service team before returning the goods.

Returns Department  
WilTec Wildanger Technik GmbH  
Königsbenden 28  
52249 Eschweiler

E-mail: **service@wiltec.info**

Tel: +49 2403 55592-0

Fax: +49 2403 55592-15



## Introduction

Thank you for purchasing this quality product. **To minimise the risk of injury we urge that our clients take some basic safety precautions when using this device. Please read the operation instructions carefully and make sure you have understood its content.**

Keep these operation instructions safe.

## Safety instructions



The use of the device is only permitted with a residual current circuit breaker with a triggering rated current of up to 30 mA (according to VDE 0100 parts 702 and 738).

The device is not intended for use by persons (including children) with impaired or limited physical, sensory, and mental abilities or lack of experience and/or real knowledge, unless they are supervised by a person responsible for their safety or you follow the instructions made by this person how to use the device correctly.

Children should be supervised to make sure that they do not play with the device.



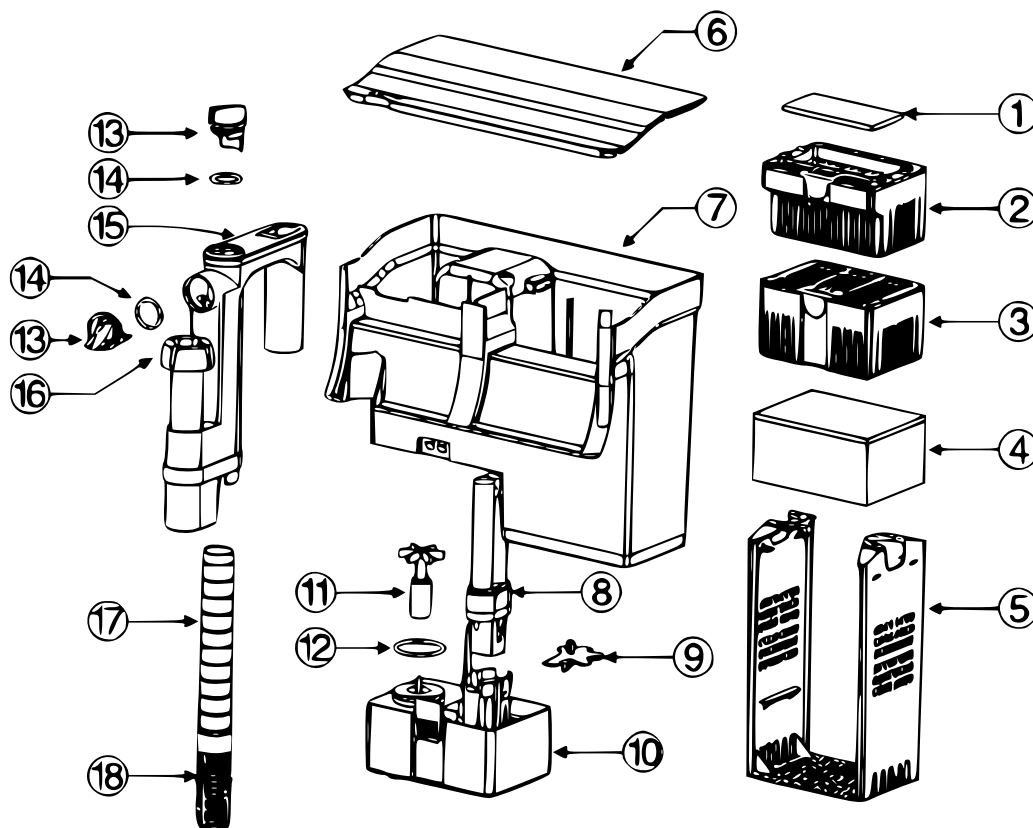
- Perform a visual inspection of the device before each use. Do not use the device if safety devices are damaged or worn. Never override safety devices.
- Only use the device in accordance with the intended use specified in these operating instructions.
- You are responsible for the safety in the work area.
- If the cable or the plug is damaged due to external influences, the cable must not be repaired, but must be replaced with a new one. This work may only be carried out by a qualified electrician.
- The voltage of 230 V AC specified on the nameplate of the device must correspond to the existing mains voltage.
- Never lift, transport, or fasten the device by the power cord.
- Make sure that the electrical plug connections are protected from flooding and moisture.
- Pull the power plug before working on the device.
- Avoid exposing the device to direct water jets or rain.
- The operator is responsible for compliance with local safety and installation regulations. If necessary, ask an electrician.
- If the device fails, repairs may only be carried out by a qualified electrician.
- Read all safety warnings and instructions. Failure to follow the safety instructions and instructions can result in electric shock, fire, and/or serious injury.
- Keep all safety information and instructions for the future.

## Use

- This filter includes a UV steriliser, which helps reduce floating algae and bacteria in the aquarium.
- **Never** expose your skin or eyes to the UV light.
- Do not use the UV steriliser if the outer case is broken, and avoid using the filter for other purposes than in the aquarium.
- The filter uses biological and mechanical filtration to clean the aquarium water. Please pay attention to the following:

- Use the device in water with temperatures between 4 °C and 35 °C (39 °F to 95 °F).
- Only use the device in aquariums.
- Do not use the device with liquids other than water, e.g., dangerous or explosive liquids.
- Do not let the device run dry.

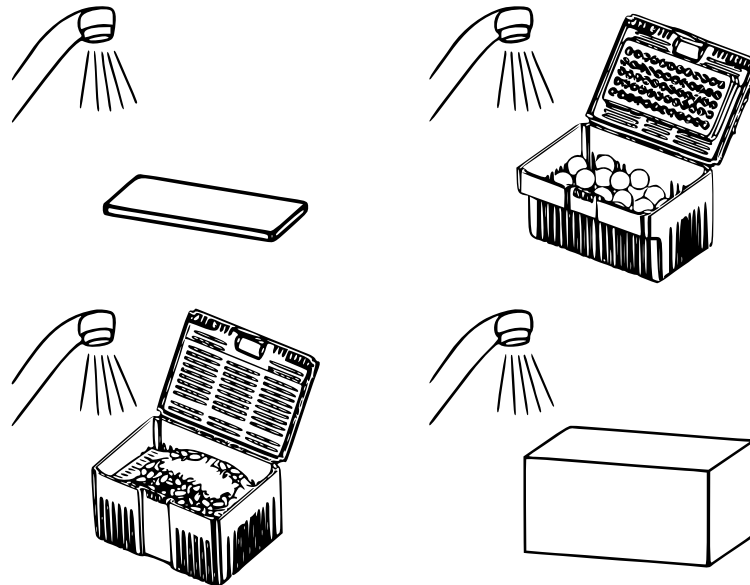
**Explosion view and parts list**



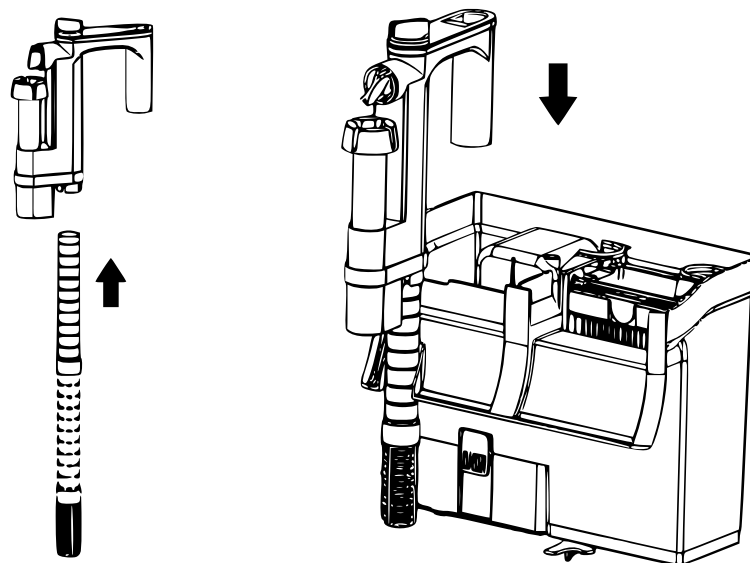
No	Name	No	Name
1	Filter pad	10	Motor
2	Media basket 1	11	Impeller
3	Media basket 2	12	O-ring 1
4	Filter sponge	13	Water flow regulator
5	Media holder	14	O-ring 2
6	Cover	15	Intake tube
7	Filter body	16	Surface skimmer
8	UV bulb	17	Telescopic tube
9	Filter to glass holder	18	Intake cover

## Assembly

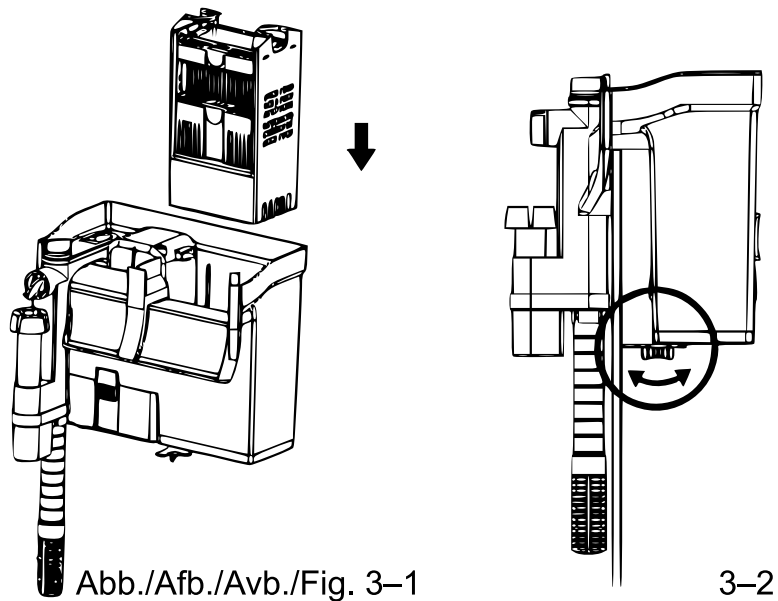
1. Take out the filter from the packaging, wash the filter pads, carbons and ceramic balls.



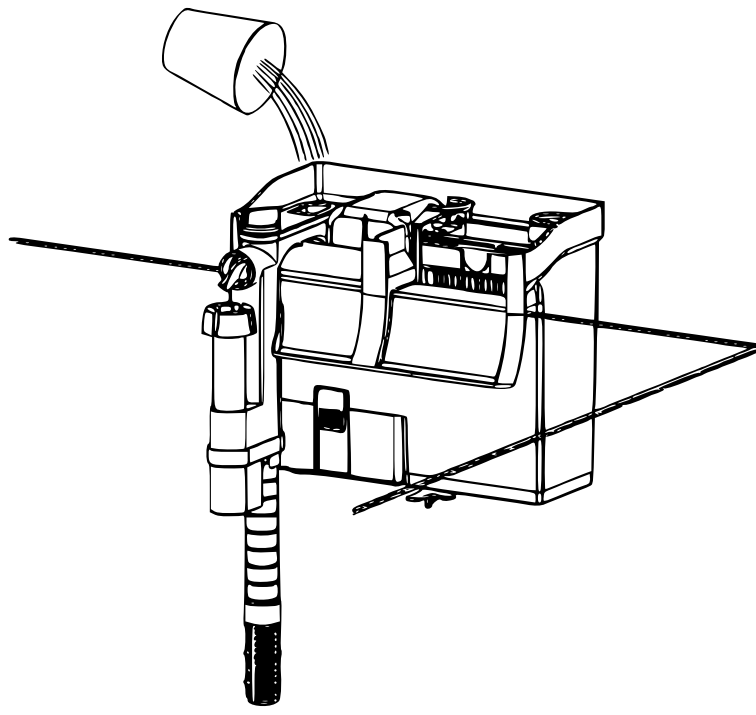
2. Put the telescopic tube and intake cover into the intake tube.



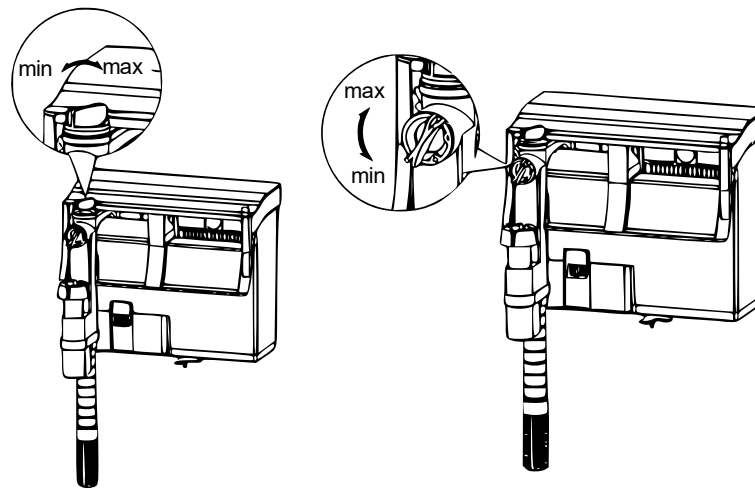
- Put the filter pads, carbons, and ceramic balls into the filter body (fig. 3-1). Adjust the filter to glass holder so the filter is horizontal (fig. 3-2).



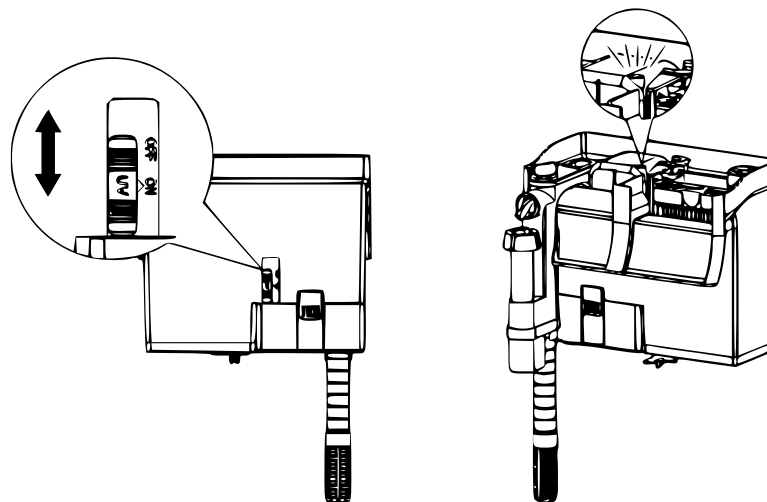
- Fill the filter body with tank water before usage. Plug in the power plug.



- Adjust the water flow dial to limit the water intake. The lateral regulator can adjust the intake for the surface skimmer. Turn the suction rate if your surface skimmer sucks in too much air.



- The UV steriliser can be turn on and off if needed.



### Maintenance and cleaning

- Unplug the power plug, pour out the water.
- Pull out the motor from the filter body.
- Clean the impeller and change the UV bulb if necessary.
- Take out the quartz tube, clean the surface.
- Check if the quartz tube and the O-ring are in good condition. Change them if necessary.
- Put everything back together.



## Technical data

Model	Item №	Flow rate (l/h)	UV power (W)	Pump power (W)	Suitable for aquariums (l)
CBG-500	51649	500	5	5	38–115
CBG-800	51650	800			75–190

## Troubleshooting

Problem	Cause	Solution
Dirty water	Beneficial bacteria not established in the new filter.	Dose some bacteria into the filter and tank.
	Filter not of right size	Upgrade to a larger filter.
	Too many fish	For reference only: 1 cm (1 inch) of fish per litre (gallon) of tank water.
	Dirty filter pads	Clean the filter pads.
	Dirty quartz tube	Clean the quartz tube.
	Water extremely dirty	Change half of the water.
UV light not on	Filter not plugged in	Plug filter to the power supply.
	UV bulb burnt out	Replace the UV bulb.
	On/off switch on off position	Push the switch to the on position.
No water comes out	No water in filter body	Put tank water in the filter body.
	Filter not plugged in	Plug the filter to the power supply.
	Intake cover clogged	Clean the intake cover.

## Wearing parts

- UV bulb (suggested changing after 8,000 hours of operation)
- Filter pads and media
- O-ring



## Disposal regulations

EU guidelines regarding the disposal of scrap electric appliances (WEEE, 2012/19/EU) were implemented in the law related to electrical and electronic equipment and appliances.

All WiITec electric devices that fall under the WEEE regulations are labelled with the crossed-out wheeled waste bin logo. This logo indicates that this electric equipment must not be disposed with the domestic waste.

The company WiITec Technik GmbH has been registered in the German registry EAR under the WEEE-registration number DE45283704.

Disposal of used electrical and electronic appliances (intended for use in the countries of the European Union and other European countries with a separate collection system for these appliances).

The logo on the article or on its packaging points out that this article must not be treated as normal household waste but must be disposed to a recycling collection point for electronic and electrical waste equipment. By contributing to the correct disposal of this article you protect the environment and the health of your fellow men. Environment and health are threatened by inappropriate disposal.



Material recycling helps reduce the consumption of raw materials.

Additional information on recycling this article can be provided by your local community, municipal waste disposal facilities, or the store where you purchased the article.

Address:  
 WiITec Wildanger Technik GmbH  
 Königsbenden 12 / 28  
 D-52249 Eschweiler

Important notice:

The reprint or reproduction, even of excerpts, and any commercial use, even in part, of this instruction manual require the written permission of WiITec Wildanger Technik GmbH.