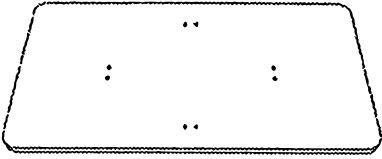
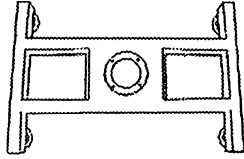
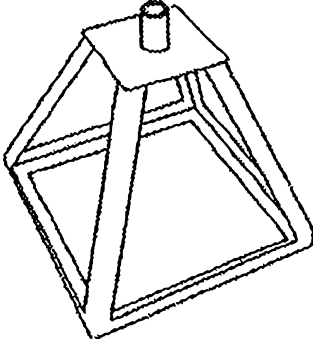

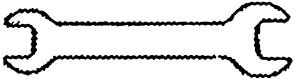

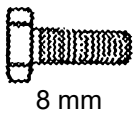
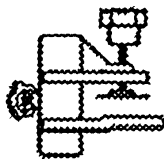
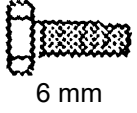
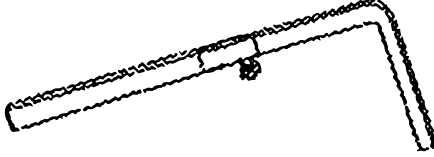
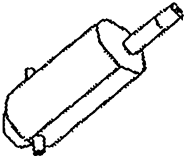

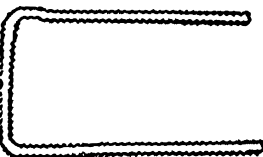
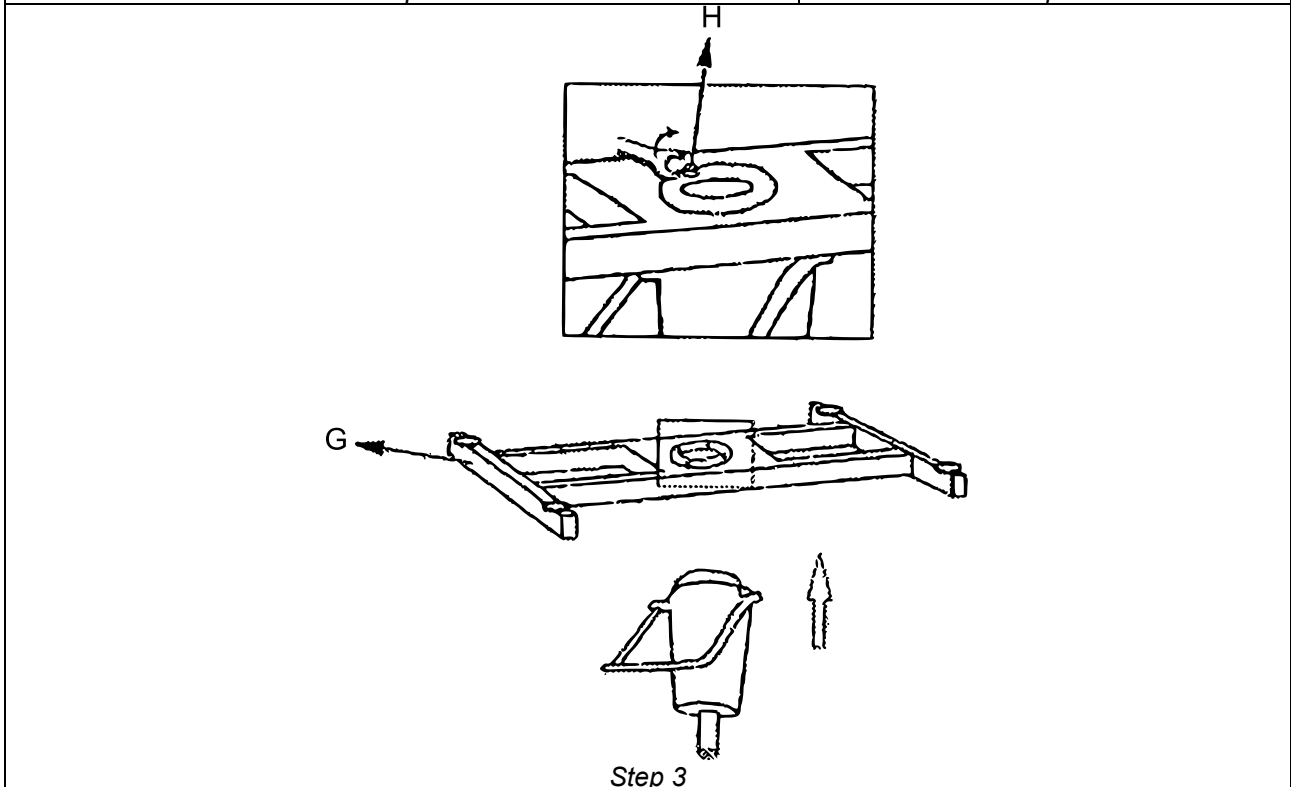
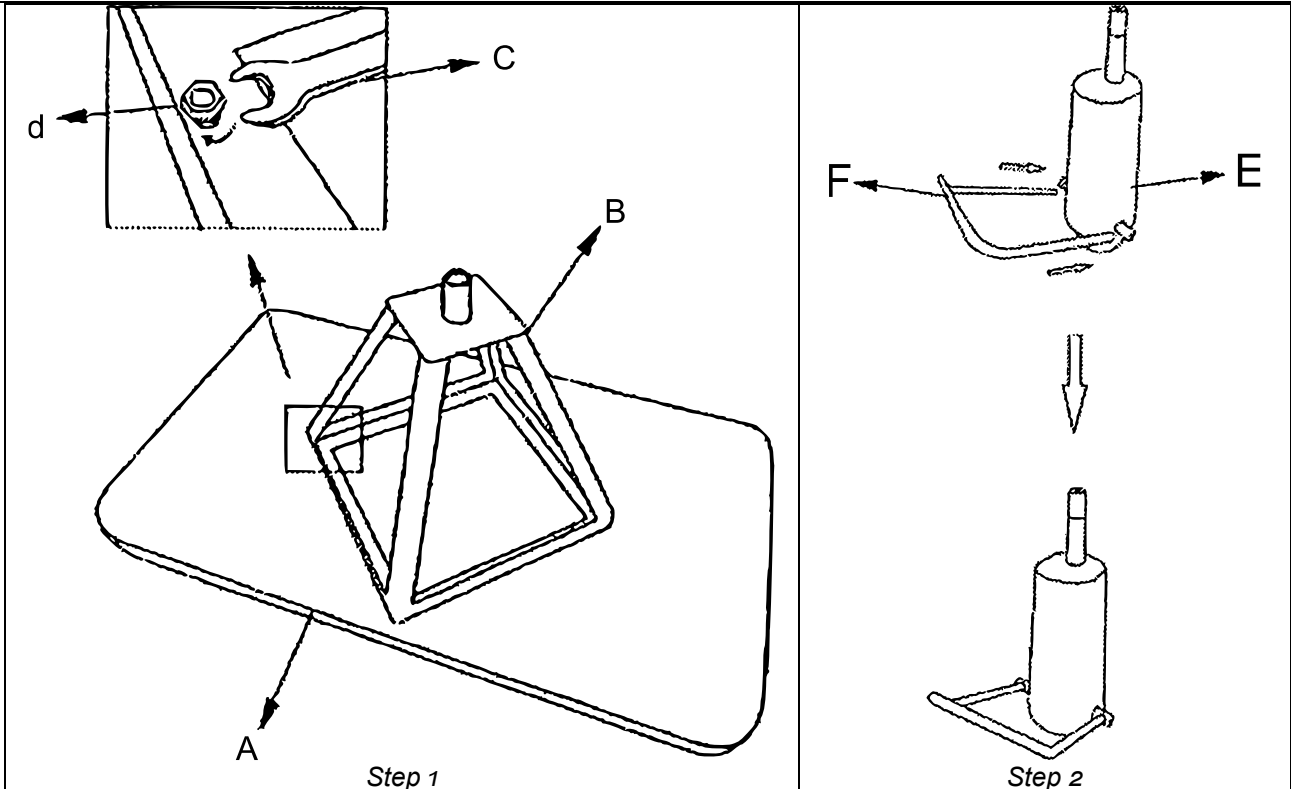
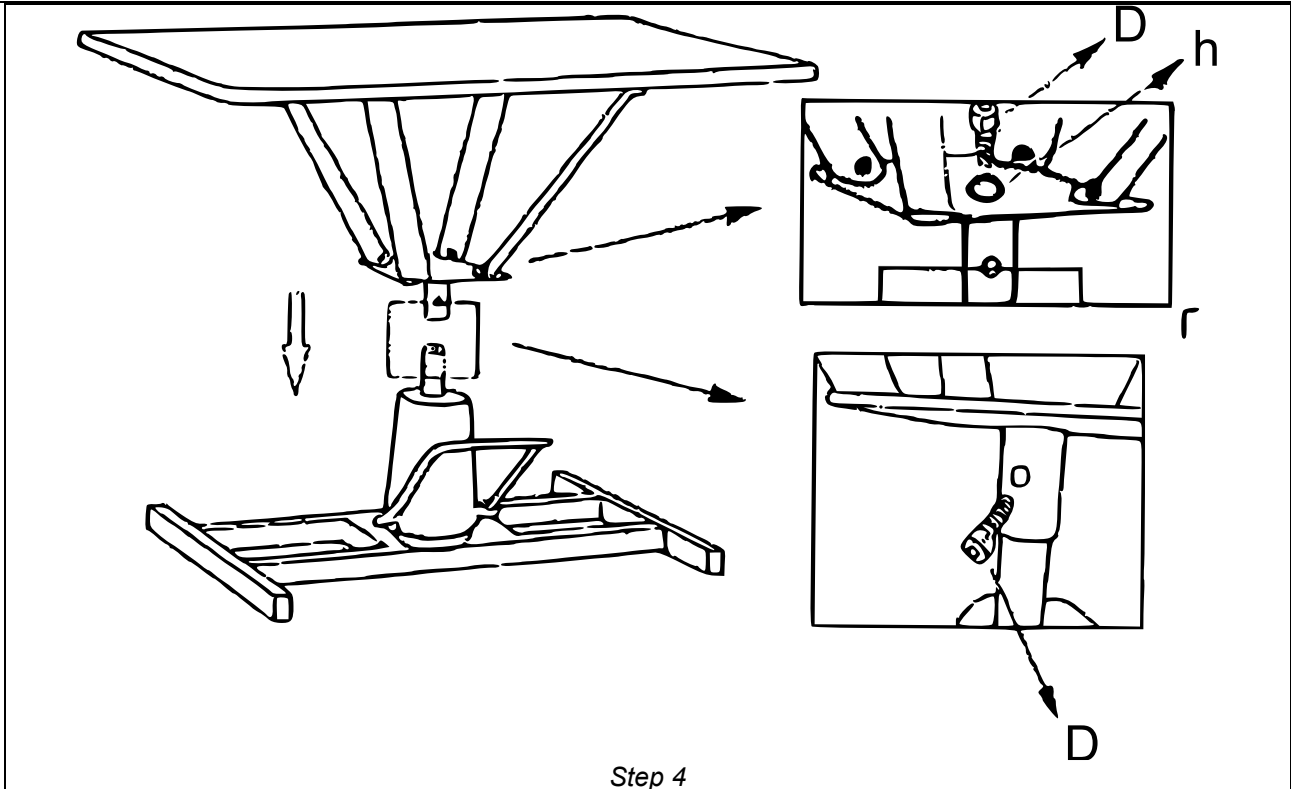


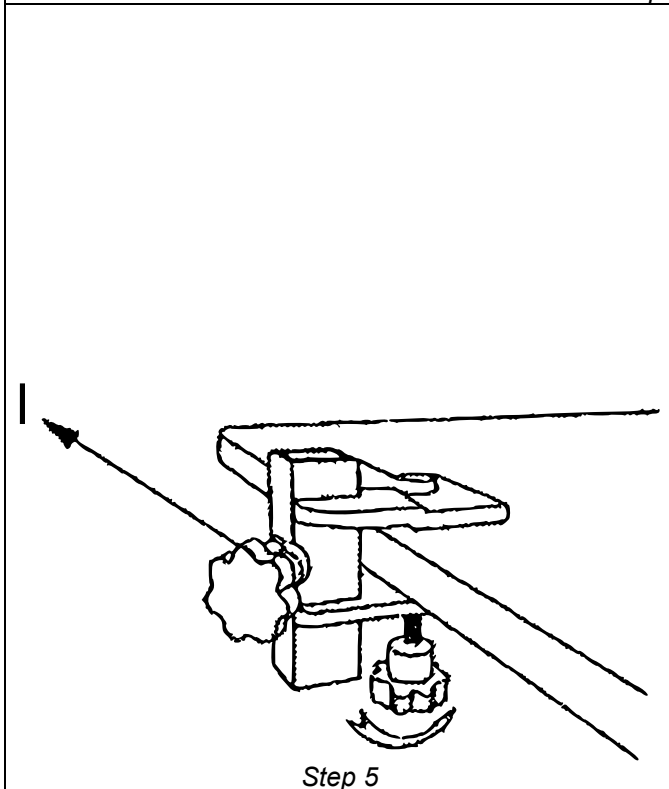


Letter	Figure	Qty.	Letter	Figure	Qty.
A		1	G		1
B		1	H		4
C		1	h		1
D		2	I		1
d		8	J		1
E		1	K		1
F		1			

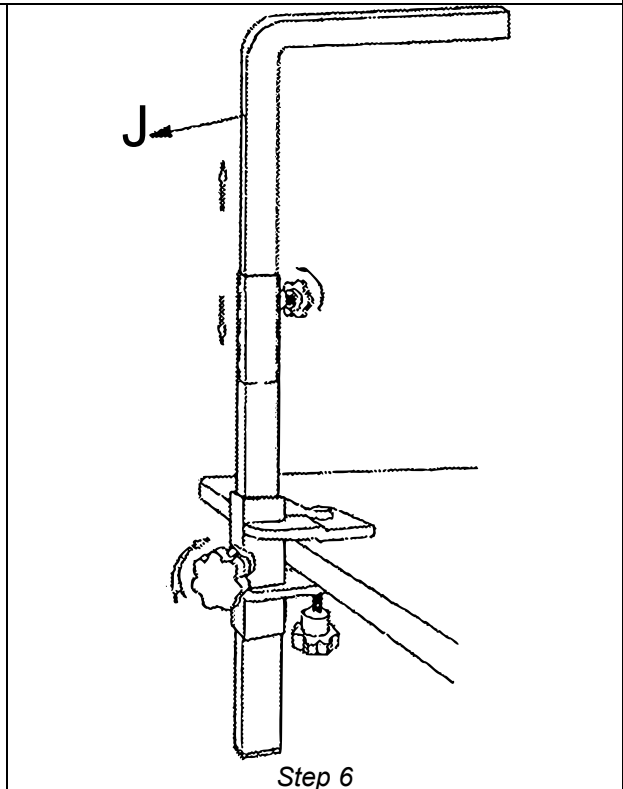




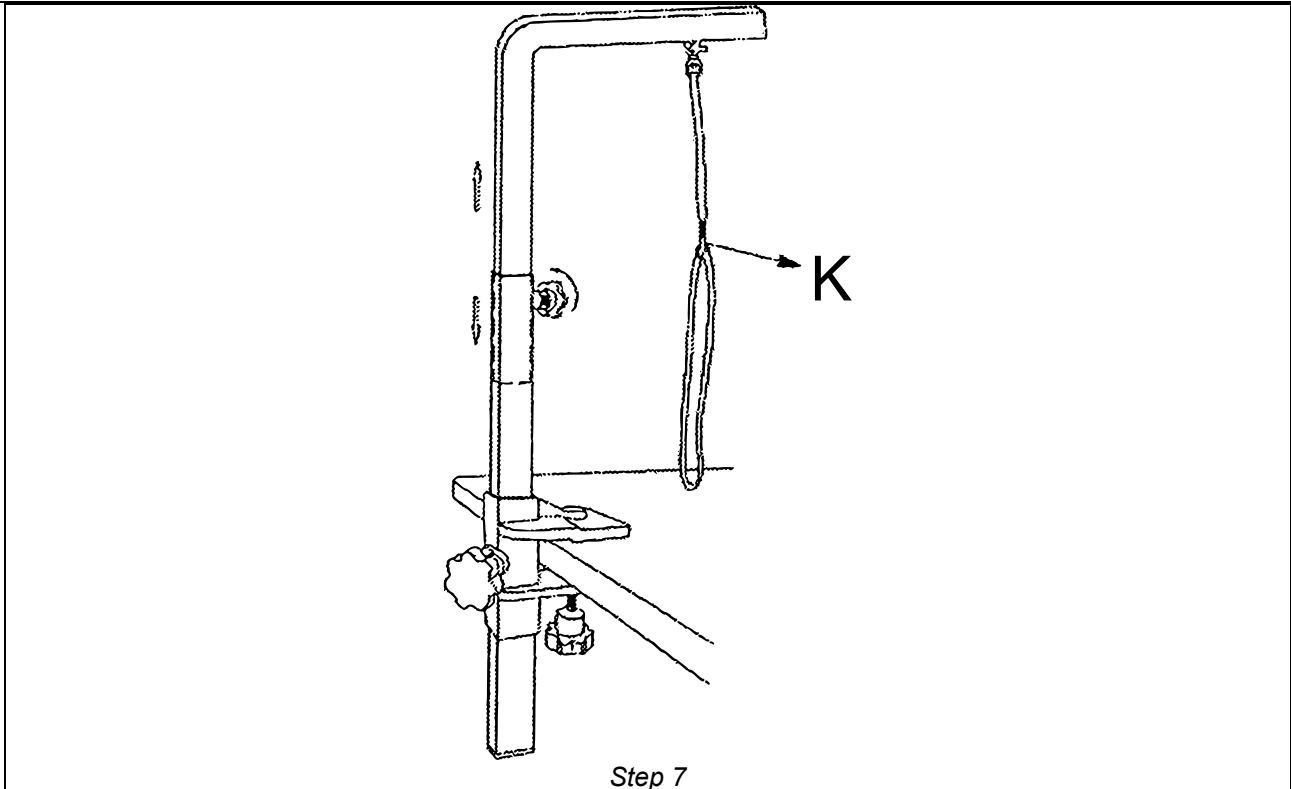
Step 4



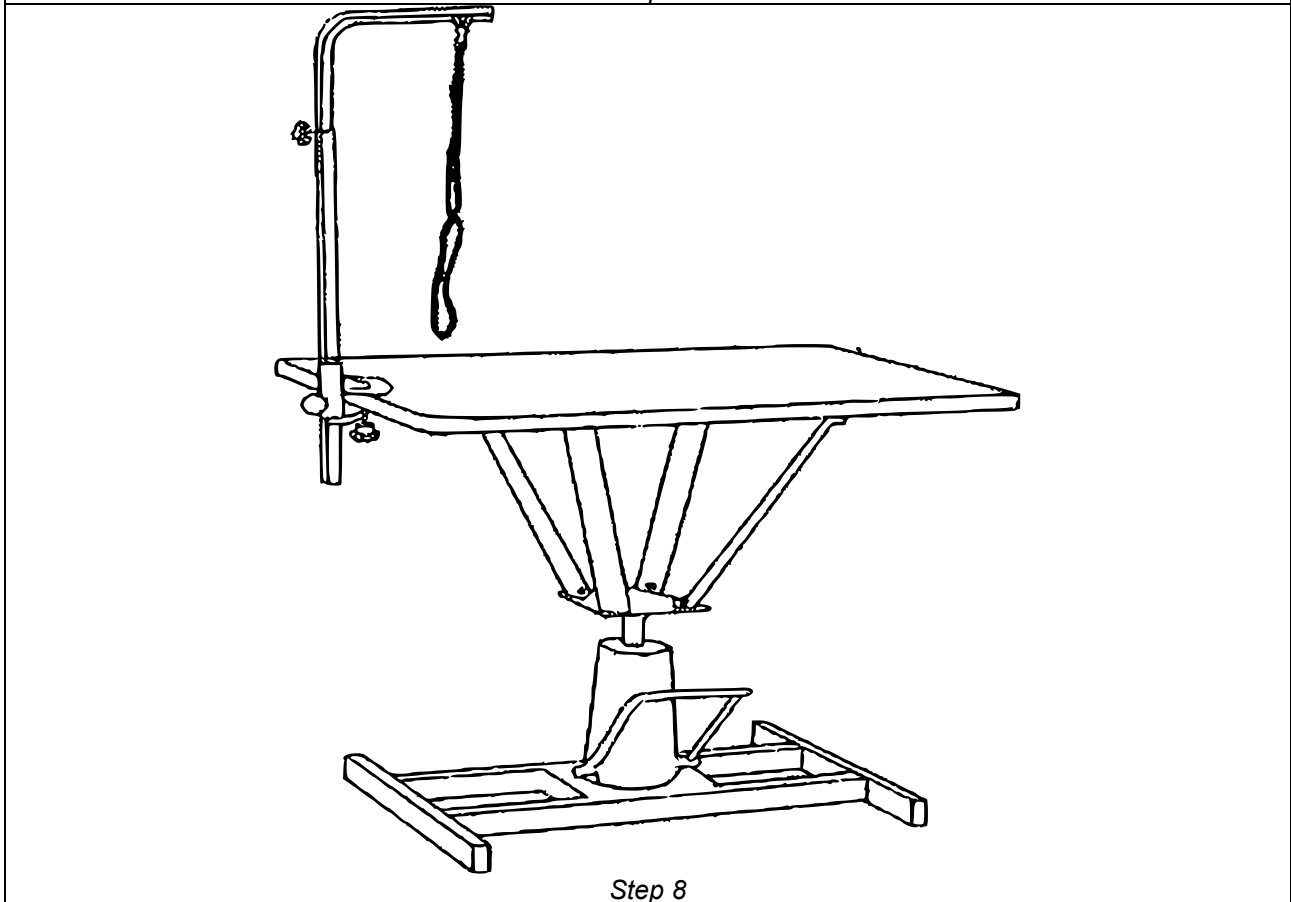
Step 5



Step 6



Step 7



Step 8

Important notice: The reprint or reproduction, even of excerpts, and any commercial use, even in part, of this instruction manual require the written permission of WilTec Wildanger Technik GmbH.