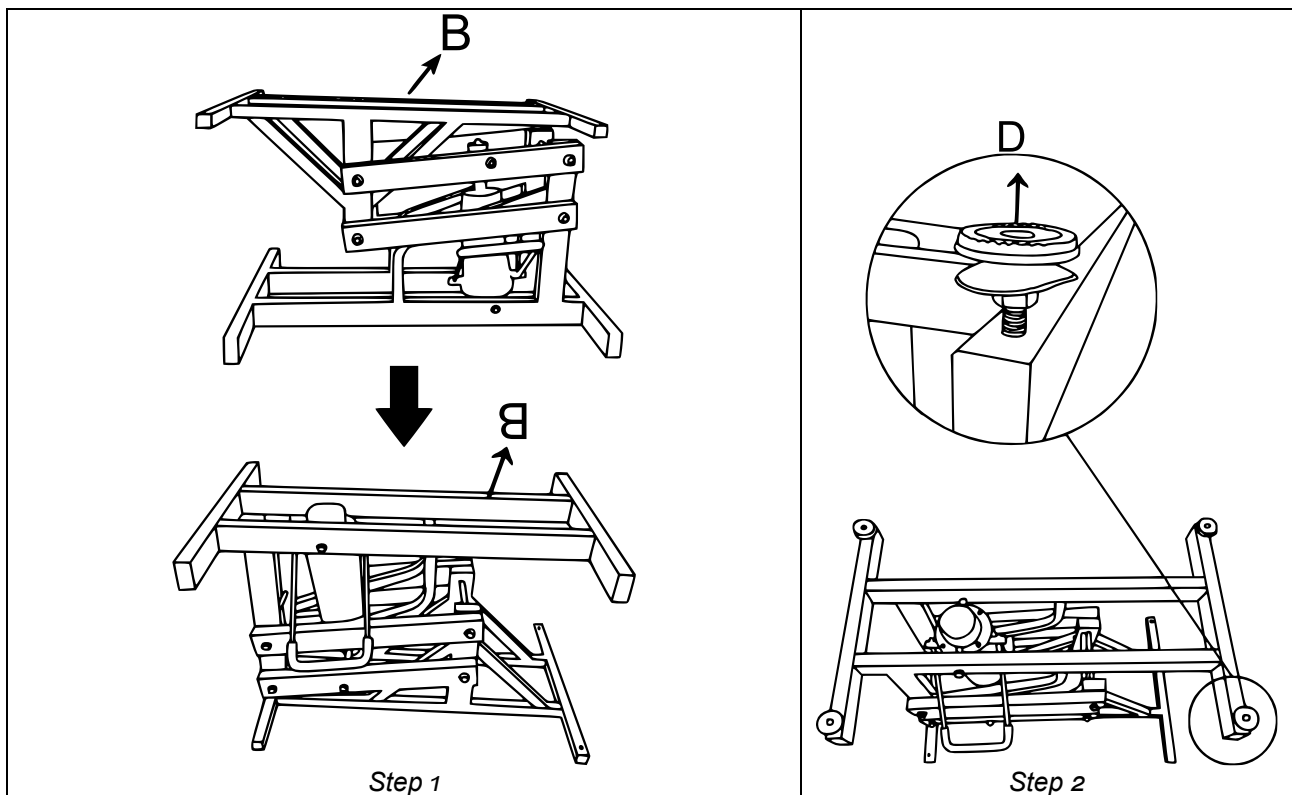
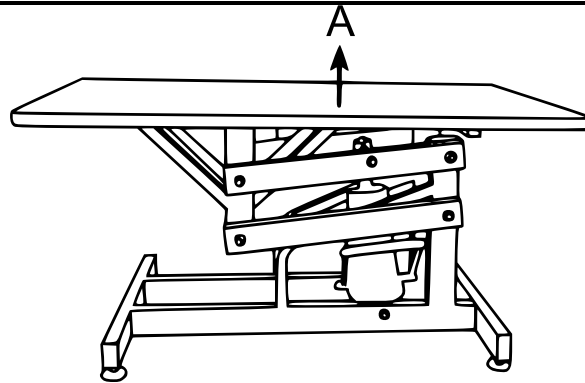


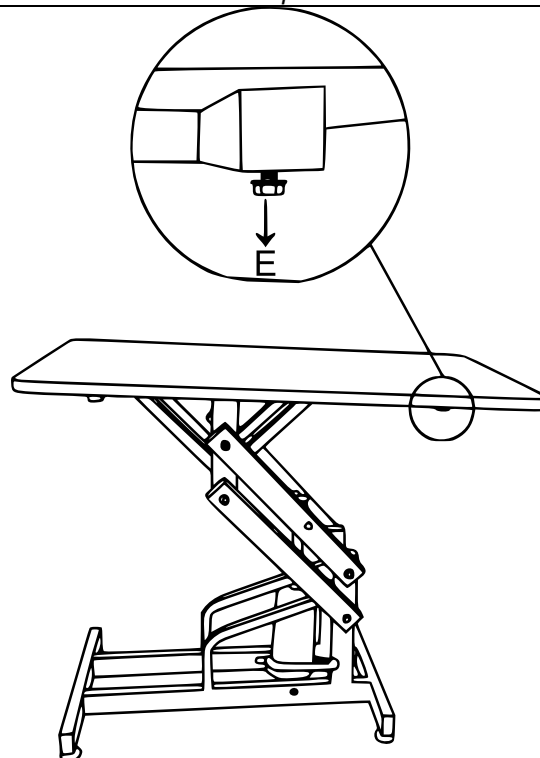


Letter	Figure	Qty.	Letter	Figure	Qty.
A			E		1
B			F		4
C			G		
D			H		

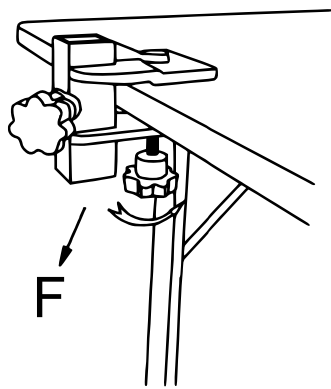




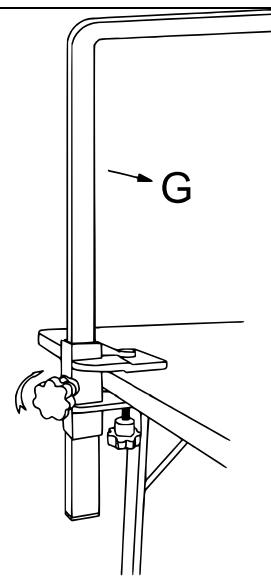
Step 3



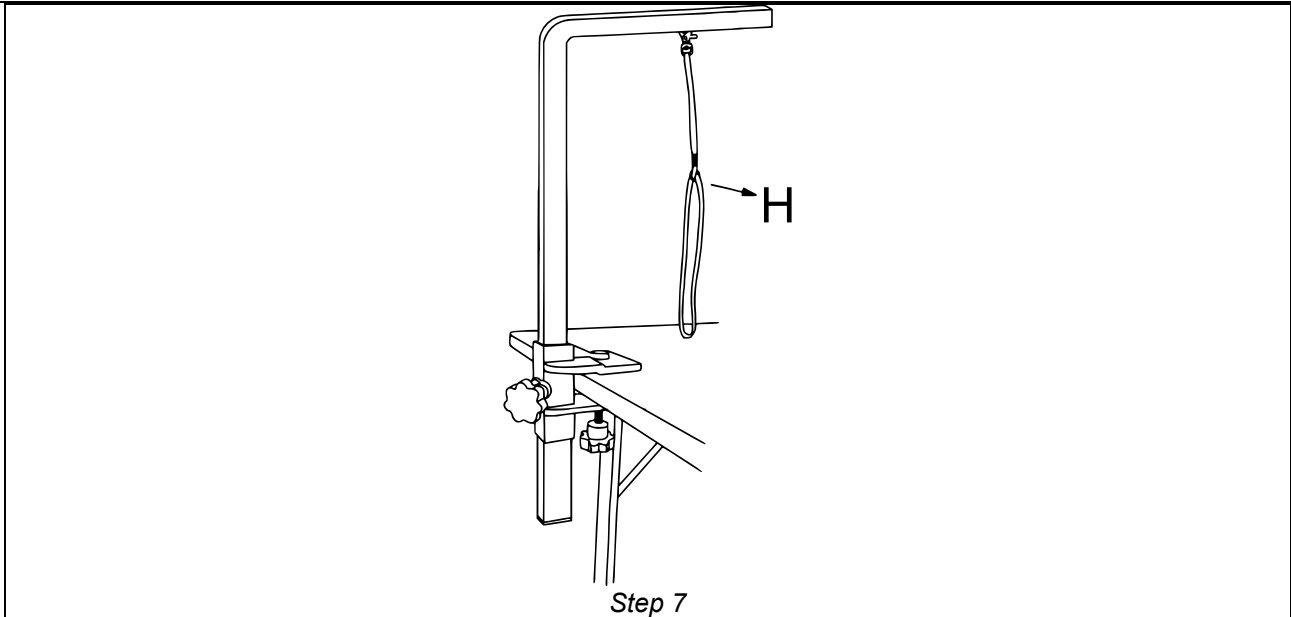
Step 4



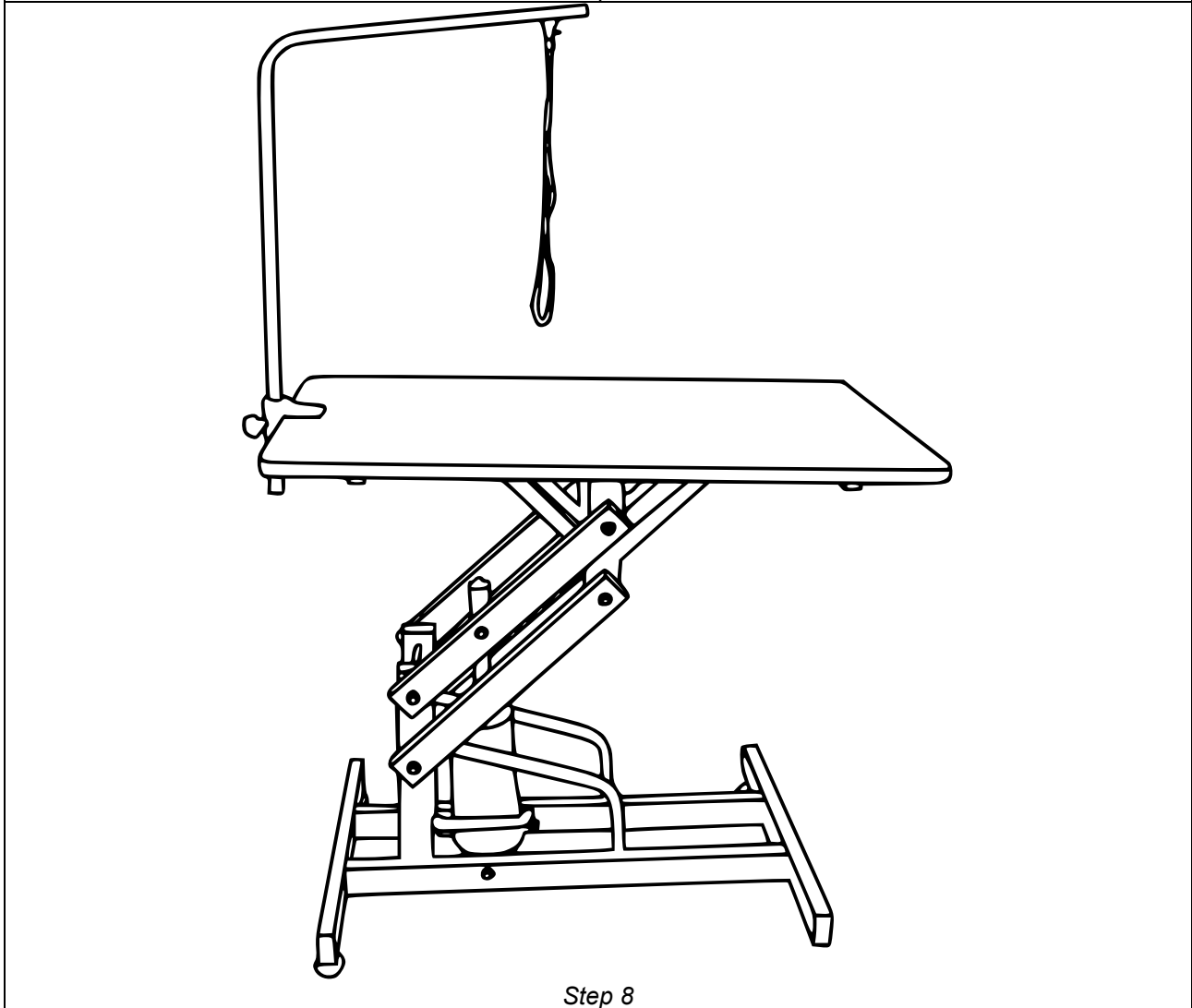
Step 5



Step 6



Step 7



Step 8

Important notice:

The reprint or reproduction, even of excerpts, and any commercial use, even in part, of this instruction manual require the written permission of WilTec Wildanger Technik GmbH.