

Operation Manual

Electrical Grill Spit for Ball Grills 51766

toboli



Illustration similar, may vary depending on model

Read and follow the operating instructions and safety information before using for the first time.

Technical changes reserved!

Due to further developments, illustrations, functioning steps, and technical data can differ insignificantly.

Updating the documentation

If you have suggestions for improvement or have found any irregularities, please contact us.



The information contained in this document may alter at any time without previous notice. It is prohibited to copy or spread any parts of this document in any way without prior written allowance. All rights reserved.

The WilTec Wildanger Technik GmbH cannot be held accountable for any possible mistakes in this operating manual, nor in the diagrams and figures shown.

Even though, the WilTec Wildanger Technik GmbH has undergone biggest possible efforts to ensure that the operating manual is complete, faultless, and up to date, mistakes cannot be entirely avoided.

If you should find a mistake or wish to make a suggestion for improvement, we look forward to hearing from you.

Send an e-mail to:

service@wiltec.info

or use our contact form:

<https://www.wiltec.de/contacts/>

The most recent version of this manual in various languages can be found in our online shop via:

<https://www.wiltec.de/docsearch>

Our postal address is:

WilTec Wildanger Technik GmbH
Königsbenden 12
52249 Eschweiler
Germany

To return orders for exchange, repair, or other purposes, please use the following address. Attention! To allow for a smooth execution of your complaint or return, it is important to contact our customer service team before returning the goods.

Returns Department
WilTec Wildanger Technik GmbH
Königsbenden 28
52249 Eschweiler

E-mail: **service@wiltec.info**

Tel: +49 2403 55592-0

Fax: +49 2403 55592-15

Introduction

Thank you for purchasing this quality product. **To minimise the risk of injury we urge that our clients take some basic safety precautions when using this device. Please read the operation instructions carefully and make sure you have understood its content.**

Keep these operation instructions safe.








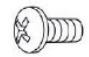







Specific safety instructions

- The electric grill spit is only suitable for ball grills with a diameter of 57 cm.
- Make sure that the electric motor is never exposed to rain, moisture, or splashes.
- Grill spits and forks are pointed. Be careful not to hurt yourself.
- Use grill gloves when working with the hot grill spit.

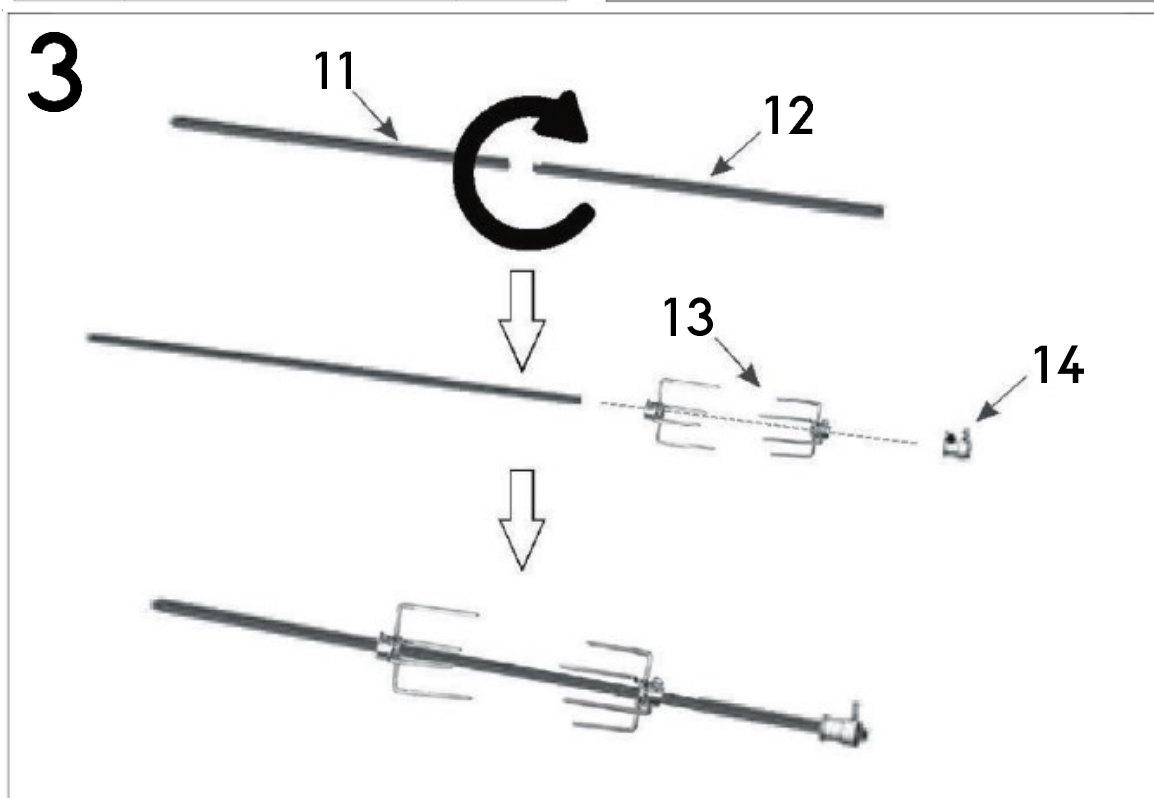
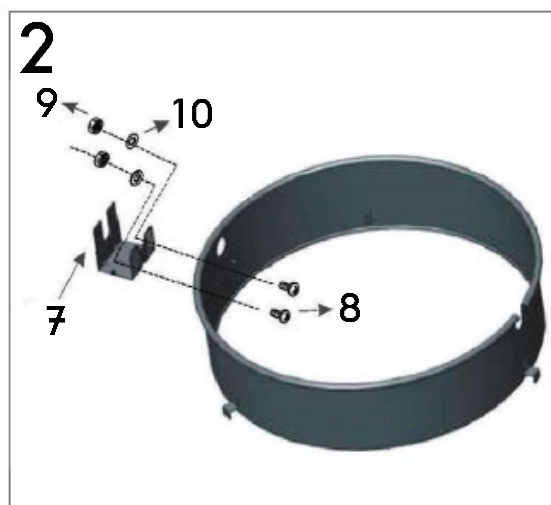
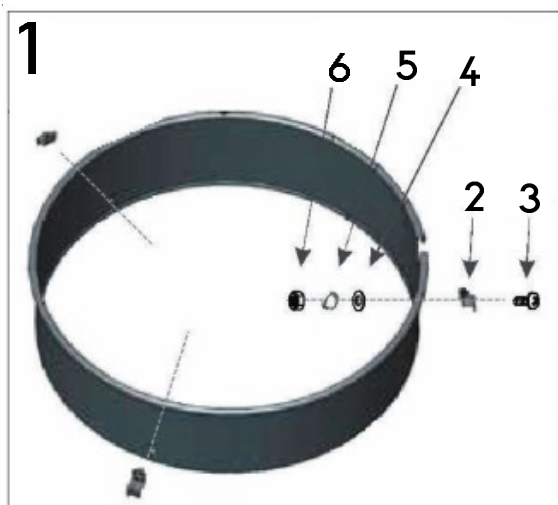
Technical specifications

Power supply	230 V~50 Hz
Power (W)	4
Fire ring diameter (cm)	55
Fire ring height (cm)	16
Fire ring material thickness (mm)	0.8
Fire ring material	Enamelled steel
Spit and fork material	Chromed steel

Parts list

			
1. Fire ring	2. Fitting	3. Screw M6x12	4. Washer M6
			
5. Spring washer M6	6. Nut M6	7. Motor bracket	8. Screw M5x20
			
9. Nut M5	10. Washer M5	11. Spit left part	12. Spit right part
			
13. Meat fork	14. Roller	15. Electric motor	

Assembly





1. Fasten the three fittings (2) each with a screw (3), a washer (4), a spring washer (5) and a nut (6) on the fire ring (1).
2. Fasten the motor bracket (7) to the fire ring (1) with two screws (8), two washers (10) and two nuts (9).
3. Put the two parts of the spit (11, 12) together.
4. Your grill spit is now ready to use.

Commissioning

1. Light the grill.
2. Place the electric motor in the motor bracket and connect it to a socket.
3. Place the fire ring on the lower part of the grill.
4. Attach a meat fork (13) to the spit and screw it in the desired position using the wing nut.
5. Spear a piece of meat with the fork so that it is held by one end.
6. Attach the second meat fork to the spit and push it so that the meat piece is held on both sides. Tighten the fork in this position with a wing screw.
7. Slide the roller onto the spit and screw it onto it.
8. Insert one end of the spit into the appropriate place in the electric motor.
9. Place the other end of the spit so that the roll rests on the edge of the fire ring.
10. Place the grill lid on the fire ring.
11. Switch on the electric motor.



Cleaning and maintaining

- Clean the spit and forks after each use.
- It is best to clean the individual parts when they are still a little warm.
- Wash the parts in lukewarm water with a little washing-up liquid. Use a brush or sponge to remove any burnt meat rests.
- Carefully dry all parts before storing them.
- If necessary, lubricate the parts with a small amount of cooking oil.
- Clean the fire ring with a damp cloth.

Disposal regulations

EU guidelines regarding the disposal of scrap electric appliances (WEEE, 2012/19/EU) were implemented in the law related to electrical and electronic equipment and appliances.

All WiITec electric devices that fall under the WEEE regulations are labelled with the crossed-out wheeled waste bin logo. This logo indicates that this electric equipment must not be disposed with the domestic waste.

The company WiITec Technik GmbH has been registered in the German registry EAR under the WEEE-registration number DE45283704.

Disposal of used electrical and electronic appliances (intended for use in the countries of the European Union and other European countries with a separate collection system for these appliances).

The logo on the article or on its packaging points out that this article must not be treated as normal household waste but must be disposed to a recycling collection point for electronic and electrical waste equipment. By contributing to the correct disposal of this article you protect the environment and the health of your fellow men. Environment and health are threatened by inappropriate disposal.



Material recycling helps reduce the consumption of raw materials.

Additional information on recycling this article can be provided by your local community, municipal waste disposal facilities, or the store where you purchased the article.

Address:
WiITec Wildanger Technik GmbH
Königsbenden 12 / 28
D-52249 Eschweiler

Important notice:

The reprint or reproduction, even of excerpts, and any commercial use, even in part, of this instruction manual require the written permission of WiITec Wildanger Technik GmbH.