

Operation Manual

Wire Rope Hoist Crane 600 kg

51813, 62676



Illustration similar, may vary depending on model

Read and follow the operating instructions and safety information before using for the first time.

Technical changes reserved!

Due to further developments, illustrations, functioning steps, and technical data can differ insignificantly.

Updating the documentation

If you have suggestions for improvement or have found any irregularities, please contact us.



The information contained in this document may alter at any time without previous notice. It is prohibited to copy or spread any parts of this document in any way without prior written allowance. All rights reserved.

The WilTec Wildanger Technik GmbH cannot be held accountable for any possible mistakes in this operating manual, nor in the diagrams and figures shown.

Even though, the WilTec Wildanger Technik GmbH has undergone biggest possible efforts to ensure that the operating manual is complete, faultless, and up to date, mistakes cannot be entirely avoided.

If you should find a mistake or wish to make a suggestion for improvement, we look forward to hearing from you.

Send an e-mail to:

service@wiltec.info

or use our contact form:

<https://www.wiltec.de/contacts/>

The most recent version of this manual in various languages can be found in our online shop via:

<https://www.wiltec.de/docsearch>

Our postal address is:

WilTec Wildanger Technik GmbH
Königsbenden 12
52249 Eschweiler
Germany

To return orders for exchange, repair, or other purposes, please use the following address. Attention! To allow for a smooth execution of your complaint or return, it is important to contact our customer service team before returning the goods.

Returns Department
WilTec Wildanger Technik GmbH
Königsbenden 28
52249 Eschweiler

E-mail: **service@wiltec.info**

Tel: +49 2403 55592-0

Fax: +49 2403 55592-15



Introduction

Thank you for purchasing this quality product. **To minimise the risk of injury we urge that our clients take some basic safety precautions when using this device. Please read the operation instructions carefully and make sure you have understood its content.**

Keep these operation instructions safe.

Robust swivelling arm as a holder for cable hoists as well as for all common electric cable winches and cable hoists.

If the swivel arm has an extension length of 750 mm, the load should be less than 600 kg. If the extension length is 1100 mm, the load should be less than 250 kg.

The rotation angle range of the cantilever is -45° to $+45^{\circ}$.

Safety instructions

Warning!

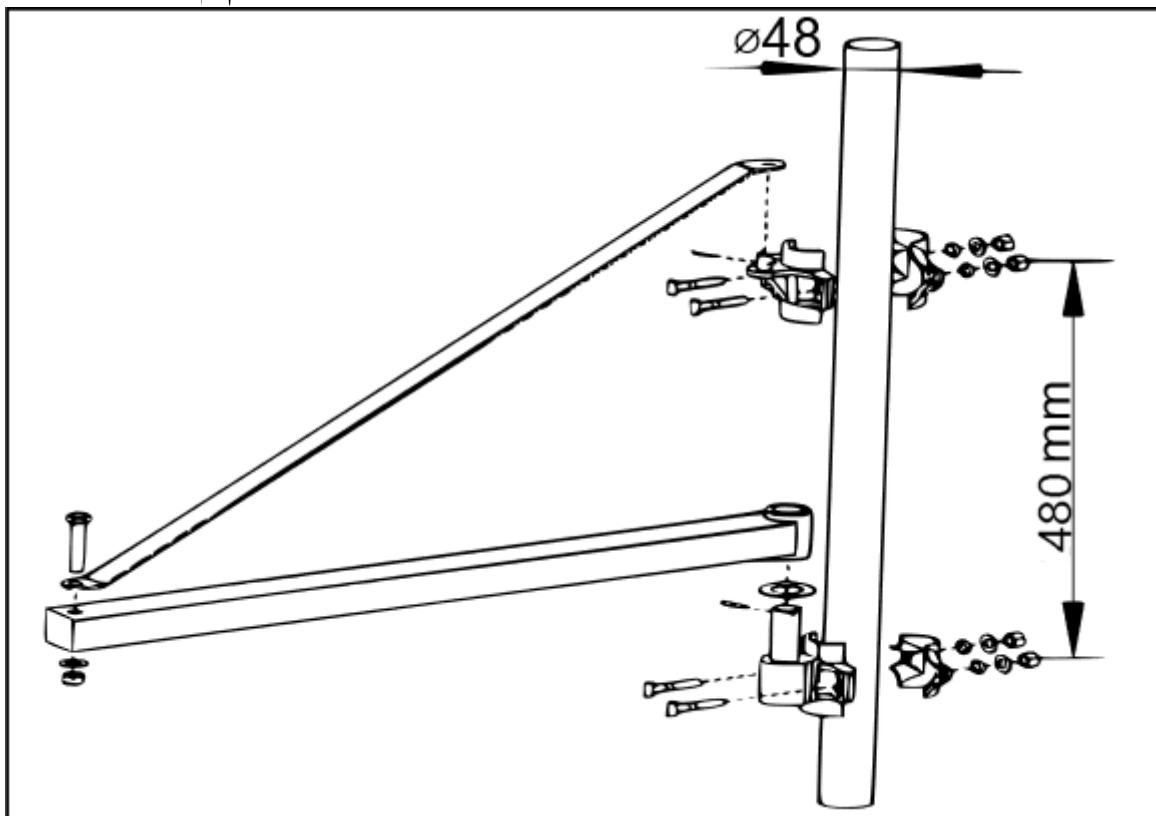
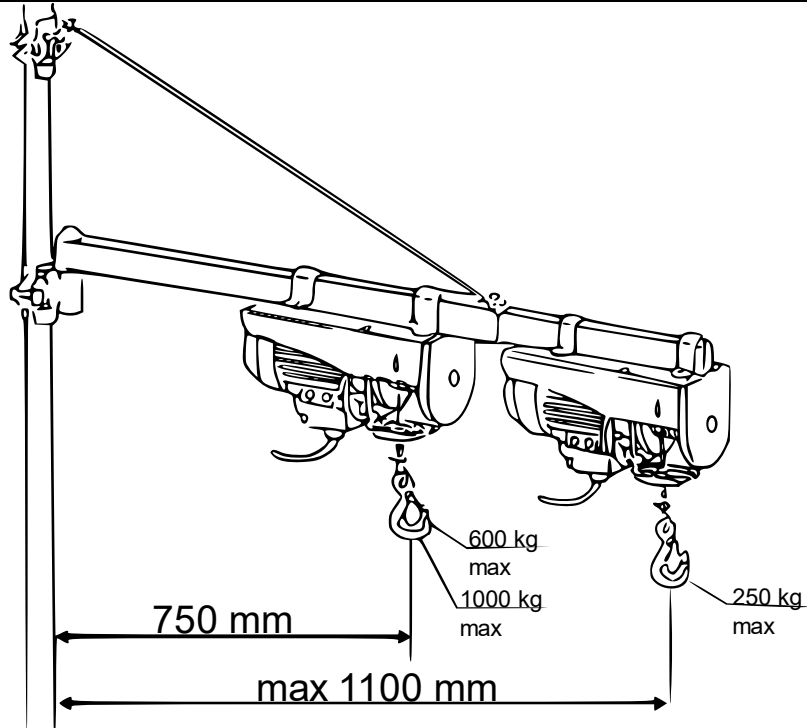
- Regularly check the supporting steel tube to ensure that it does not wobble or bend. Regularly check all structural parts to ensure there is no damage or cracks.
- Do not exceed the maximum load capacity.
- Do not load people.
- Do not stand under the hoist.
- Hoists should not be operated by persons who have no knowledge of the operation or safety of the products. Installation and operation must be carried out by qualified persons.
- It is strictly forbidden to use two electric wire rope hoists at the same time for slinging or carrying a weight.

Maintenance

After use, check each part of the stand to ensure that it is not damaged and that the fixing screw is not loose, especially the clamping screw.

Installation and operation

1. The installed pipe should sit vertically on the supporting steel pipe with an outer diameter of 48 mm and a wall thickness of 6 mm. The surface of the supporting steel pipe should be rough, not smooth or painted to increase friction. In any case, make sure that the \varnothing 48 mm tube is vertical and strong.
2. Check each part of the rack carefully to make sure they are not damaged and are complete.
3. The assembly must correspond to the illustration. When the screw for the permanent seat and the cover plate is tightened, the torque should be checked to about 70 Nm.
4. Select the appropriate hoist and make sure that the cantilever is firmly seated during installation and cannot slip. The rubber block must be used on the additional outrigger to prevent the cable from slipping (see picture).
5. After installation, please perform the up and down test without load and the 45° left and right rotation test at least 2 times, then slowly add the load capacity to the rated capacity.
6. After the test, please tighten the screw and adjust the torque.



Important notice:

The reprint or reproduction, even of excerpts, and any commercial use, even in part, of this instruction manual require the written permission of WilTec Wildanger Technik GmbH.