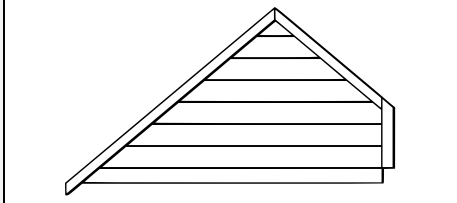
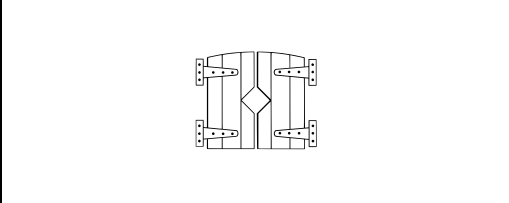
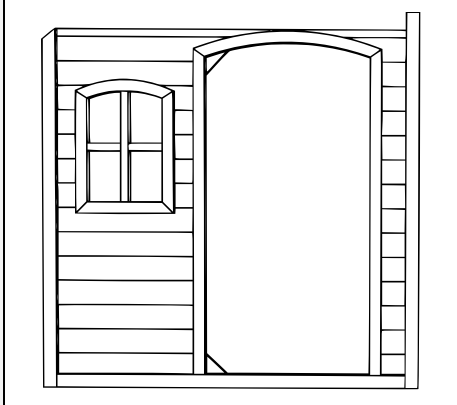
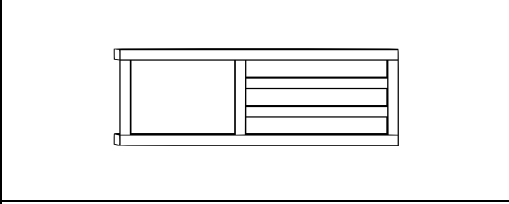
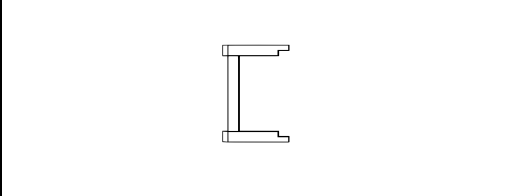
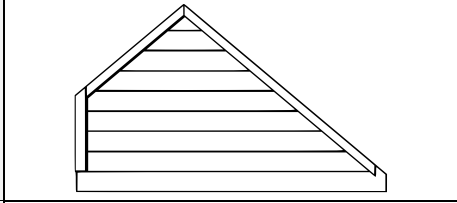
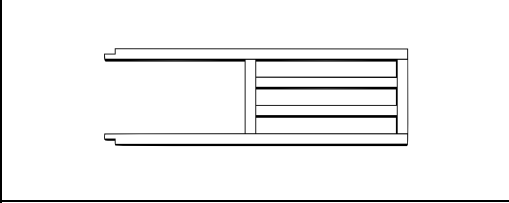
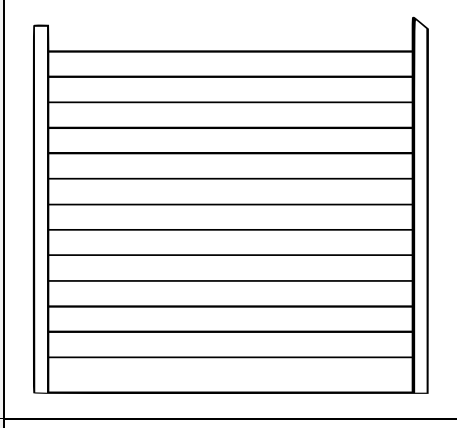
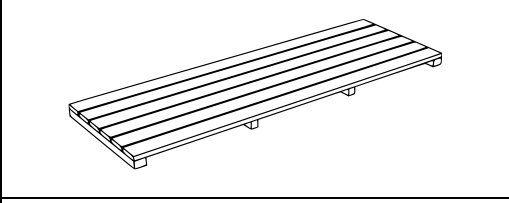
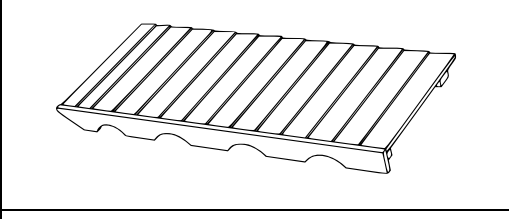
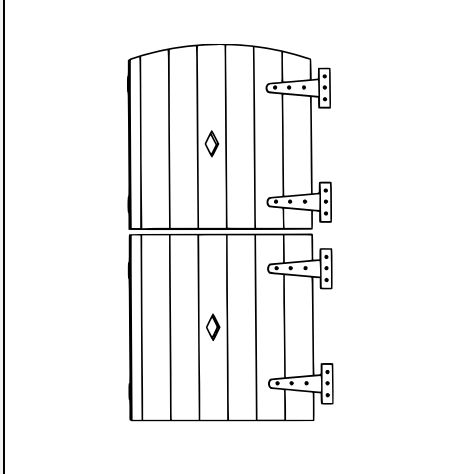
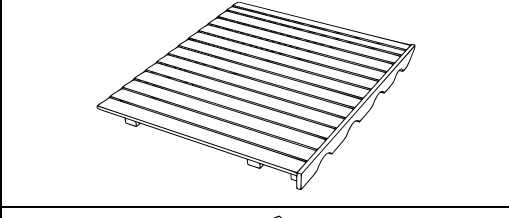
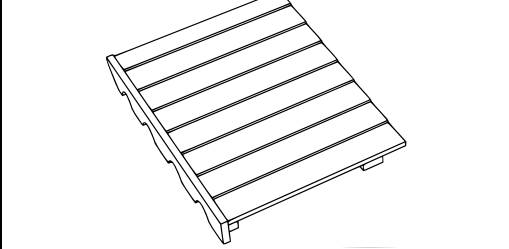


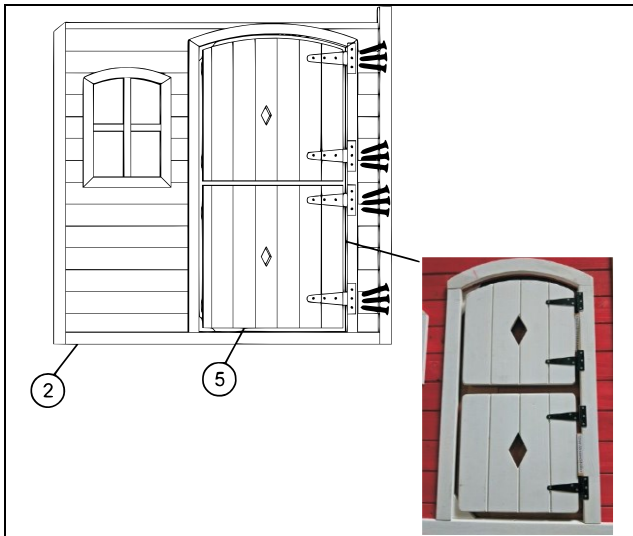


No	Figure	Qty.	No	Figure	Qty.
1		1	10		2
2		1	11		1
			12		1
3		1	13		1
4		1	14		1
			15		1
5		1	16		1
			17		1



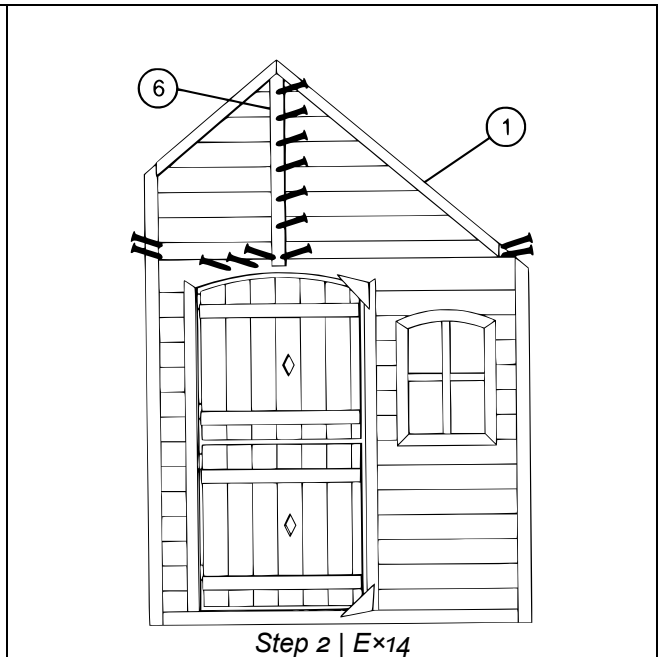
6		1		1	18		1
7		1			19		1
8		1			20		1
					21		2
					22		2
					23		2
					24	13-mm-Abstandhalter (13-mm spacer)	2
					9		1

A	B	C	D	E	F	G	H	I
3.5×60	3.5×50	3.0×30	3.0×25	3.0×20	3.0×16	3.5×24		
4	26	14	16	39	36	8	8	4

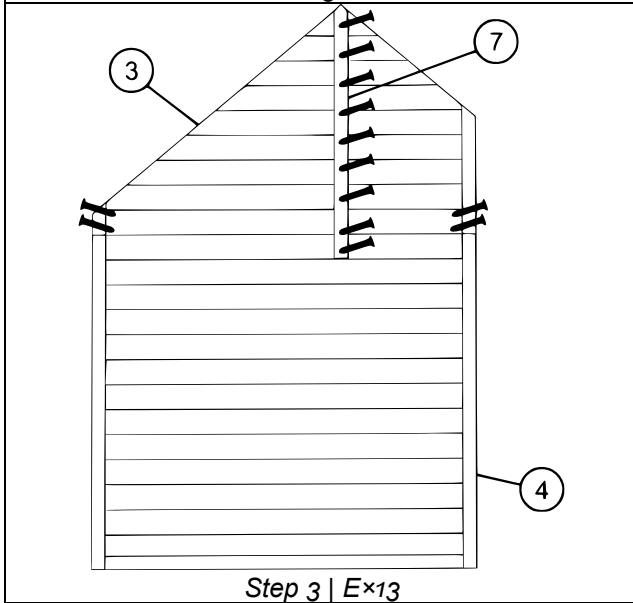


Step 1 | F×12

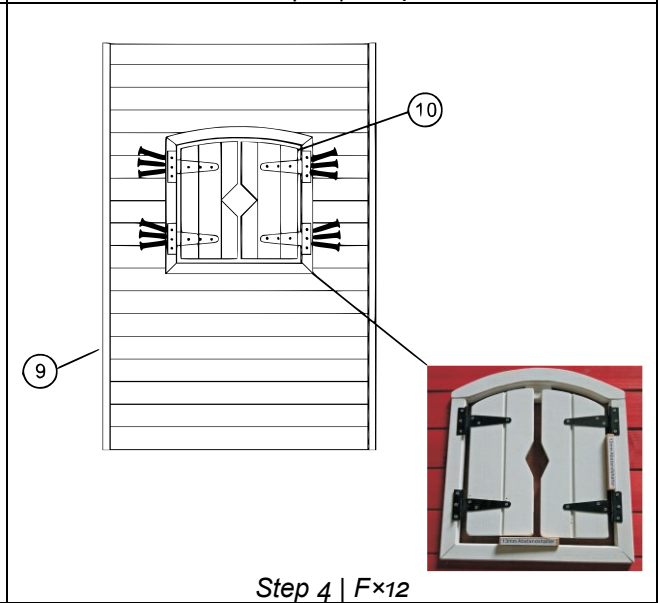
Please note that a 13-mm gap is left free when assembling the door and window to avoid later pinching.



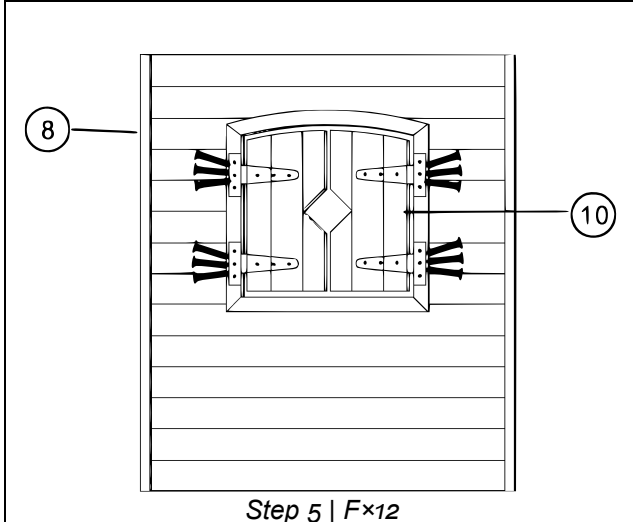
Step 2 | E×14



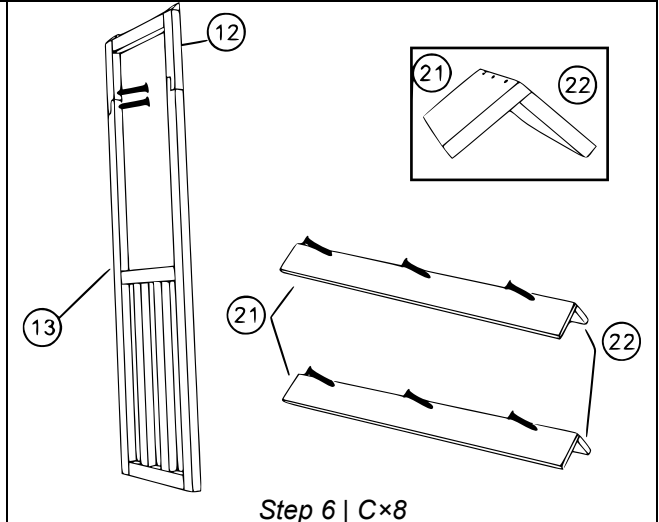
Step 3 | E×13



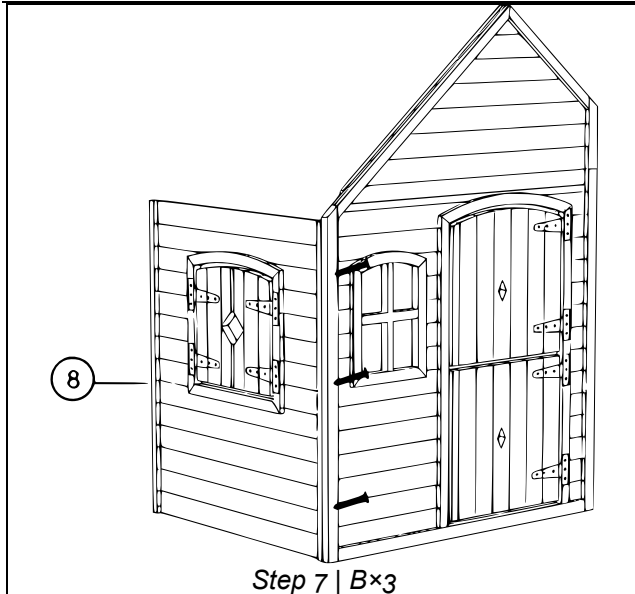
Step 4 | F×12



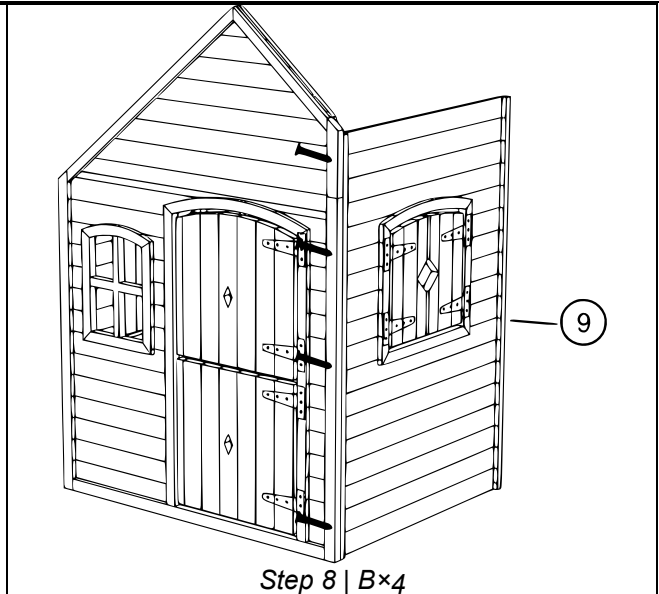
Step 5 | F×12



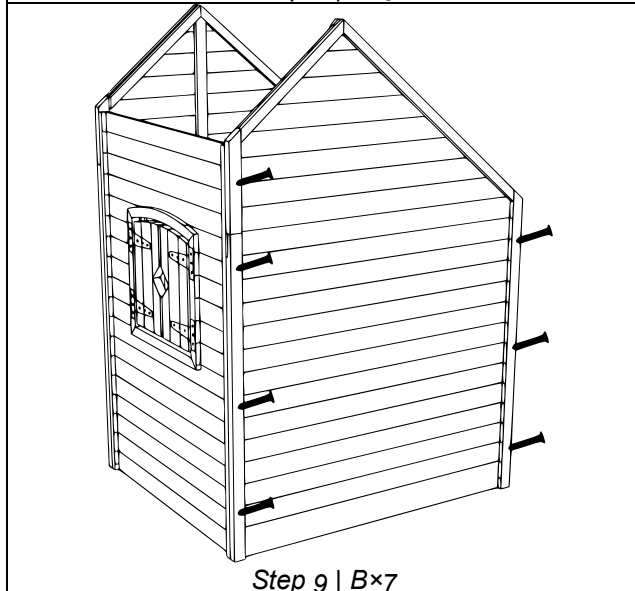
Step 6 | C×8



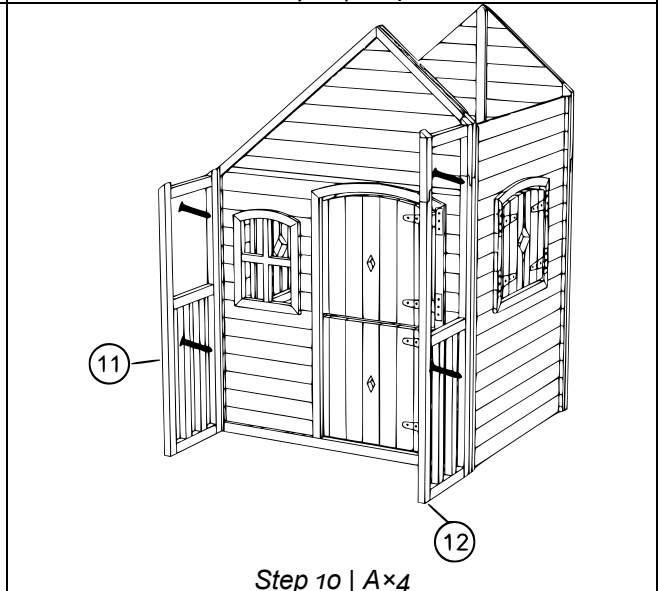
Step 7 | B×3



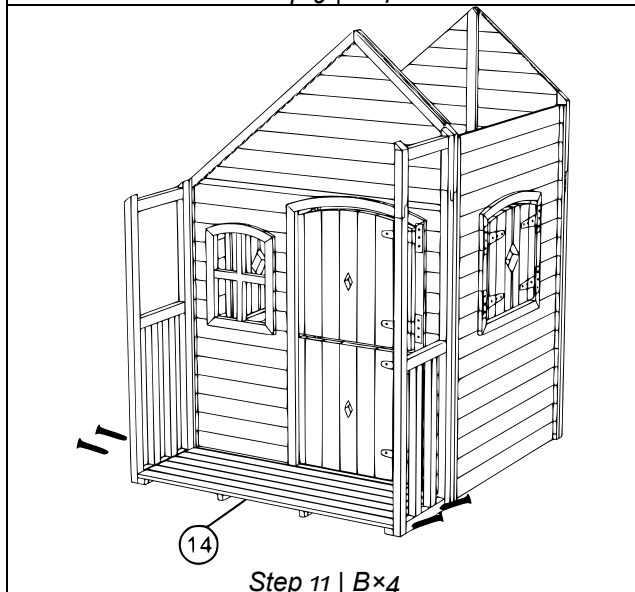
Step 8 | B×4



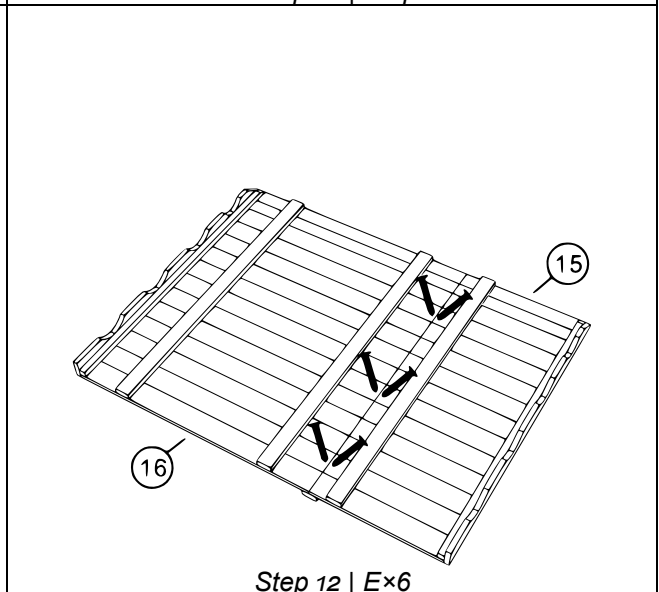
Step 9 | B×7



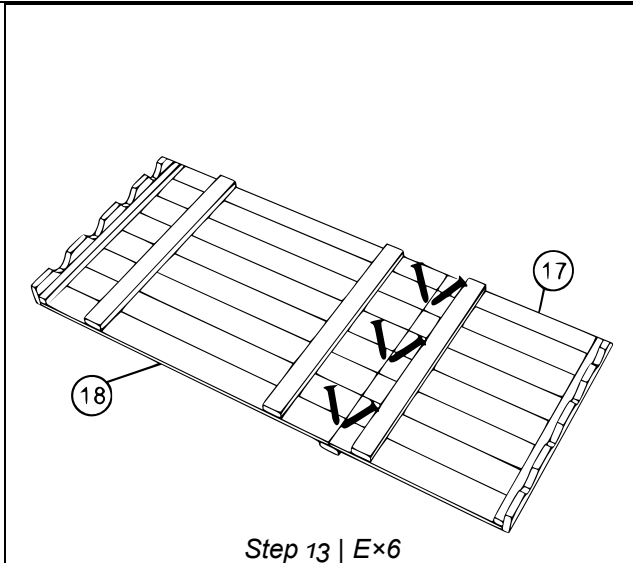
Step 10 | A×4



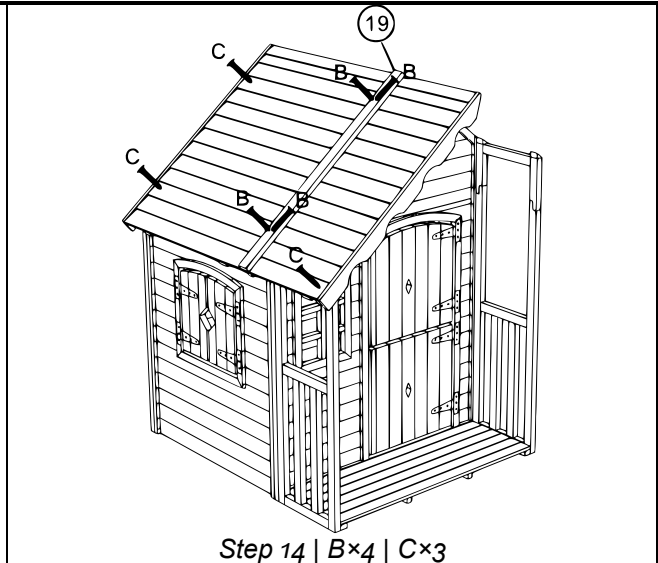
Step 11 | B×4



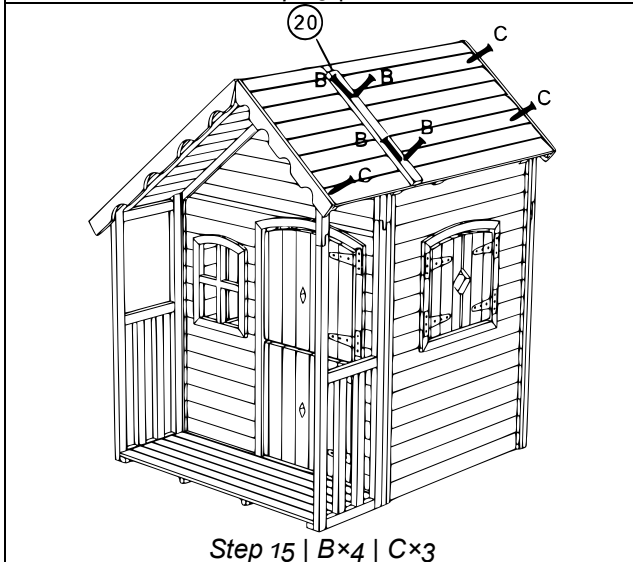
Step 12 | E×6



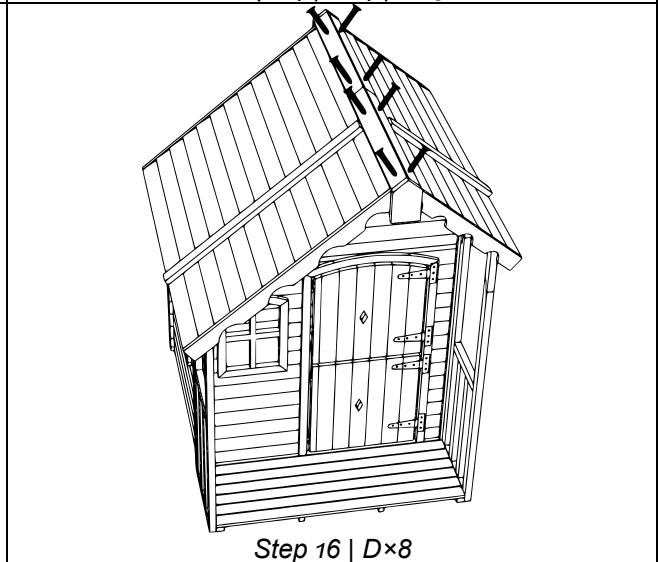
Step 13 | E×6



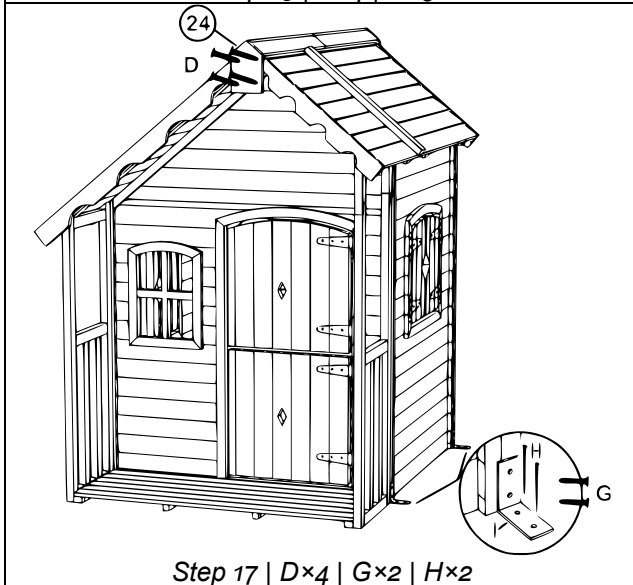
Step 14 | B×4 | C×3



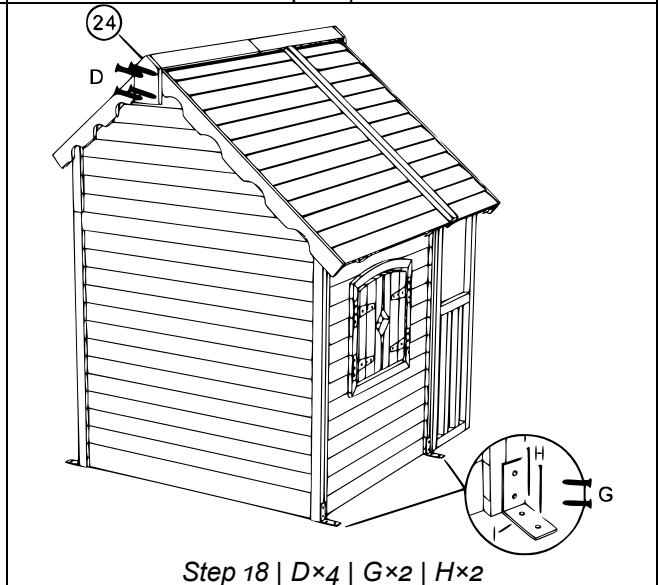
Step 15 | B×4 | C×3



Step 16 | D×8



Step 17 | D×4 | G×2 | H×2



Step 18 | D×4 | G×2 | H×2

Important notice:

The reprint or reproduction, even of excerpts, and any commercial use, even in part, of this instruction manual require the written permission of WilTec Wildanger Technik GmbH.