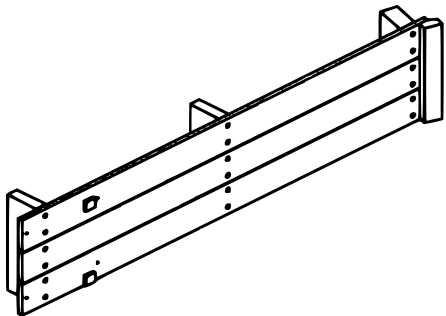
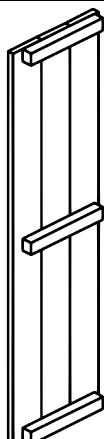
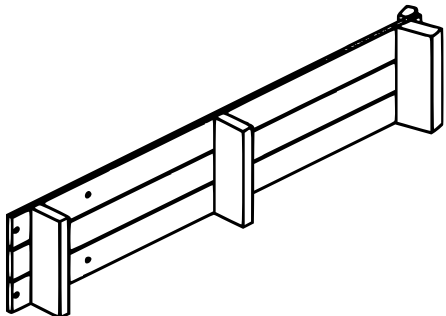
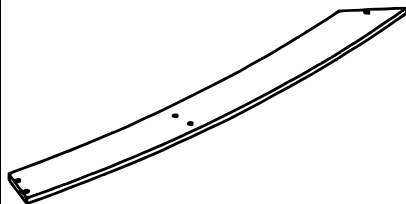
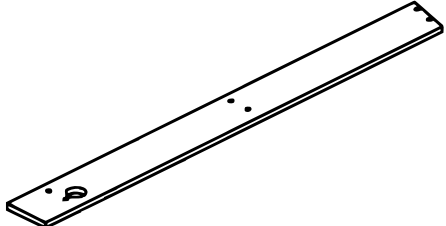
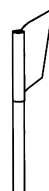
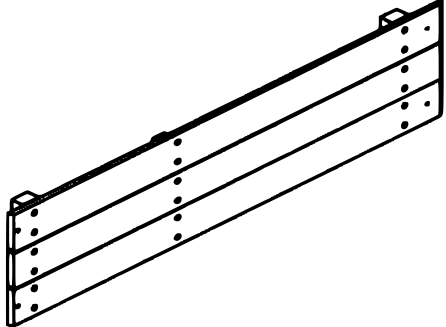



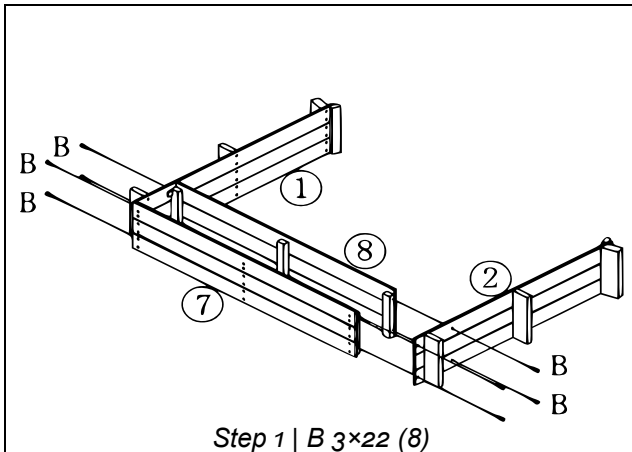


**⚠ Attention!** The boat may only be assembled by an adult. Keep the individual parts, especially small parts and sharp parts such as screws, out of children's reach until the boat is fully assembled!

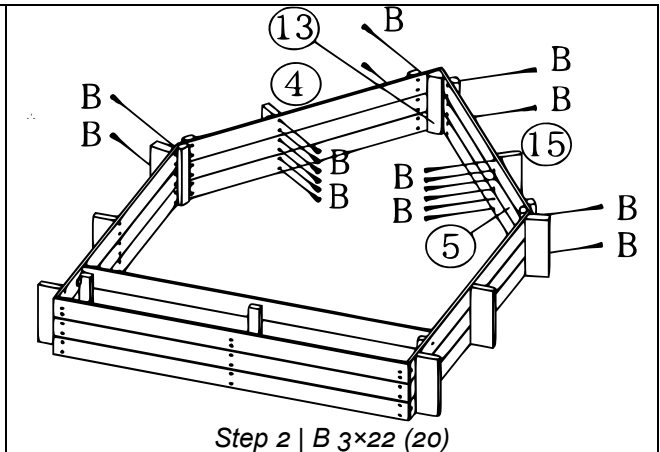
No	Figure	Qty.	No/Letter	Figure	Qty.
1		1	10		1
2		1	11		1
3		1	12		1
4		1	13		1



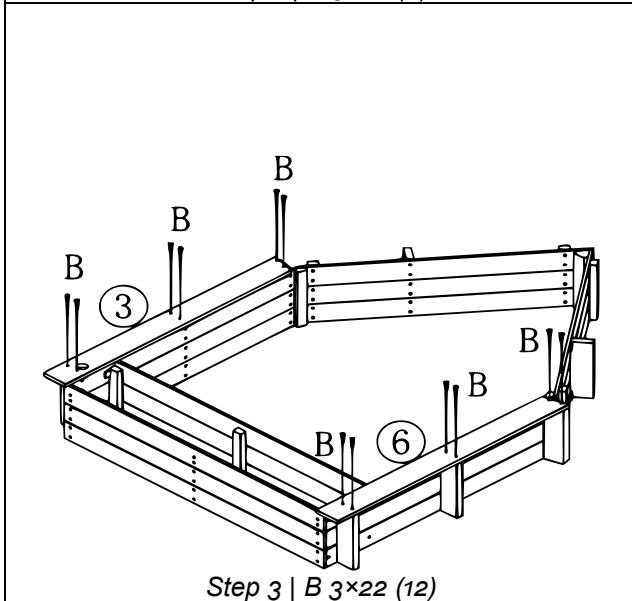
5		1	14		
6		1	15		2
7		1	A	<p>3.5x30</p>	2
8		1	B	<p>3x22</p>	50
9		1			



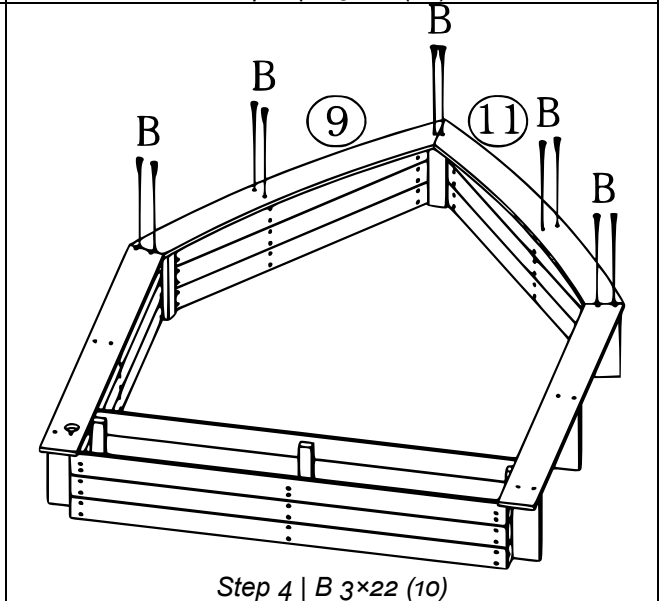
Step 1 | B 3×22 (8)



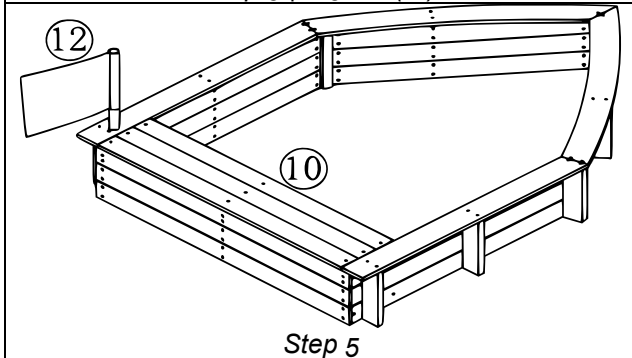
Step 2 | B 3×22 (20)



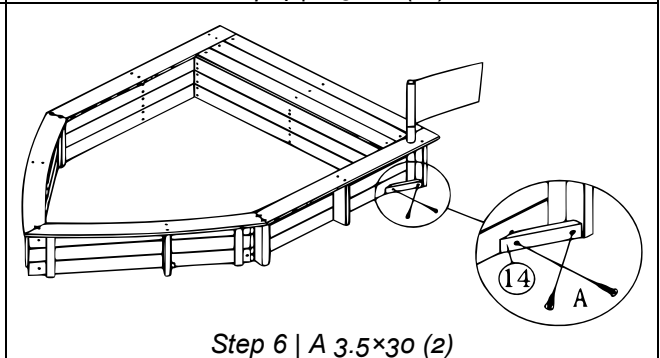
Step 3 | B 3×22 (12)



Step 4 | B 3×22 (10)



Step 5



Step 6 | A 3.5×30 (2)

**Clear the decks, lift the anchor, set sails!**

**Important notice:**

The reprint or reproduction, even of excerpts, and any commercial use, even in part, of this instruction manual require the written permission of WilTec Wildanger Technik GmbH.