

Instruction Manual

Sandpit Boat

51831

toboli



Illustration similar, may vary depending on model

Please read and follow the operating instructions and safety information prior to initial operation.

Technical changes reserved!

Illustrations, functional steps, and technical data may deviate insignificantly due to continuous further developments.



The information contained in this document may alter at any time without prior notice. No part of this document may be copied or otherwise duplicated without prior written consent. All rights reserved. WilTec Wildanger Technik GmbH cannot be held liable for any possible mistakes in this operating manual, nor in the diagrams and illustrations shown.

Although WilTec Wildanger Technik GmbH has made every possible effort to ensure that this operating manual is complete, accurate, and up-to-date, errors cannot be ruled out entirely.

If you have found an error or wish to suggest an improvement, we look forward to hearing from you. Send us an e-mail to:

service@wiltec.info

or use our contact form:

<https://www.wiltec.de/contacts/>

The most recent version of this manual in several languages can be found in our online shop:

<https://www.wiltec.de/docsearch>

Our postal address is:

WilTec Wildanger Technik GmbH
Königsbenden 12
52249 Eschweiler Germany

To return your goods for exchange, repair, or other purposes, please use the following address. Attention! To allow for a trouble-free complaint or return, it is important to contact our customer service team before returning your goods.

Retourenabteilung
WilTec Wildanger Technik GmbH
Königsbenden 28
52249 Eschweiler Germany

E-mail: **service@wiltec.info**
Phone: +49 2403 55592-0
Fax: (+49 2403 55592-15)



Introduction

Thank you for choosing to purchase this quality product. To minimise the risk of injury, we ask you to always take some basic safety precautions when using this product. Please read this operating manual carefully and make sure that you understand it.

Keep these operation instructions in a safe place.

General remarks

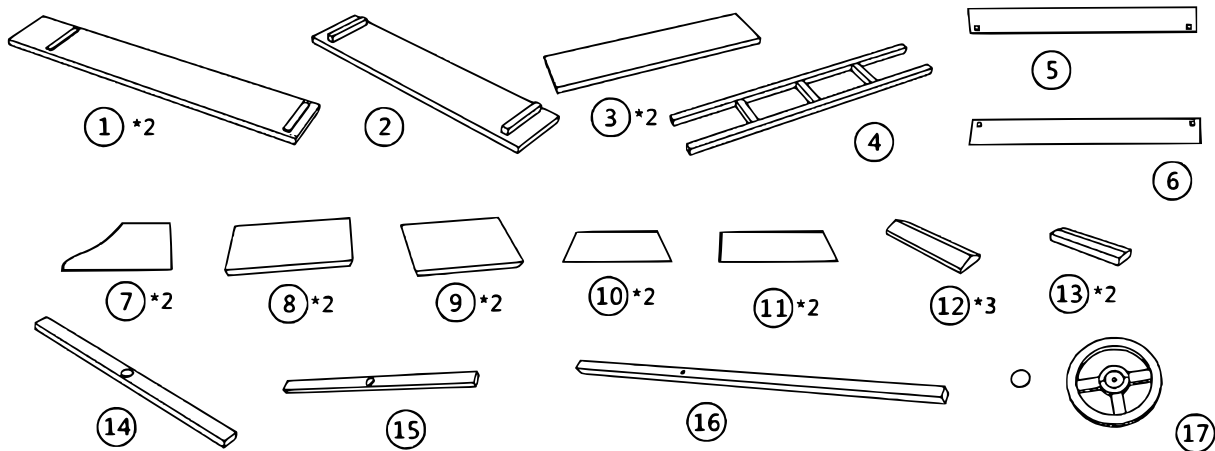
The black fleece included in the scope of delivery is placed under the sandpit to avoid mixing of sand and ground and to allow flow-off of water.

Safety instructions

- Packing material is no toy. Make sure that it is kept out of children's reach. **Danger of suffocation!**
- The sandpit is only suitable for children between 3 and 8 years of age.
- After unpacking, check the individual pieces of the sandpit for damages. In case you remark damages on individual pieces, do not assemble the box, but contact the vendor first.
- After unpacking, wait 2 to 3 days and leave the pieces outside to allow them to adapt to environmental conditions. Thus, warping of the wood after assembly is avoided.
- Each improper use of the sandpit can lead to material damages and/or personal injuries. Therefore, check the sandpit for damages before each use. Do not use the sandpit if you detect damages, but have it repaired first.
- It is not allowed to modify the sandpit. Modifications will void warranty.
- In order to prevent damages of the sandpit during rainy weather, you should cover it with a suitable tight canvas (not included).
- During winter, keep the sandpit at a dry and safe place.
- Renew the sand in regular intervals (sand not included).
- Have an expert perform repairs.
- During assembly, wear protective gloves, protective goggles, and safety shoes.
- Mounting material like nails or screws must not protrude from the wood. Make sure that they are always flush with the wooden parts of the sandpit.
- During assembly of the sandpit, children and persons with reduced physical, sensory, or mental abilities must be kept from the sandpit.
- For safety reasons and to avoid personal injuries, file off sharp edges with a suitable abrasive.

Parts

Wooden parts



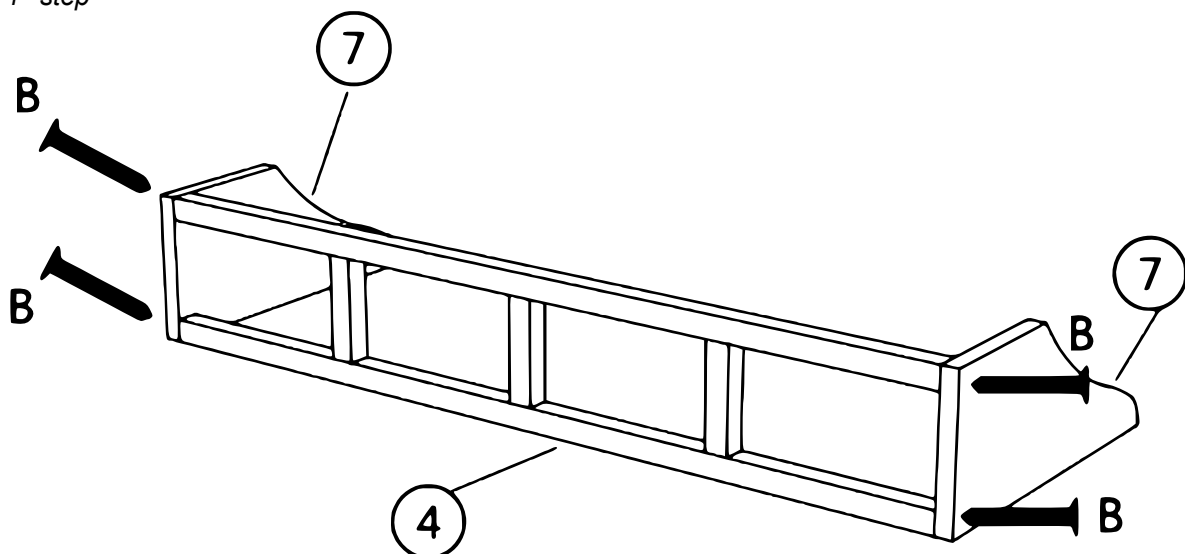
Mounting material

Nº	Figure	Qty.	Nº	Figure	Qty.
A	3.5×50	2	E		1
B	3.5×40	36	F		3
C	3.5×35	4	G		1
D	3.5×30	24			

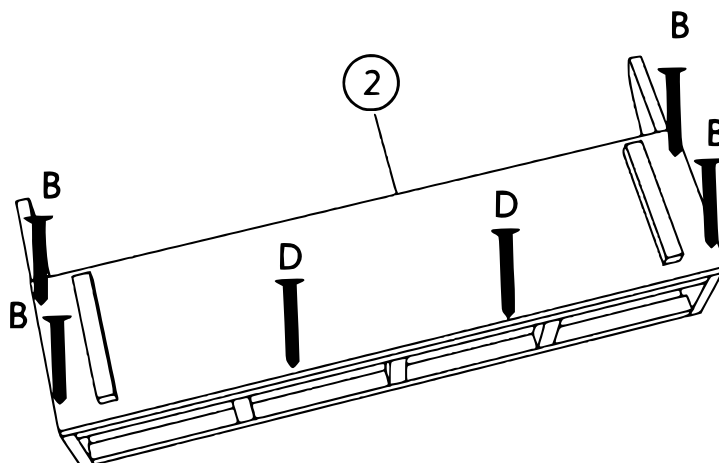
Assembly drawings

To mount the sandpit, you will need an additional hammer.

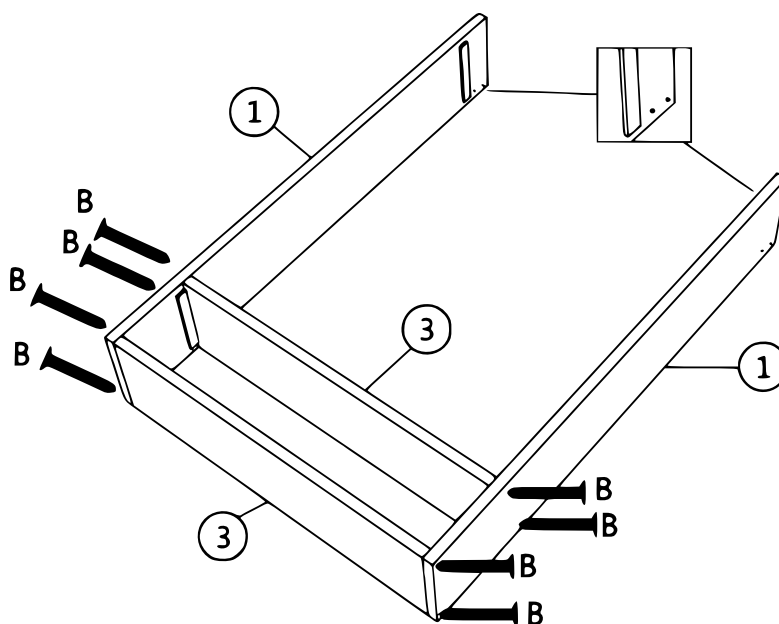
1st step



2nd step

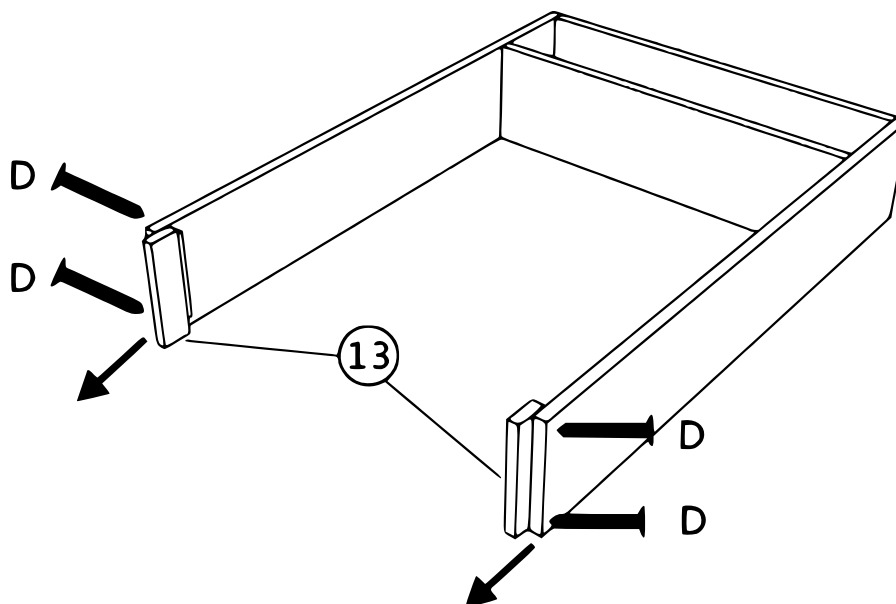


3rd step



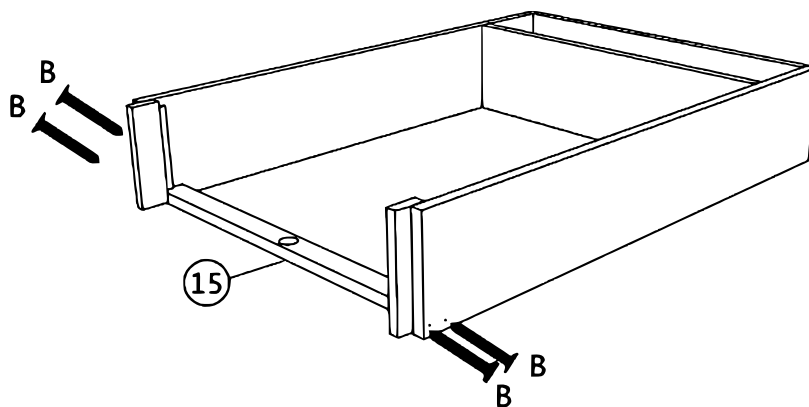
! Make sure that the predrilled holes point downwards.

4th step

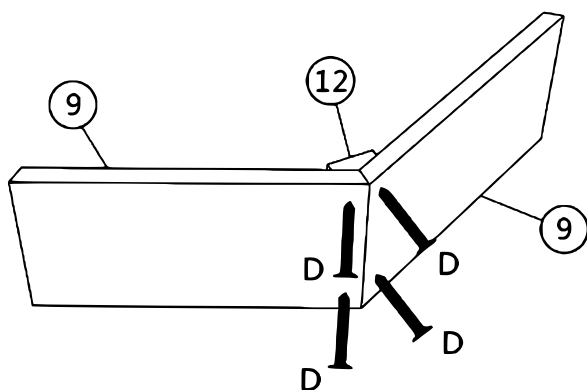


! The arrows point towards the prow.

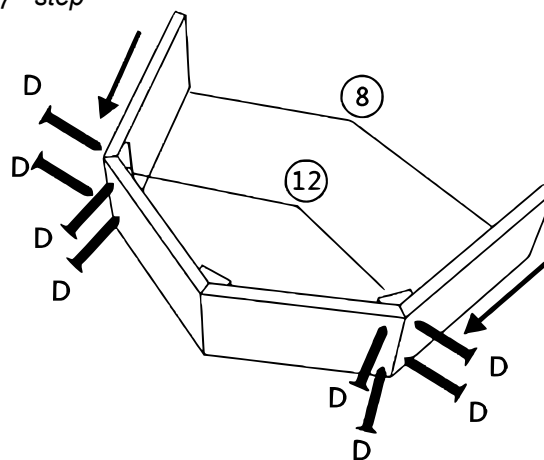
5th step



6th step

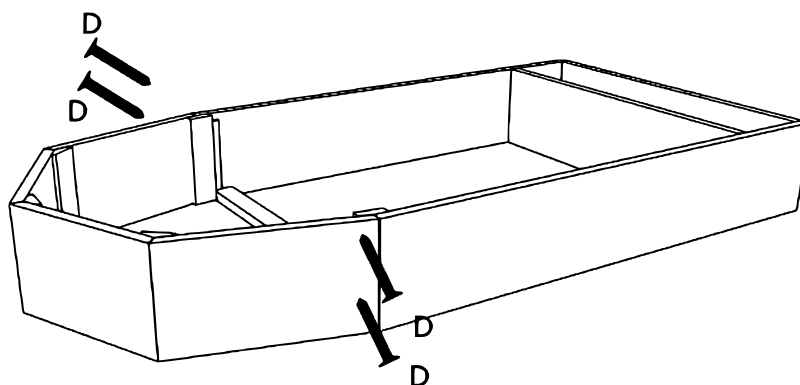


7th step

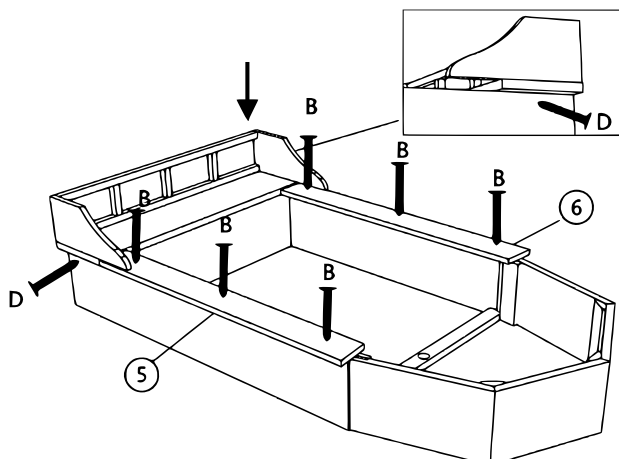


The arrows point towards the prow.

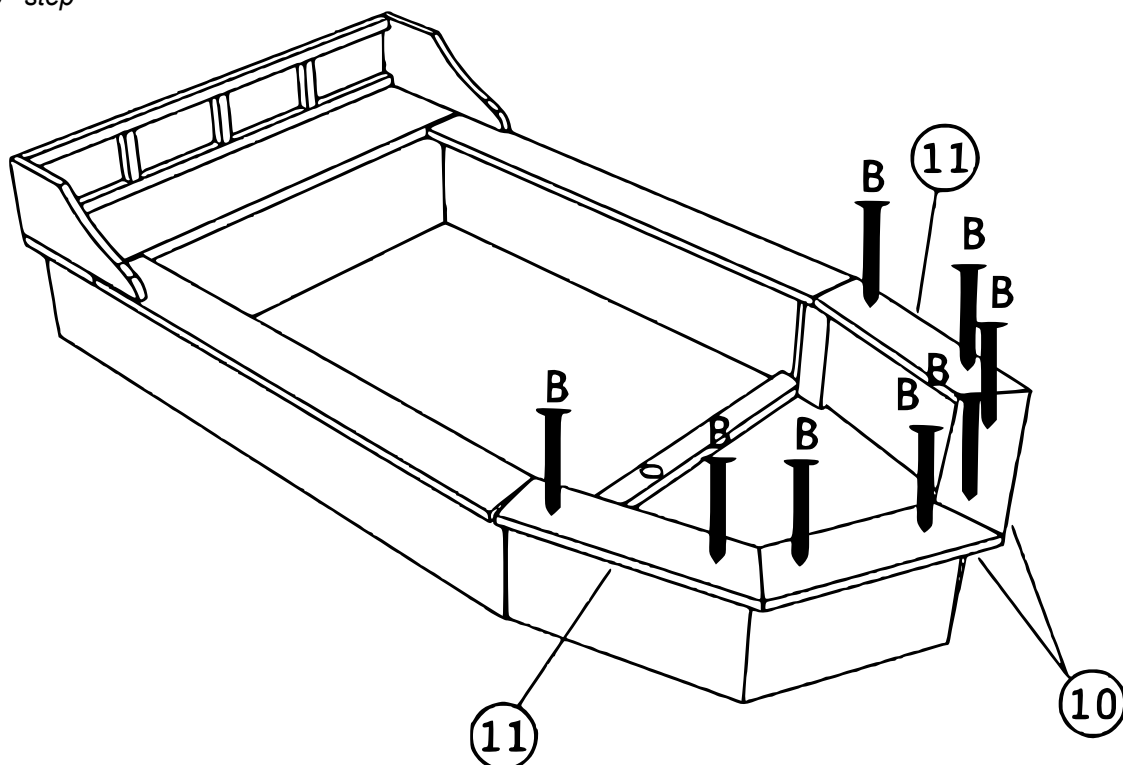
8th step



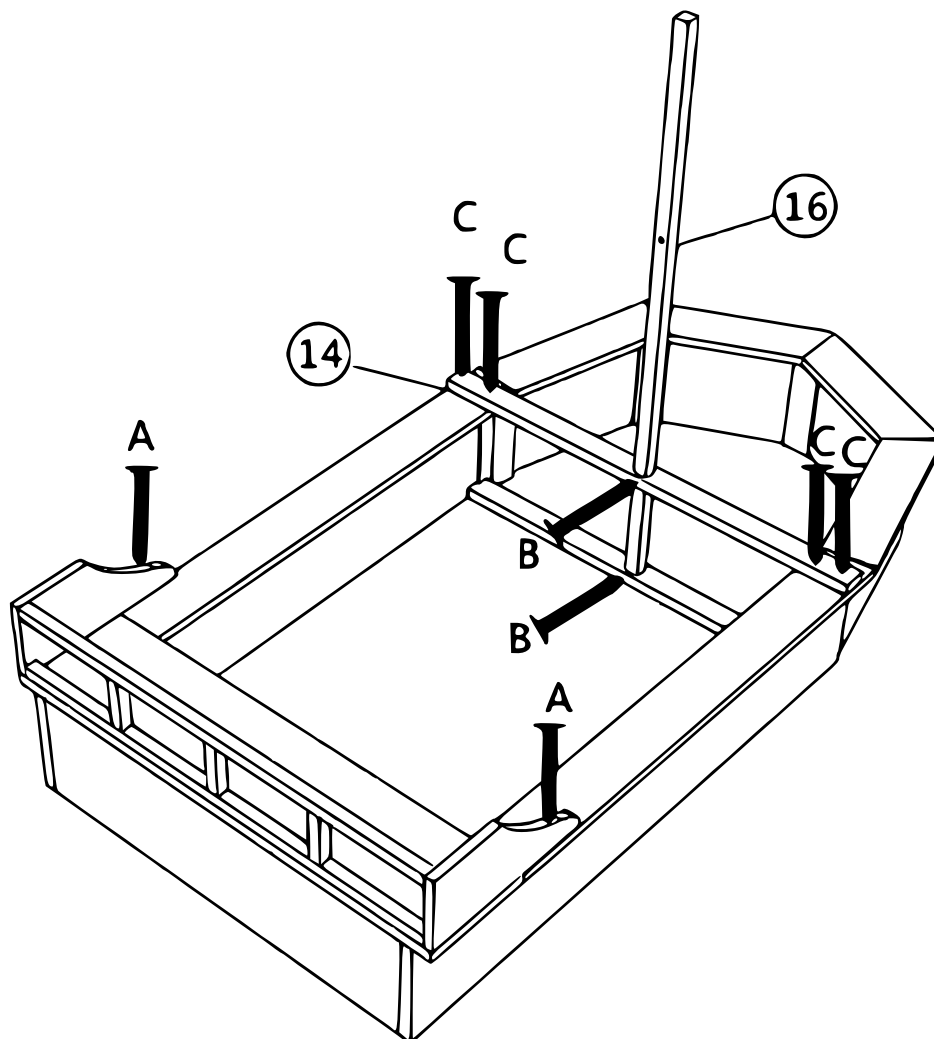
9th step



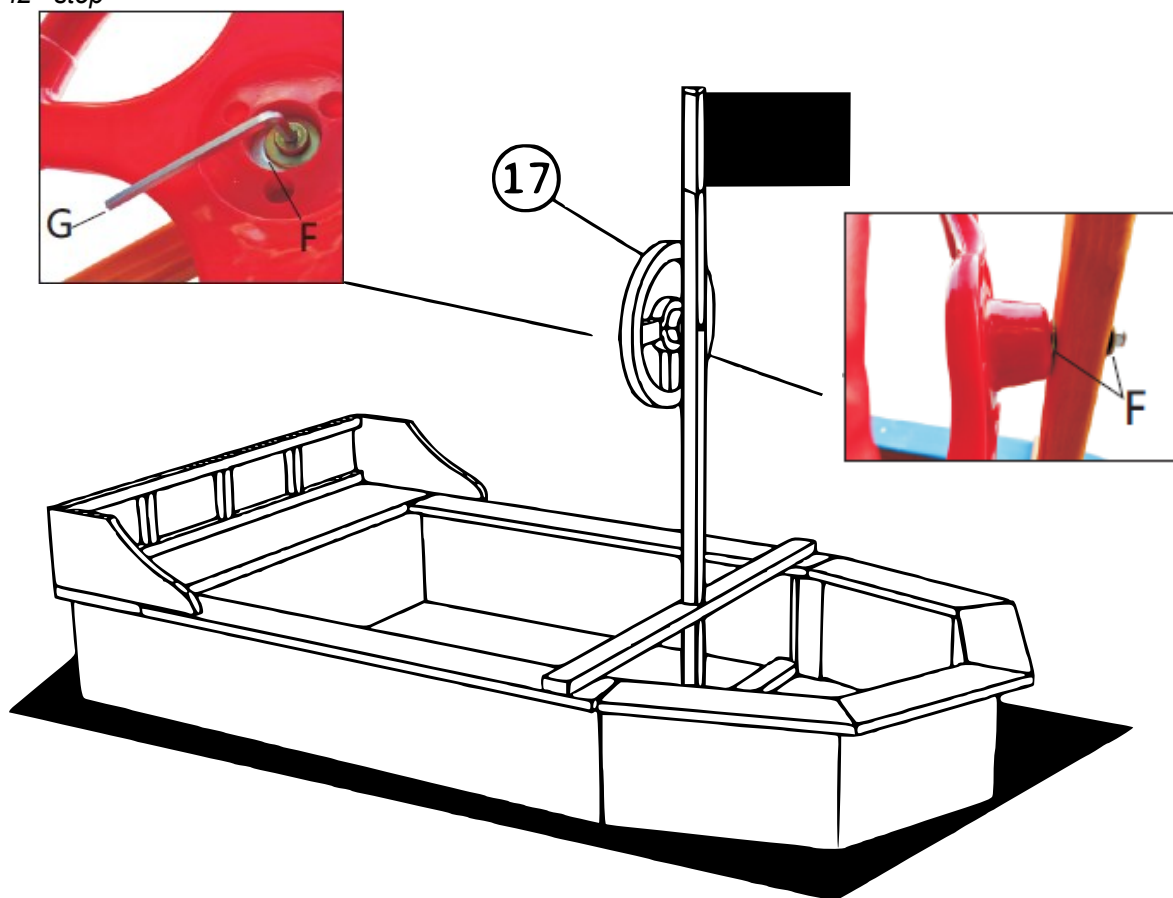
10th step



11th step



12th step



**Ahoy!
Clear for sailing!
All landsmen may disembark!**

Important Note:

Reproduction and any commercial use (of parts) of this operating manual, requires a written permission of WilTec Wildanger Technik GmbH.