



No	Figure	Qty.	No	Figure	Qty.
1		1	8		4
2		1	9		1
3		1	10		1
4		1	11		2
5		2	12		1
6		2	13		1



7		2	14		1
---	--	---	----	--	---

A	B	C	D	E	F
 3.5×50 8+1	 3.5×40 16+1	 3.5×35 24+1	 3.0×25 12+1	 3.0×16 2	 6.0×20 20

Step 1

F×4

Step 2

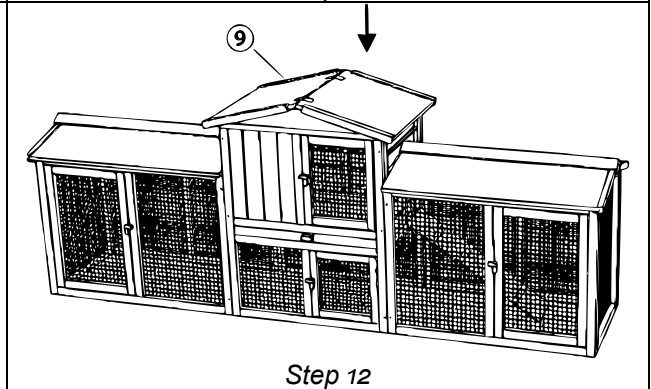
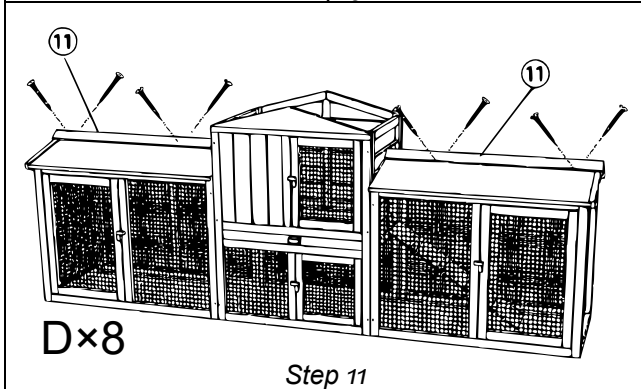
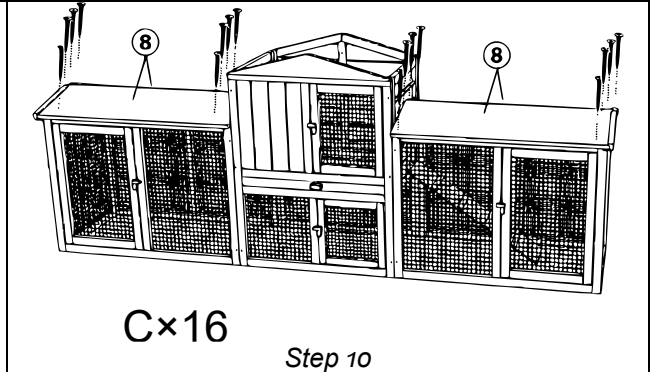
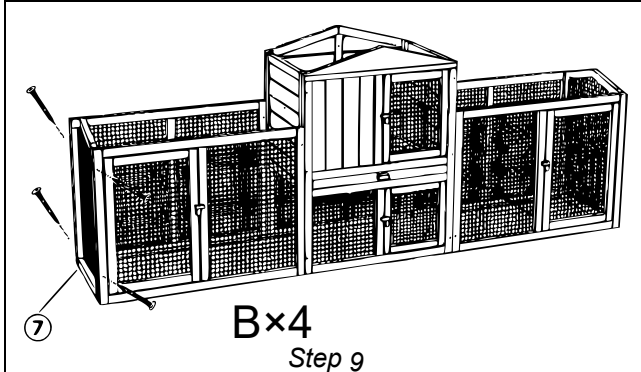
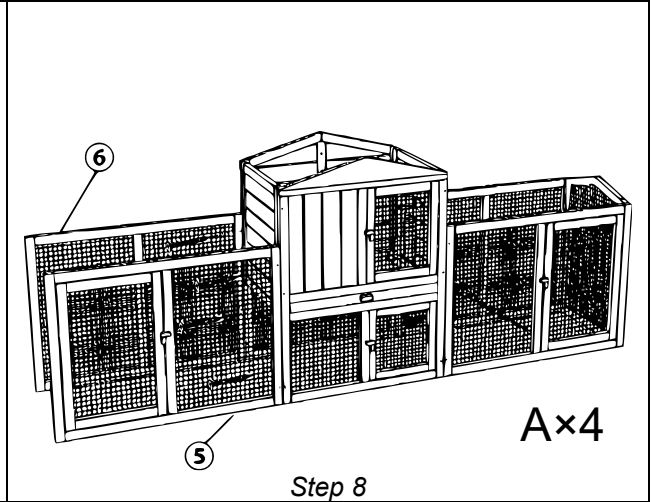
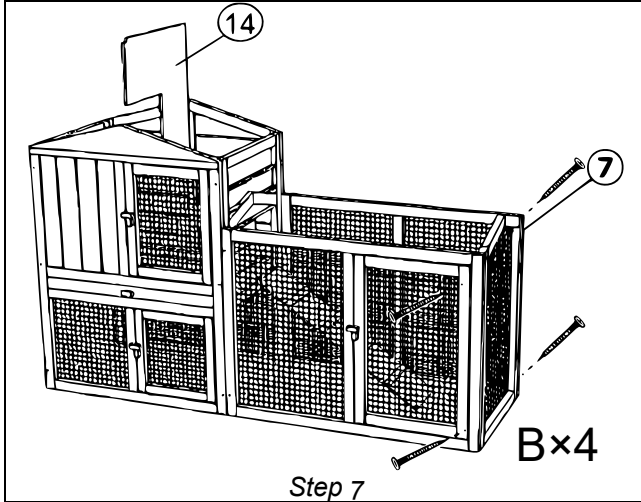
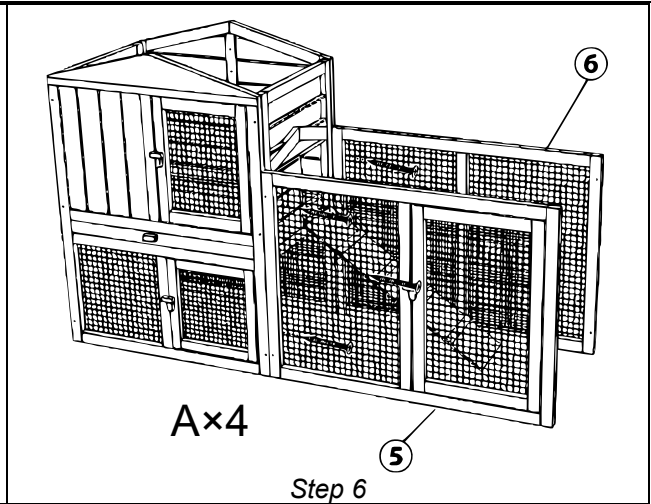
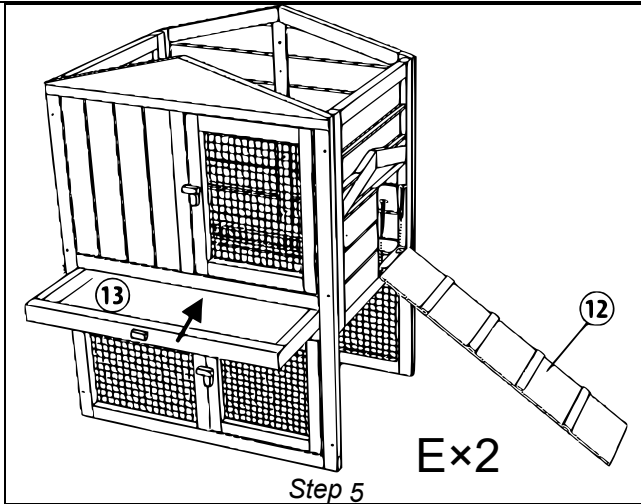
F×16

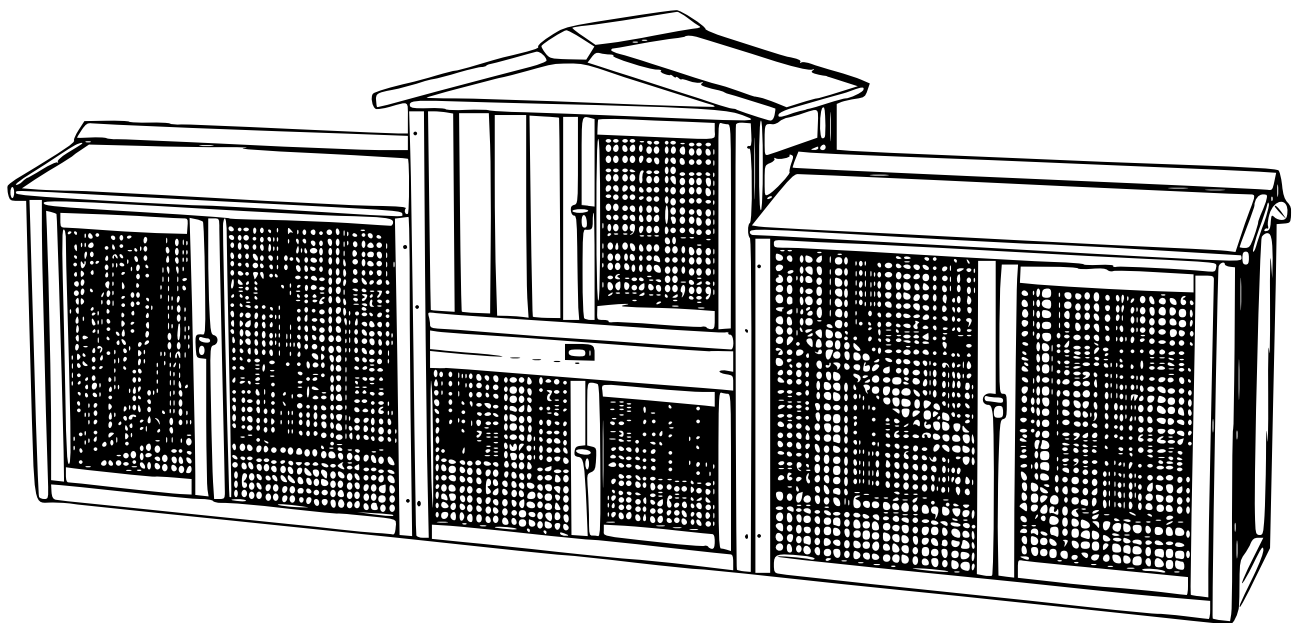
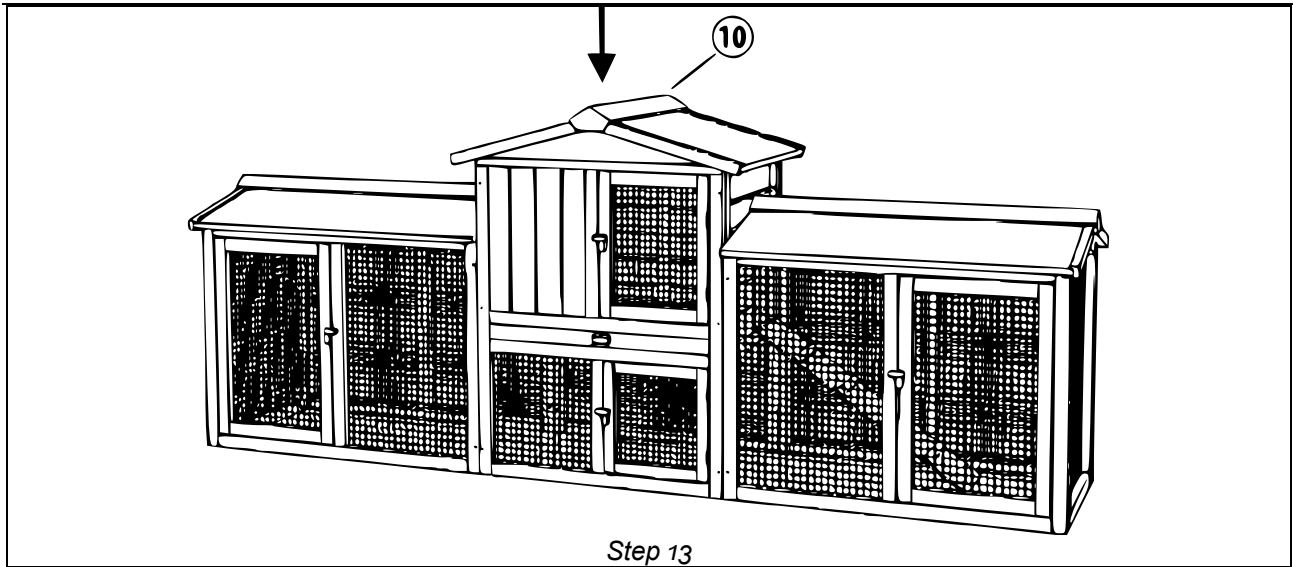
Step 3

B×4

Step 4

B×4





Important notice:

The reprint or reproduction, even of excerpts, and any commercial use, even in part, of this instruction manual require the written permission of WilTec Wildanger Technik GmbH.