

Instruction Manual

Garden Storage Box

51870

toboli



Illustration similar, may vary depending on model

Please read and follow the operating instructions and safety information prior to initial operation.

Technical changes reserved!

Illustrations, functional steps, and technical data may deviate insignificantly due to continuous further developments.



The information contained in this document may alter at any time without prior notice. No part of this document may be copied or otherwise duplicated without prior written consent. All rights reserved. WilTec Wildanger Technik GmbH cannot be held liable for any possible mistakes in this operating manual, nor in the diagrams and illustrations shown.

Although WilTec Wildanger Technik GmbH has made every possible effort to ensure that this operating manual is complete, accurate, and up-to-date, errors cannot be ruled out entirely.

If you have found an error or wish to suggest an improvement, we look forward to hearing from you. Send us an e-mail to:

service@wiltec.info

or use our contact form:

<https://www.wiltec.de/contacts/>

The most recent version of this manual in several languages can be found in our online shop:

<https://www.wiltec.de/docsearch>

Our postal address is:

WilTec Wildanger Technik GmbH
Königsbenden 12
52249 Eschweiler Germany

To return your goods for exchange, repair, or other purposes, please use the following address. Attention! To allow for a trouble-free complaint or return, it is important to contact our customer service team before returning your goods.

Retourenabteilung
WilTec Wildanger Technik GmbH
Königsbenden 28
52249 Eschweiler Germany



E-mail: **service@wiltec.info**
Phone: +49 2403 55592-0
Fax: (+49 2403 55592-15)

Introduction

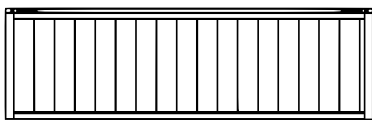
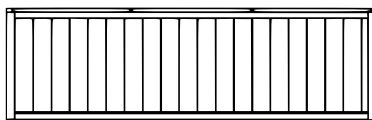
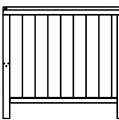
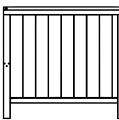
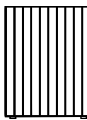
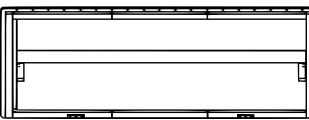
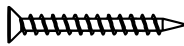


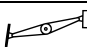
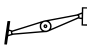
Thank you for choosing to purchase this quality product. To minimise the risk of injury, we ask you to always take some basic safety precautions when using this product. Please read this operating manual carefully and make sure that you understand it.

Keep these operation instructions in a safe place.

Safety instructions

-  When assembling the box, wear work gloves.
- When using an electric screwdriver to screw the screws in, set it to a low turning moment to avoid any damage of the screws and their thread. The last turns of the screws should be done at the end of the assembly and by hand.
- To avoid scratches, place the box on an appropriate base during assembly, e.g., a cardboard taken from the wrapping material.
- Make sure that the small pieces provided are kept out of children's reach.
- Do not use abrasive to clean the box.
- The box is not suitable for stowing aggressive chemicals, de-icing salt, or perishables.
- In case you remark transport damages on individual pieces, do not assemble the box, but contact the vendor first.
-  The box is not suitable to house human beings or animals. **Danger of suffocation!**

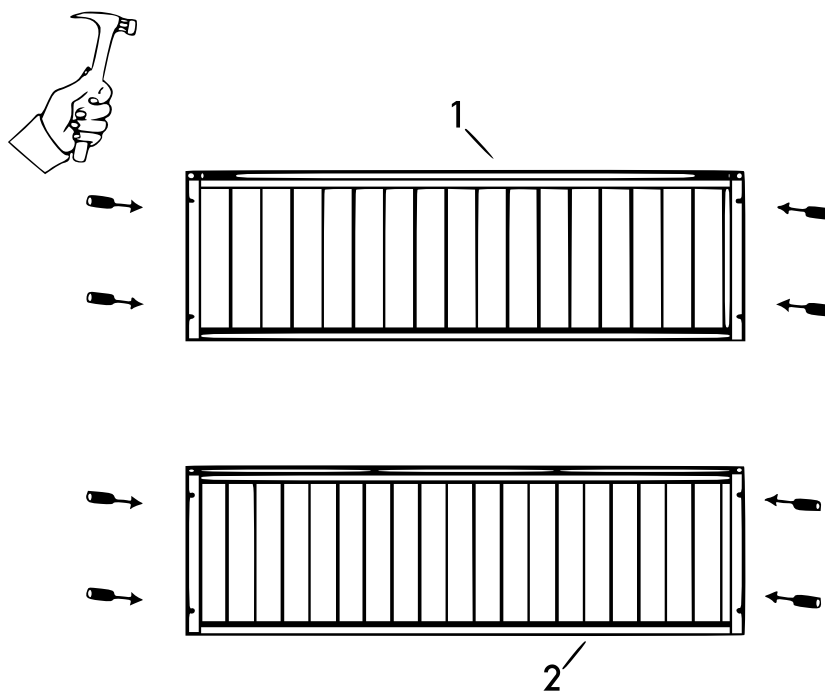
Parts list

Nº	Figure	Qty.	Nº	Figure	Qty.
1		1	2		1
3		1	4		1
5		2	6		1
A	 3.5×50 mm	8	B	 3.0×16 mm	12
C		8	L		1
R		1			

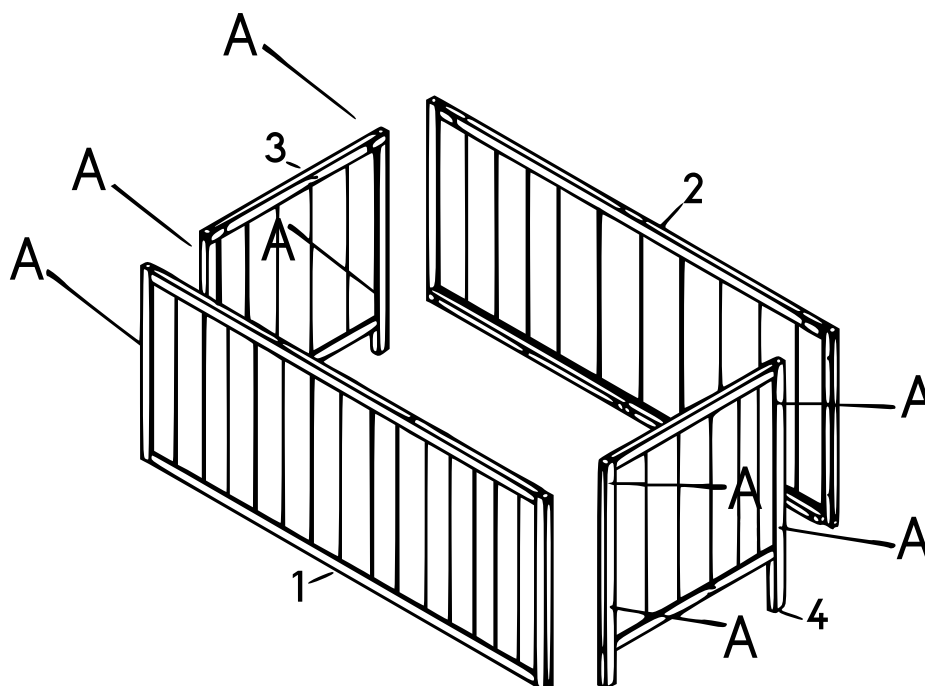
Assembly

An additional hammer is needed for assembly.

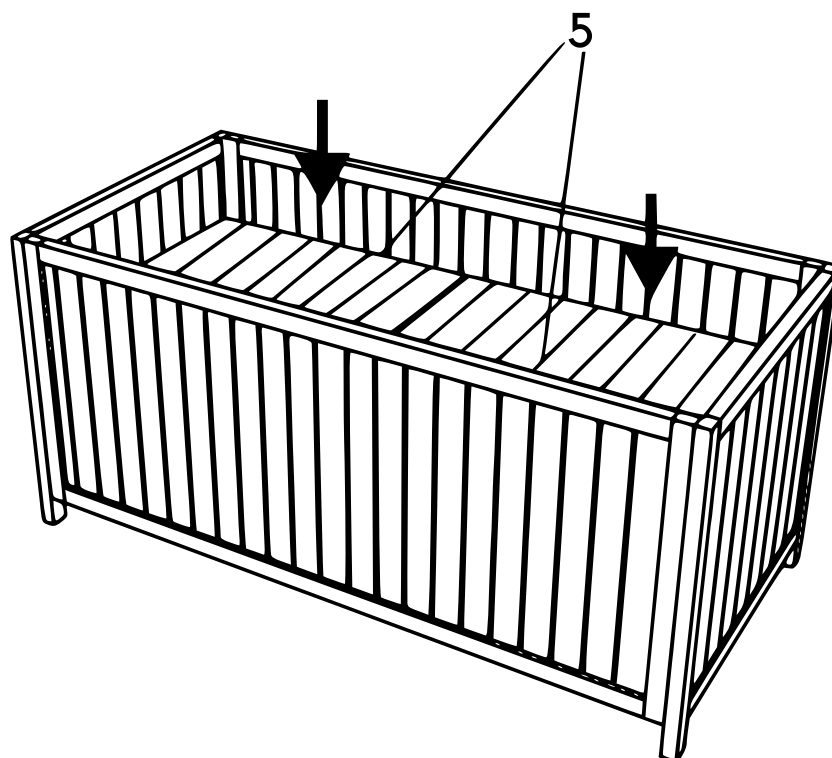
1st step



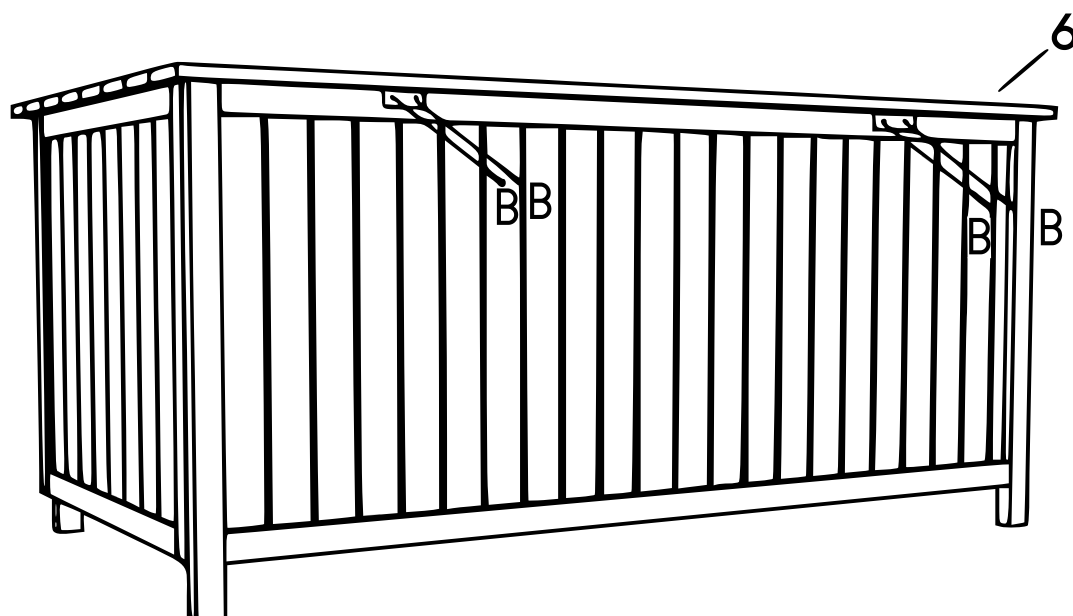
2nd step



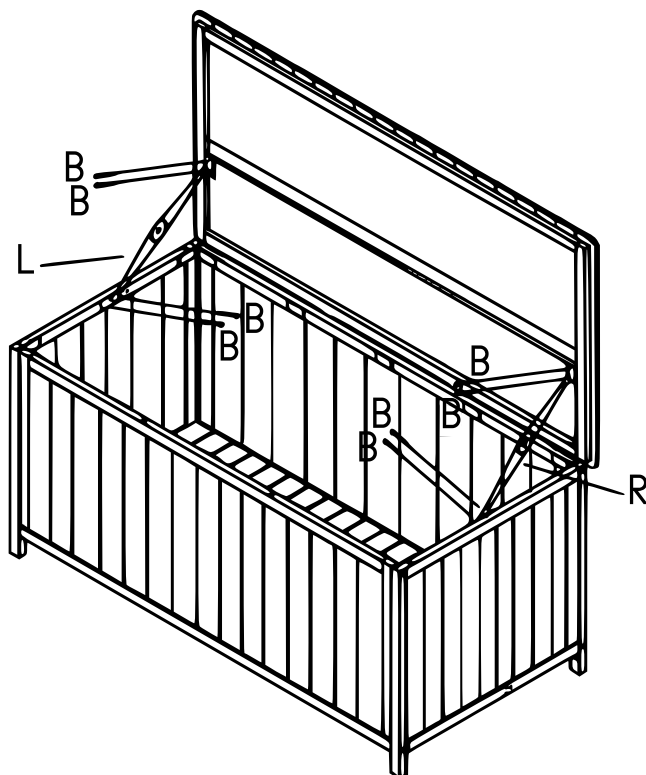
3rd step



4th step



5th step



Ready!

Important Note:

Reproduction and any commercial use (of parts) of this operating manual, requires a written permission of WilTec Wildanger Technik GmbH.