

Operation Manual

Tile Cutter

51975

XPO the **tool**
experts



Illustration similar, may vary depending on model

Read and follow the operating instructions and safety information before using for the first time.

Technical changes reserved!

Due to further developments, illustrations, functioning steps, and technical data can differ insignificantly.

Updating the documentation

If you have suggestions for improvement or have found any irregularities, please contact us.



The information contained in this document may alter at any time without previous notice. It is prohibited to copy or spread any parts of this document in any way without prior written allowance. All rights reserved.

The WilTec Wildanger Technik GmbH cannot be held accountable for any possible mistakes in this operating manual, nor in the diagrams and figures shown.

Even though, the WilTec Wildanger Technik GmbH has undergone biggest possible efforts to ensure that the operating manual is complete, faultless, and up to date, mistakes cannot be entirely avoided.

If you should find a mistake or wish to make a suggestion for improvement, we look forward to hearing from you.

Send an e-mail to:

service@wiltec.info

or use our contact form:

<https://www.wiltec.de/contacts/>

The most recent version of this manual in various languages can be found in our online shop via:

<https://www.wiltec.de/docsearch>

Our postal address is:

WilTec Wildanger Technik GmbH
Königsbenden 12
52249 Eschweiler
Germany

To return orders for exchange, repair, or other purposes, please use the following address. Attention! To allow for a smooth execution of your complaint or return, it is important to contact our customer service team before returning the goods.

Returns Department
WilTec Wildanger Technik GmbH
Königsbenden 28
52249 Eschweiler

E-mail: **service@wiltec.info**

Tel: +49 2403 55592-0

Fax: +49 2403 55592-15

Introduction

Thank you for purchasing this quality product. **To minimise the risk of injury we urge that our clients take some basic safety precautions when using this device. Please read the operation instructions carefully and make sure you have understood its content.** Keep these operation instructions safe.

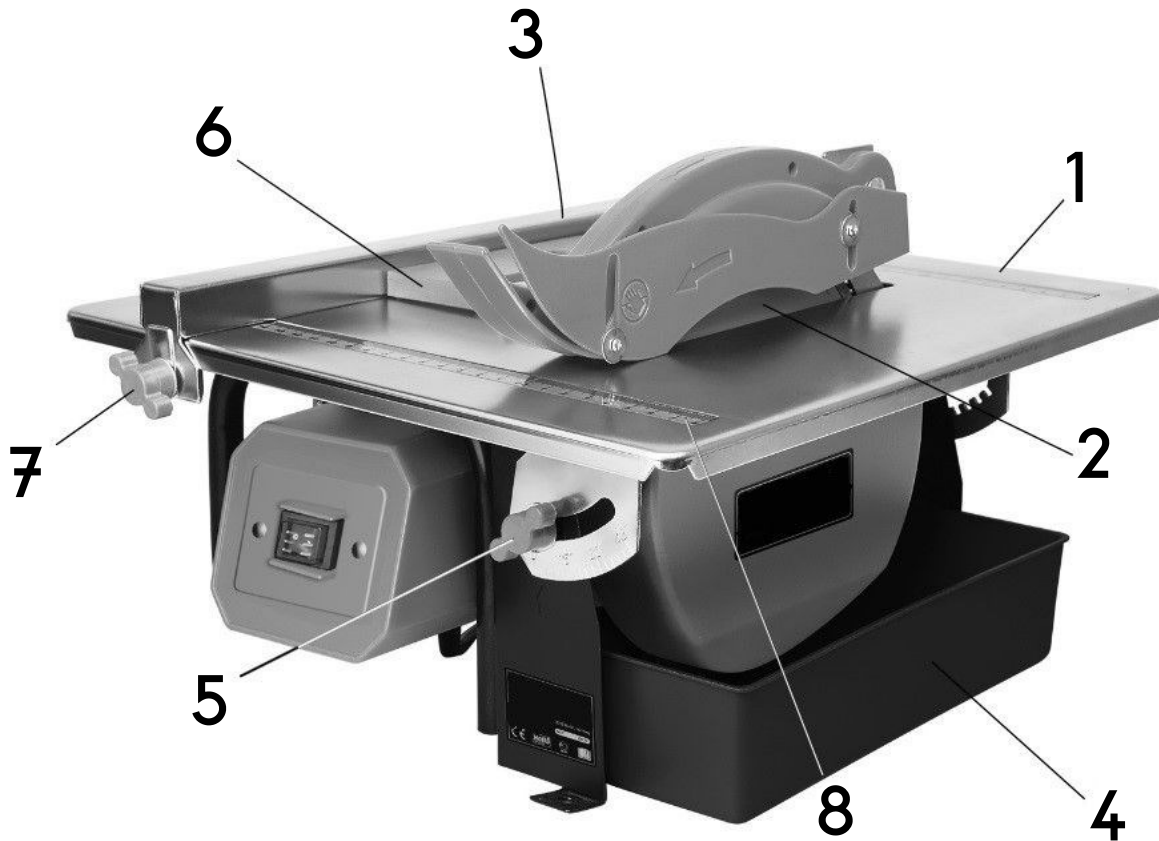


Figure 1

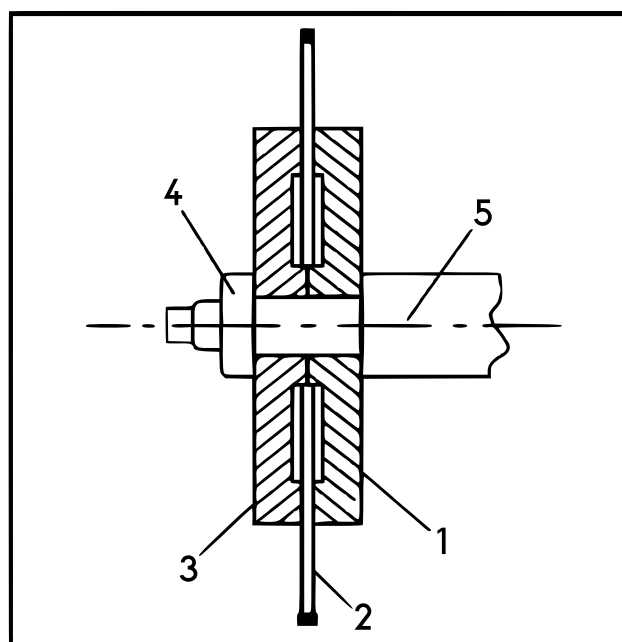


Figure 2



Technical specifications

Voltage (V)	230
Frequency (Hz)	50
Power consumption (W)	600
No load speed (1/min)	2950
Max. cut depth 90° (mm)	34
Max. cut depth 45° (mm)	18
Cutting angle (°)	0–45
Cutting blade dimensions (mm)	180×22.2
Table dimensions (mm)	330×360
Weight (kg)	8.2

Use

This tool is suitable for cutting various wall and floor tiles with a maximum tile size of 500×500×25 mm. The diamond wheel can be replaced by the customer. It is not permitted to use the tool for any other materials.

Safety instructions

These instructions use the following image:



Means a risk of physical injury, danger of life or the risk of damaging the machine if these instructions are ignored.

- Please read these instructions carefully before using this tool. Ensure you are familiar with the tool and its operation.
- Maintain this tool in accordance with the instructions to ensure it functions properly.
- Please keep these instructions for use and the safety instructions with the tool.

Safety measures

- Check your power tool for damage before starting your work, particularly the diamond blade.
- All parts must be fitted properly and must meet all requirements to guarantee a smooth operation of the tool.
- Any safety guards or any lightly damaged parts must be checked to see if they still function properly before continuing the use of the tool. Moving parts, and the diamond blade guard in particular, must be fitted properly and must not jam.
- Do not use tools that cannot be switched on or off with the switch.
- The diamond blade guard must not be jammed or removed.
- A jamming guard must be repaired immediately.
- The riving knife must not be removed.



Installing the tile cutter

- The tile cutter may only be used as a fixed tool and should be screwed to a level and horizontal surface. Please use the screw holes in the base of the machine.
- The electrical supply must be connected to a 230 V earthed wall socket. The mains voltage must comply with the information on the type plate and must be protected by a circuit breaker.
- Do not use the power cable to pull the plug from the socket. Protect the cable against heat, oil and sharp objects.



Only use accessories and auxiliary equipment mentioned in the instructions for use or recommended/mentioned by the manufacturer. Using other accessories or auxiliary equipment may carry a risk of injury for you and others.

Operation (fig. 1)

- Before starting the work, please ensure that there is sufficient water in the water tray **(4)**, i.e., the diamond blade runs through the water. During the work, the water tray must be filled up.
- Do not start working before the maximum speed has been reached.
- Diamond blades must NEVER be exposed to sideways pressure; they can break and flying pieces become projectiles!
- Do not attempt to cut extremely small pieces from the tiles. Always make sure that the full surface of the tile is on the work table. The supplied mitre guide can be used to push the tiles through the cutter. In the early stages of cutting in particular, the tile must remain absolutely level to avoid the tile from moving up.
- Do not overload your tool. It is better and safer to work within the indicated power range. Do not cut materials other than tiles.
- Maintain your tools carefully. Keep the tools sharp and clean to work properly and safely. Follow the maintenance instructions and the instructions for replacing the diamond blade.
- Stand safely and maintain your balance. Avoid any unnatural body angles. Remain alert and pay attention to your work. Use common sense. Do not use the machine when you cannot concentrate or when you are tired.

Full length adjustable fence (fig. 1)

The fence **(3)** enables you to cut parallel to the cutting blade. Set up: Loosen the knobs **(7)** and set the required distance. Tighten the knobs on both sides of the work table. The markers determine the measurements **(8)**.

Mitre guide (fig. 1)

The mitre guide has a variable setting between 0° and 45°. Loosen the knobs **(5)**, set the mitre by tilting the table **(1)** up until you have reached the required tilt. Tighten the knobs **(5)** again on both sides of the worktable.

Cleaning, maintenance, and repair

- Disconnect the mains plug after use, before cleaning, changing the cutting disc or the water tank.
- Please clean the tool immediately after use:
 - Disconnect the plug from the socket.
 - Remove the water tray from the machine and drain the dirty water.
 - Unscrew the splash guard and clean it.
 - Loosen the star-shaped knob, fold up the table and polish the entire machine.



- The machine complies with all current safety regulations. Repairs may only be carried out by an approved company because repair attempts by unqualified people may cause injuries to the user and bystanders. Regularly check the plug and the cable, and if they are damaged, they must be replaced by an approved company. Also check any extension cables. Damaged safety guards and switches must be replaced before the machine is used again.

Checking and replacing the diamond blade

- Cracked or distorted diamond blades must be replaced.
- Type of disk: a diamond blade with a diameter of 180mm.
- Do not use diamond blades that do not meet the specifications in these instructions.
- The mains plug must be disconnected before changing the window pane or before carrying out any adjustment or cleaning work.
- Ensure that the diamond blade is secured properly and rotates in the correct direction.
- To replace a worn disk, please take the following steps (**fig. 2**):
 - Disconnect the plug from the socket.
 - Remove the water tray (**4, fig. 1**) from the machine.
 - Loosen the fixing bolts of the splash guard and remove the splash guard.
 - Loosen the blade fixing nut (**4, fig. 2**).
 - Remove the counter flange (**3, fig. 2**) and blade (**2, fig. 2**) and push the new blade on the flange (**1, fig. 2**). Consider the rotation direction indicated on the blade. Attach the counter flange (**3, fig. 2**).
 - Tighten the fixing nut (**4, fig. 2**) and the splash guard.
 - Ensure that no tools remain on the splash guard.

Old electrical tools and the environment

If your electrical tools have been used so intensively that they need to be replaced or if you no longer use them, please consider the environment when you dispose of them. Electrical devices should not be discarded with household waste, but should be recycled. For more information, please contact your local authority.

Disposal regulations

EU guidelines regarding the disposal of scrap electric appliances (WEEE, 2012/19/EU) were implemented in the law related to electrical and electronic equipment and appliances.

All WiITec electric devices that fall under the WEEE regulations are labelled with the crossed-out wheeled waste bin logo. This logo indicates that this electric equipment must not be disposed with the domestic waste.

The company WiITec Technik GmbH has been registered in the German registry EAR under the WEEE-registration number DE45283704.

Disposal of used electrical and electronic appliances (intended for use in the countries of the European Union and other European countries with a separate collection system for these appliances).

The logo on the article or on its packaging points out that this article must not be treated as normal household waste but must be disposed to a recycling collection point for electronic and electrical waste equipment. By contributing to the correct disposal of this article you protect the environment and the health of your fellow men. Environment and health are threatened by inappropriate disposal.



Material recycling helps reduce the consumption of raw materials.

Additional information on recycling this article can be provided by your local community, municipal waste disposal facilities, or the store where you purchased the article.

Address:
WiITec Wildanger Technik GmbH
Königsbenden 12 / 28
D-52249 Eschweiler

Important notice:

The reprint or reproduction, even of excerpts, and any commercial use, even in part, of this instruction manual require the written permission of WiITec Wildanger Technik GmbH.