

# User's manual

## CDF-series Pond Pumps

52019–52024



Illustration similar, may vary depending on model

Please read and follow the operating instructions and safety information prior to initial operation.

Technical changes reserved!

Illustrations, functional steps, and technical data may deviate insignificantly due to continuous further developments.



The information contained in this document may alter at any time without prior notice. No part of this document may be copied or otherwise duplicated without prior written consent. All rights reserved.

WilTec Wildanger Technik GmbH cannot be held liable for any possible mistakes in this operating manual, nor in the diagrams and illustrations shown.

Although WilTec Wildanger Technik GmbH has made every possible effort to ensure that this operating manual is complete, accurate, and up-to-date, errors cannot be ruled out entirely.

If you have found an error or wish to suggest an improvement, we look forward to hearing from you.

Send us an e-mail to:

[service@wiltec.info](mailto:service@wiltec.info)

or use our contact form:

<https://www.wiltec.de/contacts/>

The most recent version of this manual in several languages can be found in our online shop:

<https://www.wiltec.de/docsearch>

Our postal address is:

WilTec Wildanger Technik GmbH  
Königsbenden 12  
52249 Eschweiler – Germany

To return your goods for exchange, repair, or other purposes, please use the following address. Attention! To allow for a trouble-free complaint or return, it is important to contact our customer service team before returning your goods.

Retourenabteilung  
WilTec Wildanger Technik GmbH  
Königsbenden 28  
52249 Eschweiler – Germany

E-mail: **service@wiltec.info**

Tel: +49 2403 55592-0

Fax: +49 2403 55592-15



## Introduction

Thank you for choosing to purchase this quality product. To minimise the risk of injury, we ask you to always take some basic safety precautions when using this product. Please read this operating manual carefully and make sure that you understand it.

Keep these operation instructions in a safe place.

### CAUTION:

In and near standing water, garden ponds, and swimming ponds, the use of this device is only allowed with a fault current protection switch with a triggering nominal current up to 30 mA (according to VDE 0100 Article 702 and 738).

The device is not suitable for use in swimming pools, paddling pools of any kind, or bodies of water in which people or animals may stay during operation. Operation of the device with people being in the danger area is not permitted. Ask an electrician, if necessary.

The device is not intended for use by persons (including children) with impaired or limited physical, sensory and mental abilities or lack of experience and/or real knowledge, unless they are supervised by a person responsible for their safety or follow the instructions made by this person on how to correctly use the device.

Children should be supervised to ensure that they do not play with the device.

### ATTENTION:

- Perform a visual inspection of the device before every use. Do not use the device if the safety appliances are damaged or worn out. Never override safety regulations.
- Only use the device accordingly to the intended purpose stated in this manual.
- You are responsible for the safety of the working zone.
- If the cable or the plug is damaged due to external influences, the cable must not be repaired. It must be replaced with a new one. This work may only be carried out by a qualified electrician.
- The voltage of 230 V AC indicated on the nameplate of the device must match the existent mains voltage.
- Never lift, carry, or fix the device by using the power cable.
- Make sure that the electric plug connections are protected from flood and humidity.
- Always unplug the device before working on it.
- The user is responsible for complying with local safety and mounting regulations. Ask an electrician, if necessary.
- The user must take appropriate measures (e.g., installation of an alarm system, a reserve pump, etc.) to prevent damage caused by the flooding in case of device malfunctioning.
- In case of device failure, repairs can only be carried out by an electrician.
- The device must never run dry or be operated with its suction line fully closed.
- Do not use this device to operate swimming pools.
- This device must not be integrated into any kind of domestic water circuit meant for potable water.

### WARNING:

Read all safety precautions and instructions. Failure to obey the safety precautions and instructions might cause an electric shock, a fire, and/or severe injuries.

Keep all safety precautions and instructions for future use.

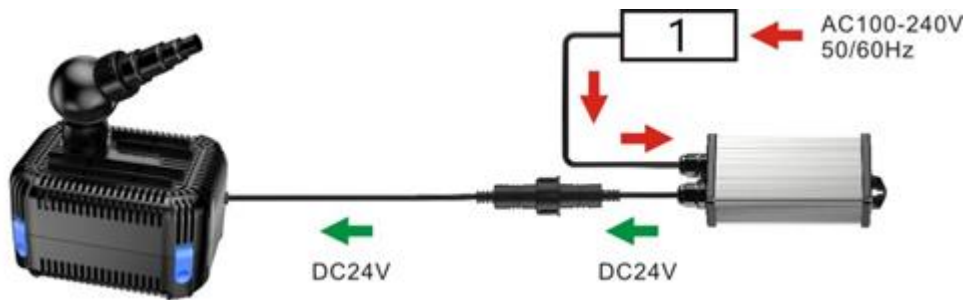
## Resistance

- The maximum temperature of the pumped liquid should not exceed +35 °C in continuous operation.

- The transport of aggressive fluids (acids, bases, etc.) as well as of abrasive substances (e.g., sand) must be avoided.

### Electrical connection

- The electrical connection is made to an earthed socket 230 V ~ 50 Hz. Fuse min. 6 A.
- The motor is protected from overcharge and blockage with the help of the built-in thermal motor protection. When overheated, the pump motor is automatically switched off by the thermal protection; after cooling down, the pump automatically re-starts.



1	Mains plug
---	------------

### Properties

- Suitable for ponds, creeks, or garden use
- With low DC voltage of 24 V and frequency conversion technology
- Extensive water inlet, large water intake zone with good pump and filtration effect
- High-quality ceramic shaft core and ceramic shell, higher wear resistance, no rust, suitable for sweet water and saltwater, without copper elements
- With intelligent IC plug ensuring several protection features (protection when rotor is blocked, protection against dry running, overload protection, and overvoltage protection)
- Dismounting without tools, easy to clean
- Outlet turnable through 360° (see fig.) and also suitable for connecting tubes of different diameters

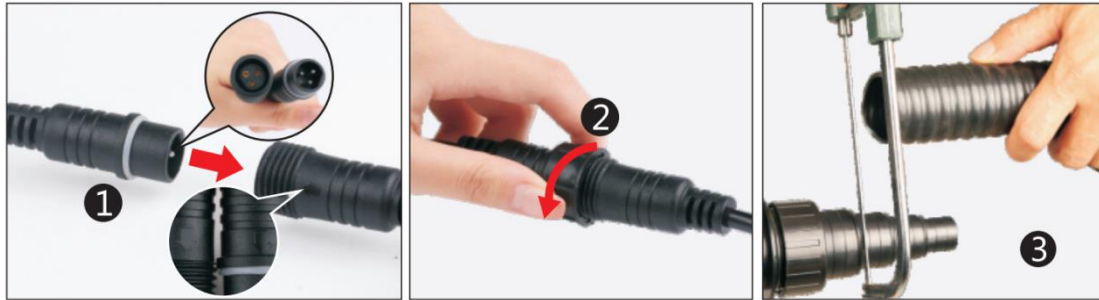


### Installation

#### Commissioning

1. Read the manual and familiarise yourself with the device before using it.

2. Connect the pump with the adaptor of the three-wire cable and tighten the nut. **Note!** The arrows must match after connection (see figg. 1 and 2).
3. This product has stepped water outlets. To avoid flow loss, the sizes of the water outlet that you shall not use should be sawn off accordingly to the size of the hose (see fig. 3).



4. Install the pump in a horizontal position and on a firm ground, at a minimum depth of 20 cm beneath the water surface. However, respect the admissible maximum immersion depth.
5. Do not place the pump directly into the mud of the bottom of the pond; place it on a raised surface.
6. Place the cable in a safe manner to exclude any danger of it being damaged.
7. Connect the pump to the power supply.

 **ATTENTION:**

- Never operate the pump without its basket. The filter basket protects the pump against any coarse dirt that might provoke an obstruction.
- Never operate the pump without water (dry run). The bearing of the pump would be damaged.

*Additional installation notes*

The performance values stated have always been measured at the outlet of the pump (without hose connected and accessories). To achieve the best pump performance, the hose connections should be as short as possible. Bends, angles, and other connection elements should be reduced to a minimum; they reduce the performance of the pump.

**Maintenance**

1. Follow the safety instructions.
2. Use a soft brush and flowing water to clean the filter housing on a monthly basis or in case the pumping power diminishes.
3. Clean the pump as well if it is used regularly.

*Maintenance hints*

The pond motor pump is a practice-proven quality product subjected to rigorous final inspections. However, for a long working life and continuous operation, we recommend regular checking and proper care. To ensure proper operation of the pump, it is necessary that you perform regular cleaning. We recommend that the pump be cleaned on a weekly basis.

*Cleaning the pump*

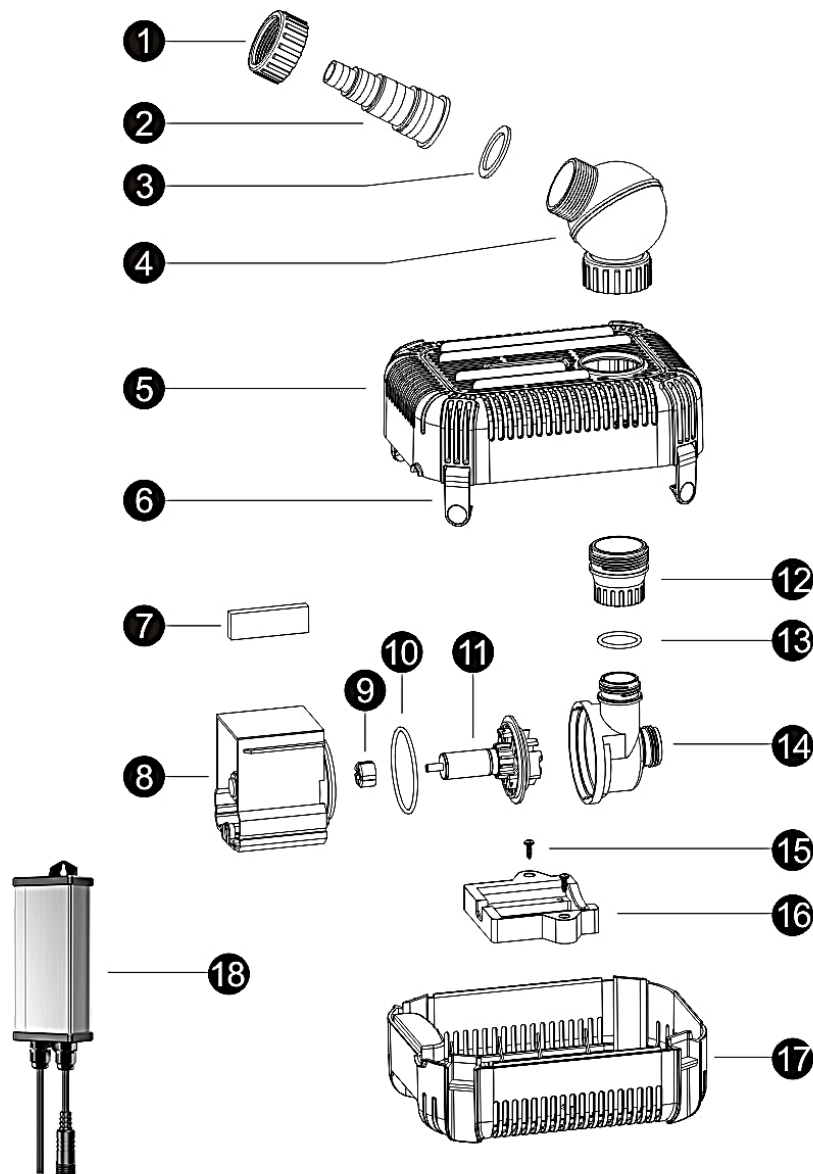
1. Turn the fixing nut of the outlet counter-clockwise and remove the outlet of the pump (fig. 1).
2. Open the four brackets found at the edge of the casing and remove the upper filter basket (fig. 2 and 3).
3. Turn the rotor chamber and take it out (figg. 4 and 5).
4. Extract the parts of the rotor in the direction of the arrow to clean or replace them (fig. 6).
5. Make sure that the O-ring is located correctly (fig. 7).



#### Storage during winter

1. Take the pump out of the water and disconnect it from the power supply.
2. Clean the pump as described in the instructions.
3. Check the pump for damage such as cracks in the housing.
4. Store the pump under frost-free condition and, if possible, in a container with water. **Attention!** Never immerse the power plug into the water!

Main parts



Nº	Name	Nº	Name	Nº	Name	Nº	Name
1	Outlet nut	6	Lock	11	Rotor parts	16	Support
2	Outlet	7	Rubber edge	12	Outlet adaptor	17	Lower filter basket
3	Gasket	8	Rotor	13	O-ring 2	18	Adapter
4	Joint	9	Bearing	14	Rotor		
5	Upper filter basket	10	O-ring 1	15	Screw		



## Technical specifications

Item number	Model	Power supply	Power consumption (W)	Delivery head (m)	Max. flow rate (l/h)	Length of cable (m)	Hose adaptor (inch)
52019	CDF-6000	230 V / 50 Hz	40	2.8	3600	10+2	1/4
52021	CDF-8000		65	5.8	8000		1/2
52023	CDF-3800		20	2.8	3600		3/4
52024	CDF-5800		40	4.6	5000		1

## Troubleshooting

Problem	Possible cause	Proposed solution
Pump does not switch on	No power supply	Check circuit.
Pump does not deliver any water.	Filter basket obstructed	Clean filter basket.
	Rotor blocked	Clean pump.
Insufficient delivery of water	Filter basket obstructed	Clean filter basket.
	Excessive pressure loss in the supply lines	Reduce hose lengths to the necessary minimum, do not use unnecessary connection parts.
Pump switches itself off after short running period	Water temperature too high	Make sure that water temperature does not exceed +35 °C.
	Rotor blocked	Pull out plug and re-plug it.



## Regulations for waste disposal

The Waste Electrical and Electronic Equipment Directive (WEEE Directive, 2012/19/EU) of the EU was implemented in the German law related to electrical and electronic equipment and appliances.

All WilTec electric devices that fall under the WEEE directive are labelled with the symbol of a crossed-out wheeled rubbish bin. This symbol indicates that this electric device must not be disposed of with the domestic waste.

WilTec Technik GmbH is registered with the German registration authority EAR (Stiftung Elektro-Altgeräte Register) under the WEEE-registration number DE45283704.

Disposal of used electrical and electronic devices (intended for use in the countries of the European Union and other European countries with a separate waste collection system for these devices).

The symbol on the packaging or the product itself indicates that this product must not be treated as normal domestic waste but must be disposed of at a recycling collection station for electrical and electronic waste.

By disposing of this product correctly, you contribute to the protection of the environment and the health of your fellow people. Inappropriate disposal threatens the environment and health.



Material recycling helps to reduce the consumption of raw materials.

Additional information about the recycling of this product can be provided by your local commune, the municipal waste disposal facilities, or the store where you purchased the product.

Address:  
 WilTec Wildanger Technik GmbH  
 Königsbenden 12 / 28  
 52249 Eschweiler Germany

Important note:

Reproduction and any commercial use (of parts) of this operating manual, requires a written permission of WilTec Wildanger Technik GmbH.