

Operation Manual

SunSun CMP-28000 High-performance Pond Pump 52022



Illustration similar, may vary depending on model

Read and follow the operating instructions and safety information before using for the first time.

Technical changes reserved!

Due to further developments, illustrations, functioning steps and technical data can differ insignificantly.

Updating the documentation

If you have suggestions for improvement or have found any irregularities, please contact us.



The information contained in this document may alter at any time without previous notice. It is prohibited to copy or spread any parts of this document in any way without prior written allowance. All rights reserved.

The WilTec Wildanger Technik GmbH cannot be held accountable for any possible mistakes in this operating manual, nor in the diagrams and figures shown.

Even though, the WilTec Wildanger Technik GmbH has undergone biggest possible efforts to ensure that the operating manual is complete, faultless, and up to date, mistakes cannot be entirely avoided.

If you should find a mistake or wish to make a suggestion for improvement, we look forward to hearing from you.

Send an e-mail to:

service@wiltec.info

or use our contact form:

<https://www.wiltec.de/contacts/>

The most recent version of this manual in various languages can be found in our online shop via:

<https://www.wiltec.de/docsearch>

Our postal address is:

WilTec Wildanger Technik GmbH
Königsbenden 12
52249 Eschweiler
Germany

To return orders for exchange, repair, or other purposes, please use the following address. Attention! To allow for a smooth execution of your complaint or return, it is important to contact our customer service team before returning the goods.

Returns Department
WilTec Wildanger Technik GmbH
Königsbenden 28
52249 Eschweiler

E-mail: **service@wiltec.info**

Tel: +49 2403 55592-0

Fax: +49 2403 55592-15



Introduction

Thank you for purchasing this quality product. **To minimise the risk of injury we urge that our clients take some basic safety precautions when using this device. Please read the operation instructions carefully and make sure you have understood its content.**

Keep these operation instructions safe.

Safety guidelines



Beware

- The use of this device is only allowed in standing water bodies, garden ponds or swimming ponds and their surrounding areas with a fault current protection-switch with a triggering nominal current up to 30 mA (according to VDE 0100 Article 702 and 738).
- The device is not suitable for use in swimming pools, paddling pools, and other water bodies, where people might be during operation. Operating the device while people are within the danger zone is not allowed. Ask your electrician!
- The device is not intended for use by people (including children) with impaired or limited physical, sensory, and mental abilities or lack of experience and/or knowledge, unless they are supervised by a person responsible for their safety or follow the instructions stated by this person on how to use the device correctly.
- Children should be supervised to make sure that they do not play with the device.



Attention!

- Run a visual inspection of the device before every use. Do not use the device if the safety appliances are damaged or worn out. Never override safety regulations.
- Use the device exclusively according to the intended purpose stated in these instructions.
- You are responsible for the safety of the working environment.
- If the cable or the plug is damaged due to external influences the cable must not be repaired! It must be replaced with a new one. This work may only be carried out by an electrician.
- The voltage indicated on the type label of the device of 230 V AC must correspond to the existent mains voltage.
- Never lift, carry, or fix the device by its power cable.
- Make sure that the electrical plug connection is protected from flood and moisture.
- Before working on the pond pump, disconnect the appliance by taking the plug out of the socket.
- Avoid exposing the appliance to a direct water jet or rain.
- The user is responsible for the compliance with local specific safety and installing regulations. (Ask an electrician.)
- Damage arising from flooded rooms caused by dysfunctions of the appliance must be avoided by means of the appropriate measures (e.g., by installing an alarm system, a reserve pump).
- In case of malfunction, the repair work can only be carried out by a qualified electrician.
- The appliance must not run dry or with a completely closed intake line. The manufacturer's warranty is no longer valid if the damage is caused by dry running.
- The appliance must not be used for swimming pools.
- The device cannot be employed for potable water circuits.

Note! In the event of an overload (e.g., if the impeller jams), the internal thermal protection automatically switches off the pump. After disconnecting and reconnecting the power supply, the pump can be restarted.

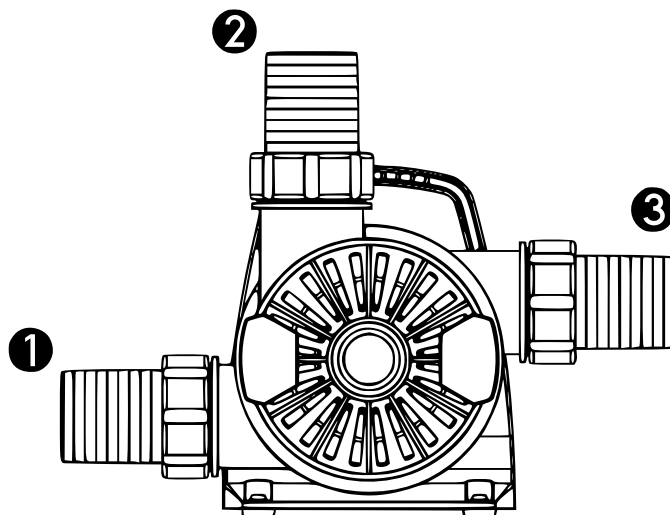
Warning! Read all safety notes and the instructions thoroughly. Non-compliance with the safety rules and regulations can lead to an electric shock, fire and/ or serious injury. Keep the instructions and the safety notes in a safe place for future reference.

Applications

- You can pump pond water with a temperature of +4 °C to +35 °C.
- The pump can be used in the following places:
 1. Filtration systems in garden ponds
 2. Aquaculture of seafood
 3. Operation of a waterfall
 4. Implementation in garden ponds and koi ponds or fish ponds

Features

1. High flow rate, low energy consumption, energy saving and environmental protection.
2. Stable and quiet operation, excellent performance, and long service life.
3. With built-in heat protection.
4. High quality ceramic shaft core and ceramic sleeve provides higher wear resistance.
5. Ergonomic handle for easy transport.
6. Outlet can be adjusted in three angles of 0°, 90° and 180° to meet different requirements (as shown in the picture).



Commissioning

1. Read and understand the safety instructions before operating the unit.
2. Pass a rope through the handle and secure it to pull the pump out of the water if necessary.
3. Make the necessary hose connections (if required) or install a fountain attachment. After installation, make sure that there are no air bubbles in the hose system (lay hose lines at an angle).
4. Install the pump horizontally on a firm base and at least 20 cm below the water surface. Observe the maximum permissible immersion depth.
5. Do not place the pump directly in the mud of the pond bottom, but on a raised surface.
6. Lay the mains cable in a protected location to avoid the possibility of damage.
7. Connect the mains plug of the pump to the mains.

Important notes!

- Never operate the pump without the filter basket. The filter basket protects the pump from coarse dirt that can lead to clogging of the pump.
- Never operate the pump without water, otherwise the pump bearing will be destroyed.

Additional installation notes

The indicated capacities are always measured directly at the pump outlet (without hose connection and accessories). To achieve the highest possible pump performance, hose connections should be kept as short as possible. Bends, elbows, and other connecting elements should be kept to a minimum as they reduce the pump performance.

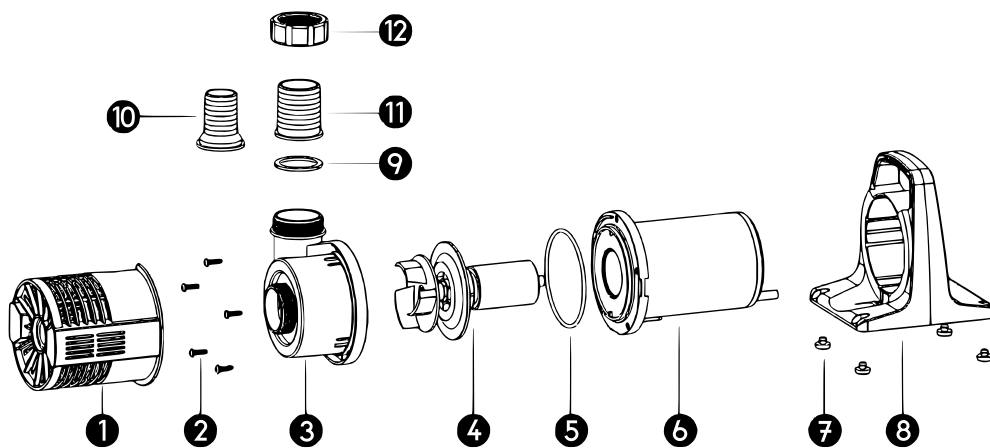
Maintenance and cleaning

- Clean the filter housing with a soft brush under running water every month or when the pump output is reduced.
- In case of frequent use, the pump should also be cleaned regularly.

Cleaning the pump

1. Dismount the filter basket.
2. Clean the pump under running water using a soft brush.
3. If necessary, remove dirt from the impeller after removing the impeller chamber.

Exploded view and parts list



No	Name	No	Name
1	Filter basket	7	Rubber pads
2	Screw	8	Handle
3	Impeller Chamber	9	Gasket
4	Impeller	10	38 mm (1½") outlet
5	O-Ring	11	50 mm (2") outlet
6	Motor	12	Outlet fixing nut

Winter care

1. Remove the pump from the water.
2. Clean the pump thoroughly.
3. Check the pump for damage.
4. Store the pump frost-free, if possible, in a container with water.

Caution! The connection plug must not be immersed.



Technical data

Model	CMP-28000
Energy supply	220–240 / 50
Power (W)	580
Max. immersion depth (m)	7.5
Flow rate (l/h)	28,000
Outlet (mm)	38 / 50
Cable length (m)	10
Dimensions (mm)	360 × 159 × 248

Troubleshooting

Malfunction	Possible cause	Possible solution
Pump does not turn on	There is no power	Check electrical circuit.
Pump does not displace water	1. Filter basket blocked	1. Clean filter basket.
	2. Impeller blocked	2. Clean pump.
Insufficient water displacement	1. Filter basket is blocked	1. Clean filter basket.
	2. Excessive loss in the supply lines	2. Reduce hose lengths to the minimum required, do not use unnecessary connecting parts.
The pump turns off after running for a short time	1. Water temperature too high	1. Ensure that the water temperature does not exceed +35 °C.
	2. Impeller stuck	2. Unplug and plug the power supply of the pump.

Disposal regulations

EU guidelines regarding the disposal of scrap electric appliances (WEEE, 2012/19/EU) were implemented in the law related to electrical and electronic equipment and appliances.

All WiITec electric devices that fall under the WEEE regulations are labelled with the crossed-out wheeled waste bin logo. This logo indicates that this electric equipment must not be disposed with the domestic waste.

The company WiITec Technik GmbH has been registered in the German registry EAR under the WEEE-registration number DE45283704.

Disposal of used electrical and electronic appliances (intended for use in the countries of the European Union and other European countries with a separate collection system for these appliances).

The logo on the article or on its packaging points out that this article must not be treated as normal household waste but must be disposed to a recycling collection point for electronic and electrical waste equipment. By contributing to the correct disposal of this article you protect the environment and the health of your fellow men. Environment and health are threatened by inappropriate disposal.



Material recycling helps reduce the consumption of raw materials.

Additional information on recycling this article can be provided by your local community, municipal waste disposal facilities, or the store where you purchased the article.

Address:
 WiITec Wildanger Technik GmbH
 Königsbenden 12 / 28
 D-52249 Eschweiler

Important notice:

The reprint or reproduction, even of excerpts, and any commercial use, even in part, of this instruction manual require the written permission of WiITec Wildanger Technik GmbH.